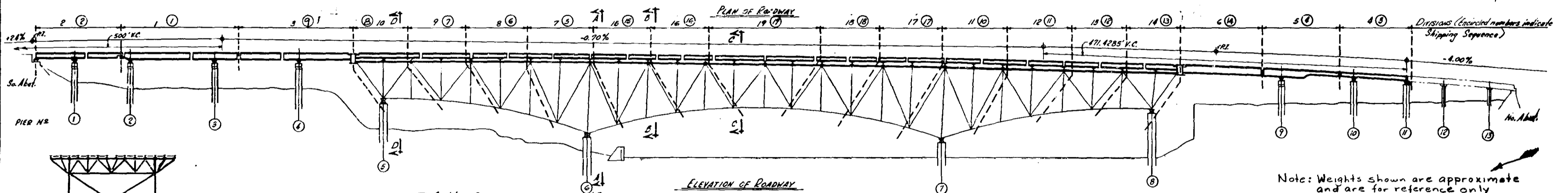
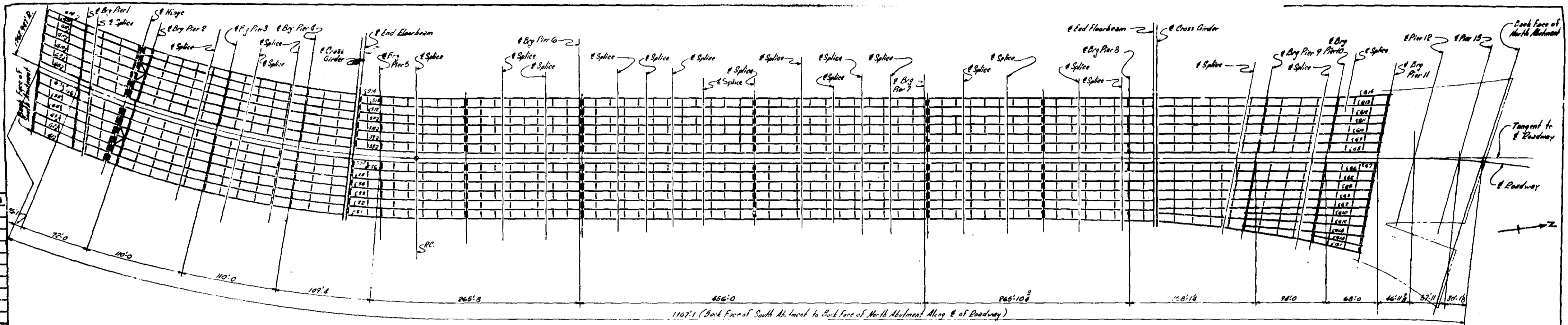


X	0	1	2	3
1				
2				
3				
4				
5				
6				
7				
8				
9				

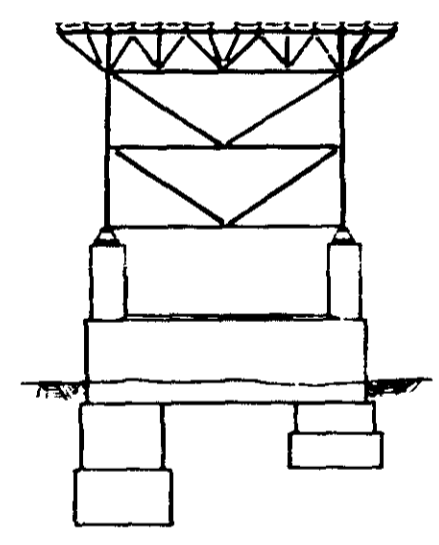
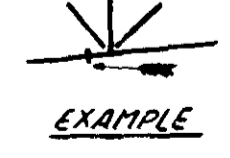


Note: Weights shown are approximate and are for reference only

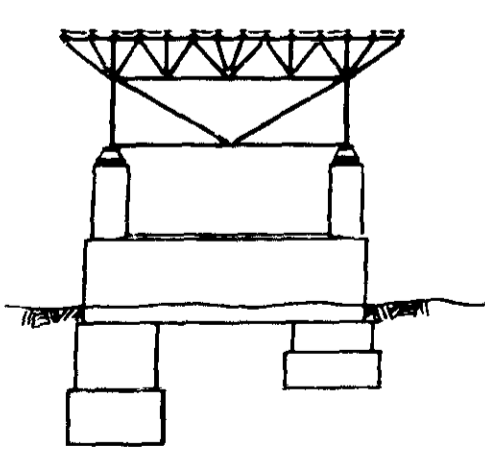
ESTIMATED WEIGHT OF STRUCTURAL STEEL

- DIV 1 = 262-TON
- 2 = 131 "
- 3 = 210 "
- 4 = 133 "
- 5 = 257 "
- 6 = 247 "
- 7 = 374 "
- 8 = 208 "
- 9 = 188 "
- 10 = 302 "
- 11 = 374 "
- 12 = 208 "
- 13 = 188 "
- 14 = 302 "
- 15 = 248 "
- 16 = 219 "
- 17 = 248 "
- 18 = 219 "
- 19 = 363 "
- BRGS & EXP. DEVS = 199 "
- TOTAL = 4880

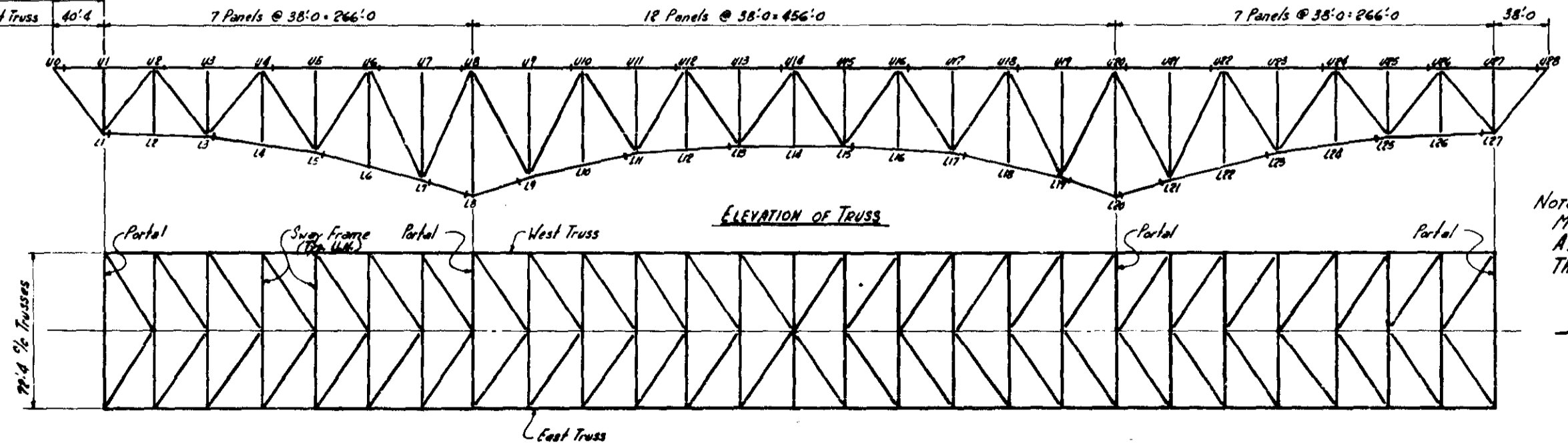
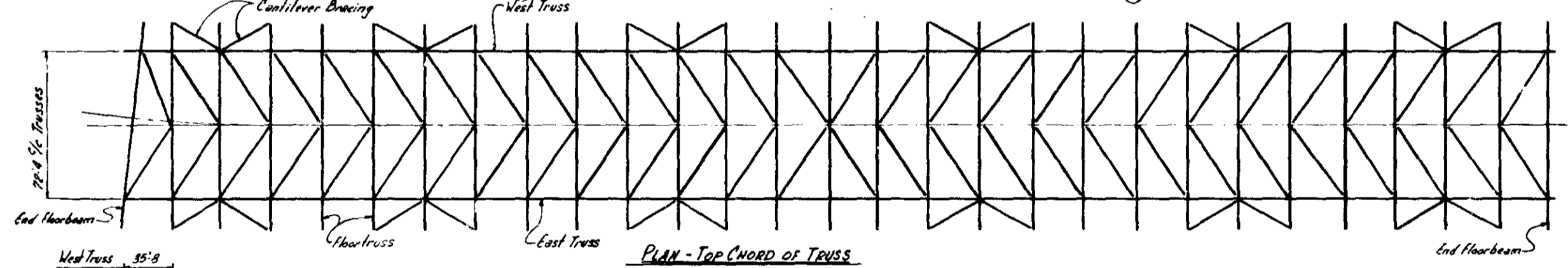
Note: Main Gusset Pls To Be Permanently Attached In The Shop To The Member That Has A Short Line Near The End.



SECTION B-B (Similar)
(At LG-110 & 112-122)



SECTION C-C (Similar)
(At LG-65, 16-117 & 129-136)



PLAN - BOTTOM CHORD OF TRUSS

OPEN HOLES	RIVETS & BOLTS	TAINT
DRAWN BY: CH	DATE: 11-29-66	CHECKED BY: J.N. DATE: 11/16/66
REVISIONS	3/28/66	
MINN. PROJ. NO. I-IG35W-3 (SB) 112 STATE PROJ. NO. 2783-9340B (TH35W-394)		
ALLIED ENGINEERS FABRICATORS & ERECTORS STRUCTURAL STEEL COMPANY 1425-1430 STREET, HAMBURG, INDIANA 46028		
DETAILS OF GENERAL ARRANGEMENT PLAN, ELEVATION & SECTIONS STRUCTURE: BRIDGE No. 9340 OVER THE MISSISSIPPI RIVER LOCATION: MINNEAPOLIS, MINNESOTA OWNER: MINNESOTA HIGHWAY DEPARTMENT CUSTOMER: MINNESOTA HIGHWAY DEPARTMENT		
CONTRACT 9142	FABCOD	SHEET A1

TABLE OF CONTENTS - DECK TRUSS SPANS U.N.

GENERAL NOTES - DECK TRUSS SPANS

SPEC'S: WORKMANSHIP & MATERIAL PER M.H.D. SPEC'S DATED JAN. 1, 1964 & SPECIAL PROVISIONS.
MAT'L: ALL MAT'L SHALL BE DESIGNATED AS TO M.H.D. SPEC'S NO. ON EACH DRWG. THE SPECIAL PROVISIONS ARE TO BE CONSULTED FOR MODIFICATIONS.

COLOR CODE: M.H.D. - 3306 - DARK GREEN
 M.H.D. - 3309 - LEMON YELLOW
 M.H.D. - 3310 - ORANGE
 M.H.D. - 3318 - SILVER ALUMINUM

RIVETS: RIVET SIZES ARE AS NOTED ON DETAILS. ALL 7/8" RIV. SHALL BE CARBON STEEL CONFORMING TO M.H.D. - 3316, TYPE I. ALL 1" RIVETS SHALL BE HIGH STRENGTH LOW ALLOY STEEL RIVETS CONFORMING TO M.H.D. 3316, TYPE II, WITH ALTERNATE REQUIREMENTS OF A.S.T.M. DESIGNATION A406.

REAMING: GENERAL REAMING IN ACCORDANCE WITH THE REQUIREMENTS OF M.H.D. 2471.3E1C, EXCEPT AS MODIFIED IN THE SPECIAL PROVISIONS. HOLES MARKED R.A. SHALL BE SUB-PUNCHED OR SUB-DRILLED & REAMED TO SIZE WITH ALL MEMBERS FULLY ASSEMBLED AS PER SPECIAL PROVISIONS. HOLES MARKED R.T. SHALL BE SUB-PUNCHED OR SUB-DRILLED 1/4" & REAMED TO SIZE THROUGH A STEEL TEMPLATE AS PER SPECIAL PROVISIONS. HOLES MARKED R.F. SHALL BE SUB-PUNCHED OR SUB-DRILLED & REAMED TO SIZE IN THE FIELD. ALL OTHER HOLES TO BE FULL SIZE.

PAINTING: ONE COAT PRIMER, ORANGE M.H.D. 3509 UNLESS NOTED.

SHOP PRACTICE: INTERIOR & RE-ENTRANT CUTS TO BE AS PER M.H.D. 2471.3C4. EDGE FINISHING TO BE AS PER M.H.D. 2471.3D4. M.H.D. 2471.3L4 AND SPECIAL PROVISIONS. U.N. PLATES TO BE USED FOR FLANGE PLATES OF FLOOR BEAMS, BUILT-UP H SECTIONS, WEB COVERS OF BOX SECTS & SPLICE RS. SEE M.H.D. 2471.3E2 AND SPECIAL PROVISIONS. SHOP INSPECTION BY M.H.D.

FIELD CONNECTIONS: THE SPLICES OF THE CONTINUOUS DECK STRINGERS AND THE STRINGER CONN. TO THE FLOOR TRUSSES & THE EXPANSION DEVICE CASTINGS ARE TO BE 7/8" HIGH STRENGTH BOLTS, M.H.D. 3331-B, STYLE II. ALL OTHER FIELD CONNECTIONS ARE TO BE RIVETED.

WELDING: WELDING WILL BE AS INDICATED ON EACH DRWG & AS SHOWN IN WELDING PROCEDURES AS PER M.H.D. 2471.3J AND SPECIAL PROVISIONS. WELD INSPECTION SHALL BE IN ACCORDANCE WITH THE REQUIREMENTS OF M.H.D. 2471.3J4-d AND SPECIAL PROVISIONS.

100 PERCENT OF ALL FILLET WELDS SHALL BE EXAMINED BY MAGNETIC PARTICLE INSPECTION EXCEPT ON RAILINGS AND RAILING COMPONENTS, LIGHTING SYSTEMS (INCLUDING INCIDENTAL PARTS), BEARINGS, LADDERS, EXPANSION DEVICES, INSPECTION WALKWAYS, END SEAL DIAPHRAGMS OF BOX CHORDS, INTERMEDIATE STIFFENERS IN APPROACH SPANS AND TRUSS FLOOR BEAMS AND CHANNEL DIAPHRAGMS.

MATCH MARKING: MATCH MARKING OF TRUSS MEMBERS TO BE AS PER M.H.D. SPEC'S 2471.3E1 & 2471.3K. PIECES MUST BE MARKED WITH (1/2)" NUMBERING DIES. SEE SHT E18 FOR MATCH MARKING SYSTEM OF TRUSS MEMBERS. SEE SHT E4 FOR MATCH MARKING SYSTEM FOR STRINGERS.

MINN. PROJ. NO I-1035W-3(50)112
 STATE PROJ. NO 2783-9340B(TH35W-304)

ALLIED
 ENGINEERS & ARCHITECTS
 STRUCTURAL STEEL COMPANY
 1125 11TH STREET, MINNEAPOLIS, MINN. 55404

DRAWN BY: LN DATE: 2-6-69
 CHECKED BY: LN DATE: _____
 IN CHARGE OF: L. NEWELL
 FAB. PLANT: HAMMOND
 REFERENCE DWG: _____

DETAILS OF: TABLE OF CONTENTS & GEN'L NOTES
 STRUCTURE: BRIDGE NO 9340
 LOCATION: MINNEAPOLIS, MINNESOTA
 OWNER: MINNESOTA STATE HWY DEPT

CONTRACT: 3142 DIV. _____ FABCOD _____ SHEET: GNI

X 0 1 2 3
 O X
 1
 2
 3
 4
 5
 6
 7
 8
 9

SHT NO	DESCRIPTION
E1	SOUTH APPROACH ANCHOR BOLT PLAN
E2	TRUSS SPAN ANCHOR BOLT PLAN
E3	NORTH APPROACH ANCHOR BOLT PLAN
E4	STRINGERS-DIV'S 9 & 10
E5	Do Div's 7 & 8
E6	Do Div's 15-16-19
E7	Do Div's 17-18-19
E8	Do Div's 11 & 12
E9	Do Div's 13 & 14
E10	TRUSS U0-U5
E11	Do U4-U9
E12	Do U8-U14
E13	Do U4-U20
E14	Do U19-U24
E15	Do U24-U28
E16	WALKWAYS & LADDERS
E17	EXPANSION CURBS
E18	MATCH MARKING SYSTEM OF TRUSS MEMBERS
BEARINGS, ANCHOR BOLTS ETC. ENTIRE STRUCTURE	

SHT NO	DESCRIPTION
P1	LEAD PLATES
P2	BRONZE PLATES
P3	Do Do
P4	GRATING FOR WALKWAYS
BEARING RS, STGR SEATS, CURBS & MEDIAN EXP. DEVICES & FILLS ENTIRE STRUCTURE	

SHT NO	DESCRIPTION
1	BEARING PLATES
2	Do Do
3	Do Do
4	Do Do
5	Do Do
6	Do Do
7	Do Do
8	STRINGER SEATS
9	CURB & MEDIAN EXPAN. DEVICES & PIER NO 2
10	CURB & MEDIAN EXPAN. DEVICES & PIER NO 5
11	CURB & MEDIAN EXPAN. DEVICES & PIER NO 8
12	CURB & MEDIAN EXPAN. DEVICES & PIER NO 9
13	FILLS @ U0 & U01
14	SEE REAMING ASSEMB. DIAGRAMS SH. QN2
15	Do
16	FILLS @ U01
17	TURNED BOLTS (PIER BRG)

SHT NO	DESCRIPTION
GN1	GENERAL NOTES & TABLE OF CONTENTS
GN2	CONTINUED TABLE OF CONTENTS
701	TRUSS DIAGS (U8-L9 W&E) (U20-L19 W&E) (U8-L1 W&E) (U20-L21 W&E)
702	TRUSS DIAGS (U6-L7 W&E) (U22-L21 W&E)
703	UPPER CHORD U6-U8
704AB-B	LOWER CHORD L7-L8
705AB-B	Do Do L8-L9 L20-L19
706	VERTICALS U8-L8 & U20-L20
707	CANTILEVER @ FTG (E.T.)
708	FLOOR TRUSS FT6
709	VERTICALS (U7-L7) (U21-L21)
710	SWAY FRAME P.P. & 20
711	PORTAL BRG'G P.P. & 20
712	SWAY BRACING & TOP LATERAL BRG'G
713	SWAY BRG'G P.P. & 21
714AB-B	BOTT. STRUT @ L7
715	STRINGERS
716	Do
717	Do
718	Do
719	Do
720	Do
721	Do
722	WALKWAY PLATFORMS
723	FLOOR TRUSS FT8
724	WALKWAY PLATFORMS
725	BOTT. CHORD LAT. DIAG. L1-L8
726	Do L8-L9 L19-L20
727AB-B	BOTT. STRUT L9-L19
728AB-B	Do @ L8
729	DIAPH'S & CANTILEVER BRG'G
730	FLOOR TRUSS FT7
731	FLOOR TRUSS BRACES
732	CANTILEVER @ FTG (W.T.)
733	Do @ FT7 (E.T.)
734	Do @ FT7 (W.T.)
735	LADDERS L8 & L20
736	Do L8 & L20
737	Do L8 & L20
738	CANTILEVER FT8 & FT20

SHT NO	DESCRIPTION
801	LOWER LATERAL (L2-L22) (L23-L23)
802	MIDDLE STRUT L6 & L22
803	BOTT. STRUT L6 & L22
804	BOTT. STRUT L5 & L23
805	SWAY BRACING P.P. & 22 P.P. & 23
806	FLOOR TRUSS FT4
807	FLOOR TRUSS FT5
808	CANTILEVER FT4 E.E.
809	Do FT4 W.E.
810	LOWER CHORD L5-L7
811	UPPER CHORD U4-U6
812	TRUSS DIAGS (U4-L5 E&W) (U24-L23 E&W) (U6-L5 E&W) (U22-L23 E&W)
813	TRUSS VERTS L5-U5 E&W L23-U23 E&W
814	TRUSS VERTS L2-U2 E&W L22-U22 E&W
815	STRINGERS
816	STRINGERS
817	CANTILEVER FT5 E.E.
818	Do FT5 W.E.
819	DIAPHRAGMS
901	UPPER CHORD U2-U4
902	TRUSS VERTS L3-U3 E&W L25-U25 E&W L4-U4 E&W L24-U24 E&W
903	Do L3-U3 E&W L24-U24 E&W
904	TRUSS DIAGS (L3-U3 E&W) (L25-U25 E&W)
905	LOWER CHORD L3-L5
906	LOWER LATERAL (L3-L4) (L4-L5) (L23-L24) (L24-L23)
907	STRINGERS
908	STRINGERS
909	SWAY BRACING P.P. & 25 P.P. & 24
910	BOTT. STRUT L4
911	Do L3
912	FLOOR TRUSS FT3
913	Do FT2
914	CANTILEVER BRACING
915	CANTILEVER FT3 E.E.
916	Do FT3 W.E.
917	Do FT2 E.E.
918	Do FT2 W.E.
1001	TRUSS VERT. L2-U2 E&W. L1-U1 E&W. L7-U27 E&W.
1002	Do L1-U1 E&W. L7-U27 E&W.
1003	TRUSS DIAGS L1-U2 E&W.
1004	Do L1-U0 W.
1005	Do L1-U0 E.
1006	LOWER CHORD L1-L3
1007	SWAY FR. BRACING L1 & L27
1008	LOWER LATERAL L1-L2
1009	LADDER L1 & L27

SHT NO	DESCRIPTION
1010	LOWER LATERAL L2-L5
1011	UPPER CHORD U0-U2E.
1012	Do U0-U2W.
1013	SWAY BRACING L2 & L26
1014	BOTT. STRUT L2
1015	Do L1
1016	CANTILEVER BRACING TOP LATERAL BRACING U1-U2
1017	FLOOR BEAM SOUTH END
1018	FLOOR TRUSS FT1
1019	TOP LATERALS U0-U1
1020	CANTILEVER FT1 E.E.
1021	Do FT1 W.E.
1022	DIAPHRAGMS AND FLOOR TRUSS BRG'G
1023	STRINGER RRU0-U2
1024	Do Do
1025	Do Do
1026	Do Do
1027	Do Do
1028	Do Do
1029	Do Do
1030	Do Do
1031	Do Do
1032	Do Do
1033	Do Do
1034	Do Do
1035	Do Do
1036	Do Do
1037	Do Do
1101	LOWER LATERAL (L20-L21)
1102	STRINGERS
1103	Do
1104	Do
1105	FLOOR TRUSS FT21
1106	Do FT22
1107	Do FT20
1108	LOWER CHORD L21-L20
1109	UPPER CHORD U20-U22
1110	BOTT. STRUT L21
1111	Do L20
1112	CANTILEVER FT21 E&W.
1113	Do FT22 E&W.

REVISIONS
 0 0 0 0

TABLE OF CONTENTS - DECK TRUSS SPANS U.N.

X 0 1 2 3
 0 X
 1
 2
 3
 4
 5
 6
 7
 8
 9

SHT NO	DESCRIPTION	SHT NO	DESCRIPTION	SHT NO	DESCRIPTION
1201	STRINGERS RR U23-U24	1501	PLATFORMS @ LIO	1704	STRINGERS RR U20-U19
1202	STRINGERS RR U23-U24	1502	Do @ LIO	1705	FLOOR TRUSS FT18
1203	FLOOR TRUSS FT23	1503	LADDER @ LIO WEST TR.		
1204	Do FT24	1504	Do @ LIO EAST TR		
1205	UPPER CHORD U22-U24 E&W	1505	PLATFORMS @ LIO		
1206	CANTILEVER FT25 E&W	1506	PLATFORM @ LIO	1901	CANTILEVER FT14 E&W
1207	Do FT24 E&W	1507	TOP LATERAL U8-U9	1902	FLOOR TRUSS FT14
1208	LOWER CHORD L23-L21 E&W	1508	SWAY BR'G (UPPER & LOWER) (L9 & L19) (U10 & U18)	1903	Do FT13 & FT15
		1509	INTER. STRUT L9 & L19	1904	LOWER CHORD L13-L15
		1510	BOTT. STRUT L11 & L17	1905	UPPER CHORD U12-U14 E&W
1301	UPPER CHORD U24-U26	1511	INTER. STRUT L10 & L18	1906	TRUSS VERT. L13-U13 E&W
1302	TRUSS DIAG. L25-U26 E&W	1512	BOTT. STRUT L10 & L18	1907	TRUSS VERT. L14-U14 E&W
1303	STRINGERS RR U24-U25	1513	TRUSS VERTS L9-U9 E&W	1908	TRUSS DIAG. L13-U14 E&W
1304	Do Do	1514	Do L10-U10 E&W	1909	BOTT. STRUT @ L14
1305	FLOOR TRUSS FT25	1515	TRUSS DIAGS (L9-U9 E&W) (L10-U10 E&W) (L11-U11 E&W) (L12-U12 E&W) (L13-U13 E&W) (L14-U14 E&W) (L15-U15 E&W) (L16-U16 E&W) (L17-U17 E&W) (L18-U18 E&W) (L19-U19 E&W) (U10-U10 E&W) (U11-U11 E&W) (U12-U12 E&W) (U13-U13 E&W) (U14-U14 E&W) (U15-U15 E&W) (U16-U16 E&W) (U17-U17 E&W) (U18-U18 E&W) (U19-U19 E&W)	1910	STRINGERS RR U13-U14
1306	Do FT26	1516	UPPER CHORD U8-U10 E&W	1911	Do Do
1307	CANTILEVER FT25 E&W	1517	LOWER CHORD L9-L11 E&W	1912	Do Do
1308	Do FT26 E	1518	CANTILEVER FT9 E&W	1913	Do RR U14-U15
1309	Do FT26 W	1519	FLOOR TRUSS FT9	1914	Do Do
1310	LOWER CHORD L25-L23 E&W	1520	CANTILEVER FT10-FT12 E&W	1915	Do Do
1311	FLOOR TR. BRACE	1521	FLOOR TRUSS FT10		
1312	BOTT. STRUT @ L25	1522	STRINGERS RR U8-U9		
1313	Do @ L26	1523	Do Do		
		1524	Do Do		
		1525	Do Do		
		1526	BOTT. LATERAL (L9-U9) (L10-U10) (L11-U11) (L12-U12) (L13-U13) (L14-U14) (L15-U15) (L16-U16) (L17-U17) (L18-U18) (L19-U19) (U10-U10) (U11-U11) (U12-U12) (U13-U13) (U14-U14) (U15-U15) (U16-U16) (U17-U17) (U18-U18) (U19-U19)		
1401	TRUSS VERT. L26-U26 E&W	1527	STRINGERS RR U9-U10		
1402	STRINGERS RR U27	1528	Do Do		
1403	TRUSS DIAG. L27-U26 E&W	1529	Do Do		
1404	BOTT. LATERAL L26-L27				
1405	UPPER CHORD U26-U28 E&W				
1406	BOTT. STRUT @ L26				
1407	TRUSS DIAG L27-U28 E&W	1601	CANTILEVER FT11 E&W		
1408	BOTT. STRUT @ L27	1602	UPPER CHORD U10-U12 E&W		
1409	STRINGERS RR U26	1603	SWAY BR'G (L13-L14 & L15)		
1410	LOWER CHORD L25-L27	1604	BOTT. STRUT L12 & L16		
1411	FLOOR TRUSS FT27	1605	Do L13 & L15		
1412	CANTILEVER FT27 E	1606	TRUSS VERTS L11-U11 E&W		
1413	Do FT27 W	1607	Do L12-U12 E&W		
1414	FLOOR BEAM-NORTH END	1608	TRUSS DIAGS (L11-U11) (L12-U12) (L13-U13) (L14-U14) (L15-U15) (L16-U16) (L17-U17) (L18-U18) (L19-U19) (U10-U10) (U11-U11) (U12-U12) (U13-U13) (U14-U14) (U15-U15) (U16-U16) (U17-U17) (U18-U18) (U19-U19)		
1415	STRINGERS RR U26	1609	LOWER CHORD L17-L15 E&W		
1416	TOP LATERAL U27-U28	1610	FLOOR TRUSS FT11 & FT17		
1417	STRINGERS RR U26 & U27	1611	Do FT12 & FT16		
1418	Do RR U27	1612	BOTT. LATERALS L11 TO L17 INCL.		
1419	Do RR U27	1613	STRINGERS RR U10-U12		
1420	DIAPHRAGM	1614	Do Do		
		1701	CANTILEVER FT13-FT15 E&W		
		1702	FLOOR TRUSS FT19		
		1703	STRINGERS RR U20-U19		

SHT NO	DESCRIPTION
SA3	STRINGERS RR U13 TO U14
SA4	Do RR U14 TO U20
SA5	Do RR U20 TO U24
SA6	Do RR U24 TO U28
SA7	Do RR U24 TO U28

REAMING ASSEMBLY DIAGRAMS & TEMPLATES

SHT NO	DESCRIPTION
RA1	E&W LOWER CHORD & E. UPPER CHORD REAMING LAYOUT R.P. 3 TO 8
RA2	E&W LOWER & UPPER CHORD REAMING LAYOUT R.P. 20-28
RA3	E&W LOWER & UPPER CHORD REAMING LAYOUT R.P. 9 TO 20
RA4	DIMEN. FOR SHOP REAMING OF TRUSS MEMBERS
RA5	Do
RA6	Do
14	FOR SHOP ASSEMBLY REAMING
15	Do

RT1	REAMING TEMPLATES
RT2	REAMING TEMPLATES
RT3	REAMING TEMPLATES

WELDING SHEETS

SHT NO	DESCRIPTION
W1	X-RAY LOCATION (FLR BRG & FLR TRUSSES)
W2	X-RAY LOCATION (TOP CHD LATERALS)
X1	WELDING SEQUENCE FOR FLR TRUSS WEB MEMBERS
X2	WELDING DETAILS FOR FLOOR TRUSSES

STRINGER BLOCKING DIAGRAMS

SHT NO	DESCRIPTION
SA1	STRINGERS RR U10 TO U14
SA2	Do RR U14 TO U18

B251 E30	EXP. BEARING-PIER 6
B252 E30	EXP. BRG ASSEM.-PIER 6
B253 E30	EXP. BRG -PIER 5 & 8
B254 E30	EXP. BRG ASSEM. PIER 5 & 8
B255 E30	FIX. BRG -PIER 7
B256 E30	EXP. BRG ASSEM. PANEL U0 & U0'
B257 E30	ROADWAY EXP. CSTG-PIER 2
B258 E30	EXP. DEVICE @ U0
B259 E30	EXP. DEVICE @ U0'
B260 E30	EXP. CSTG ASSEM. @ PIER 2
B261 E30	Do @ U0
B262 E30	Do @ U0'

MINN. PROJ. NO I-16 35W-3 (58) 112
 STATE PROJ. NO 2783-9340B (TH 35W-394)

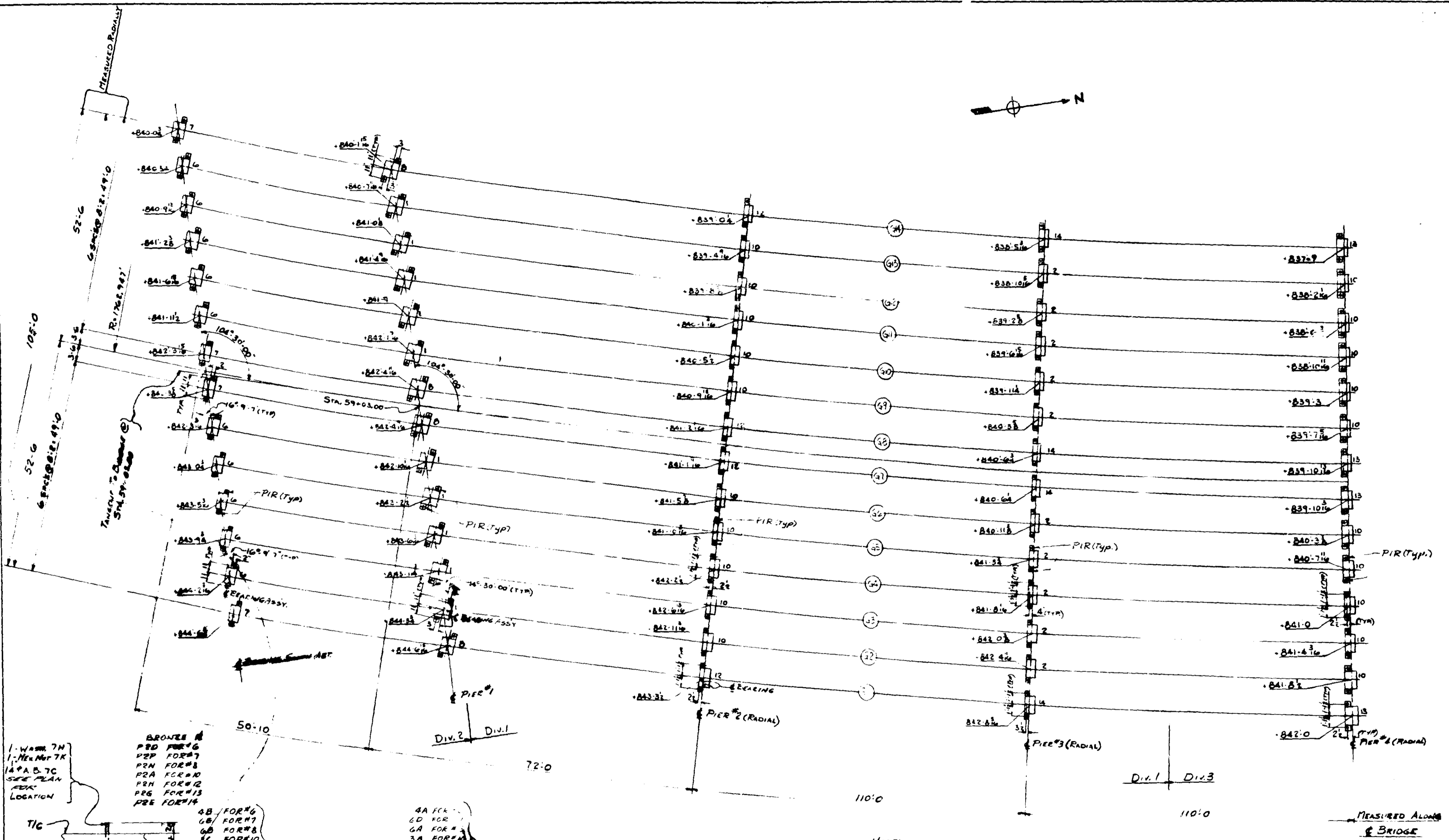
ALLIED STRUCTURAL STEEL COMPANY
 ENGINEERS FABRICATORS Erectors
 1425 15TH STREET, HARBOR, INDIANA 46133

TABLE OF CONTENTS
 BRIDGE NO 9340

MINNEAPOLIS, MINNESOTA
 MINNESOTA STATE HWY DEPT

CONTRACT 3142 DIV. FABCOO SHEET GN2

DRAWN BY: *5/5/66* DATE: 5/5/66
 CHECKED BY: DATE:
 IN CHARGE OF: *G. Nakanishi*
 FAB. PLANT: *Hammond*
 REFERENCE DWGS:



1. WASH. 7M
1. Hex Nut 7K
1. A.P.A. B. 7C
SEE PLAN
FOR
LOCATION

BRONZE
P2D FOR #6
P2P FOR #7
P2N FOR #8
P2A FOR #9
P2M FOR #10
P2K FOR #11
P2J FOR #12
P2H FOR #13
P2G FOR #14

4B FOR #6
4C FOR #7
4D FOR #8
4E FOR #9
4F FOR #10
4G FOR #11
4H FOR #12
4I FOR #13
4J FOR #14

4A FOR #1
4B FOR #2
4C FOR #3
4D FOR #4
4E FOR #5
4F FOR #6
4G FOR #7
4H FOR #8
4I FOR #9
4J FOR #10
4K FOR #11
4L FOR #12
4M FOR #13
4N FOR #14

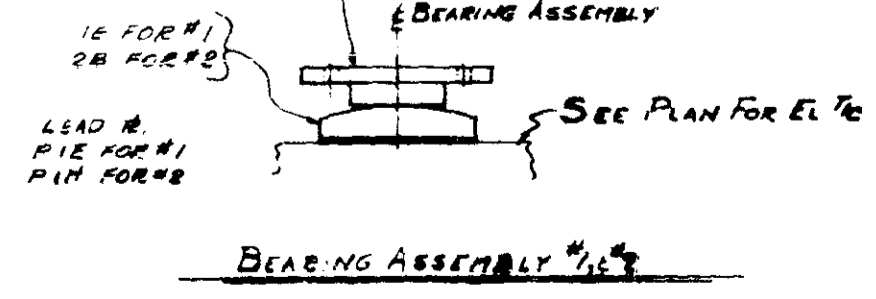
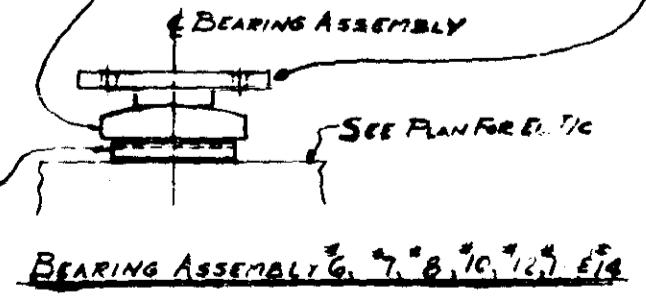
1C FOR #1
2A FOR #2

1E FOR #1
2B FOR #2

ANCHOR BOLT PROJECTION

LEAD #
P1D FOR #6
P1E FOR #7
P1F FOR #8
P1G FOR #9
P1H FOR #10
P1I FOR #11
P1J FOR #12
P1K FOR #13
P1L FOR #14

4C FOR #6
4D FOR #7
4E FOR #8
4F FOR #9
4G FOR #10
4H FOR #11
4I FOR #12
4J FOR #13
4K FOR #14



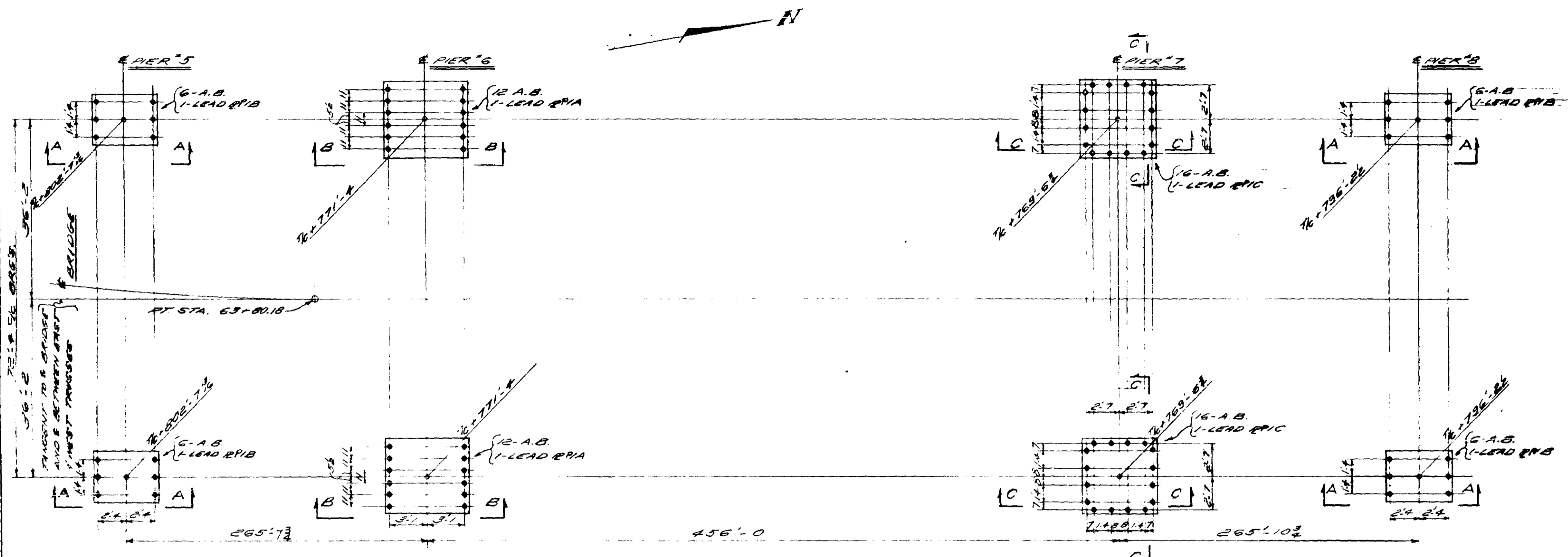
NOTE:
ELEV. SHOWN ON PLAN ARE ELEV. AT TOP OF CONC.
ANCHOR BOLT HOLES SHALL BE DRILLED AND ANCHOR
BOLTS AND BEARINGS SET IN PLACE AFTER
GIRDERS HAVE BEEN ERECTED.
State Proj. No. 2783-OB (TH35W-874)
Minn. Proj. No. IIG 35V1-3(5B)112

OPEN HOLES	RIVETS & BOLTS	PAINT
REVISIONS	△	△
DATE 11-22-65	CHECKED BY CRN	DATE 12-17-65

ALLIED STRUCTURAL STEEL COMPANY
ENGINEERS
FABRICATORS
RECTORS

DETAILS OF BOLT SETTING PLAN FROM SOUTH ABT. TO PIER #4
STRUCTURE BRIDGE #9340
LOCATION MINNEAPOLIS, MINNESOTA
OWNER MINNESOTA STATE HWY. DEPT.
CUSTOMER MINNESOTA STATE HWY. DEPT.

CONTRACT 3142 FABCOD SHEET E1



PLAN

NOTE: BEARINGS NOT SHOWN, BRGS. BY OTHERS

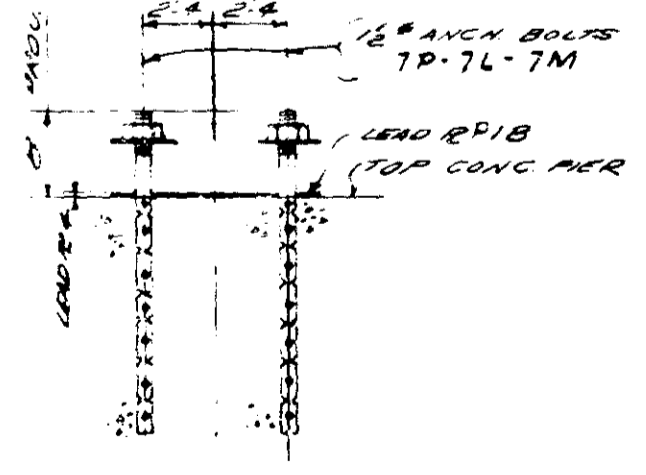
FOR ELD BRG ASSBLY SEE EARL GEAR & MACH. CO. DRWG. #8254 E30

FOR ENP BRG ASSBLY. SEE EARL GEAR & MACH. CO. DRWG. #8252 E30

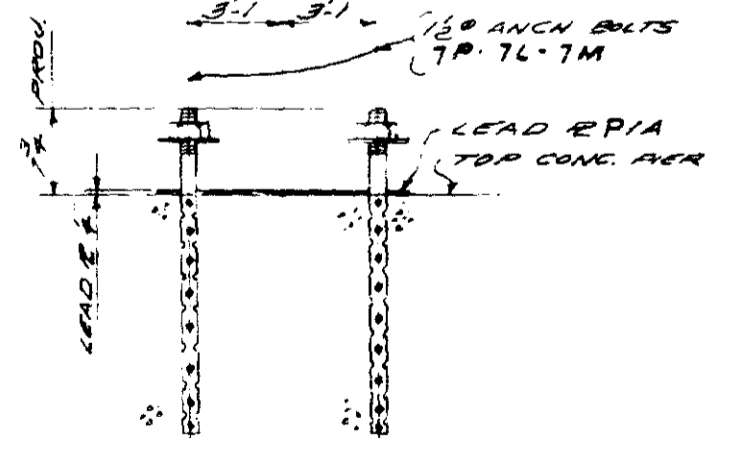
FOR FIXED BRG ASSBLY SEE EARL GEAR & MACH. CO. DRWG. #8255 E30

NOTES

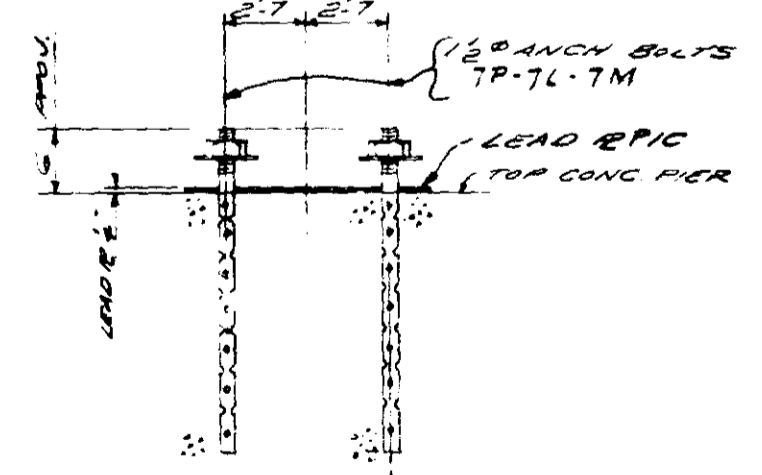
ELEV. SHOWN ON PLAN ARE ELEV. AT TOP OF CONCRETE.
ANCHOR BOLT HOLES SHALL BE DRILLED AND ANCH. BOLTS AND BEARINGS SET IN PLACE AFTER TR. 35 SPANS HAVE BEEN ERECTED.



SECT. A-A



SECT. B-B

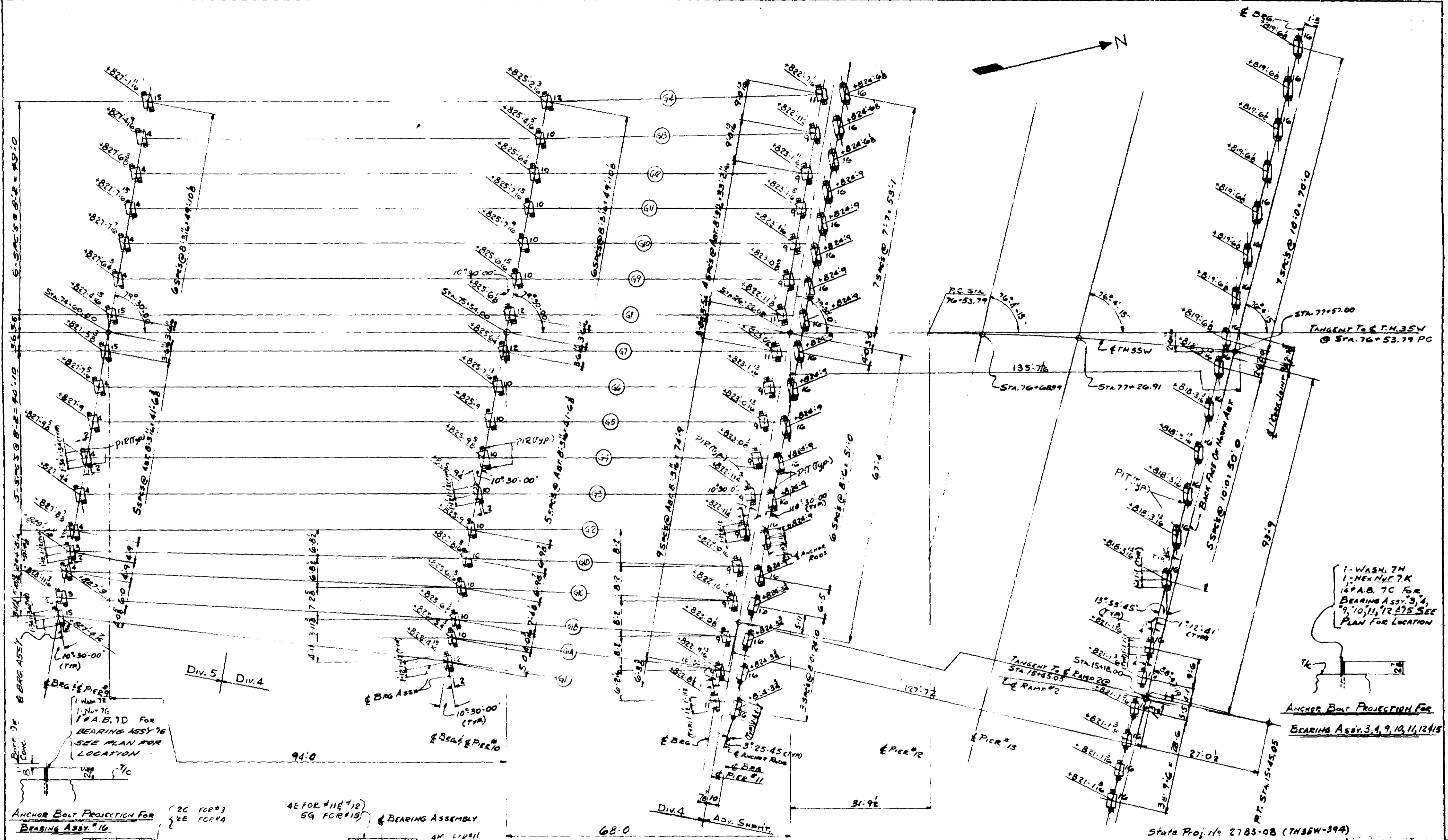


SECT. C-C

State Proj # 2783-08 (TH35W-394)
Minn Proj No I-IG 35W-3(5B)112

ALLIED ENGINEERS FABRICATORS ERECTORS		STRUCTURAL STEEL COMPANY 1215 15TH STREET SARBORG, MINN. 55108	
DETAILS OF ANCHOR BOLT Y BRG. SETTING PLAN			
STRUCTURE BRIDGE NO. 9340			
LOCATION MINNEAPOLIS, MINNESOTA			
OWNER MINNESOTA STATE HWY. DEPT.			
CUSTOMER MINNESOTA STATE HWY. DEPT.			
CONTRACT	FABCOD	SHEET	
3142		E2	

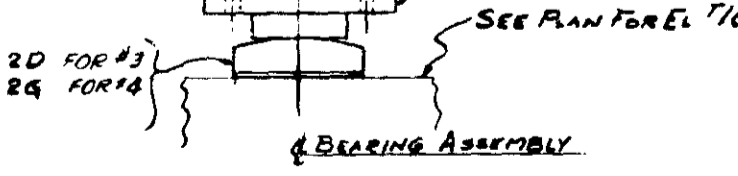
OPEN HOLES	RIVETS & BOLTS	PAINT	
DRAWN BY RL DATE 1/16/65 CHECKED BY CRW DATE 2/15/65			
REVISIONS	△	△	△
			5-2-67



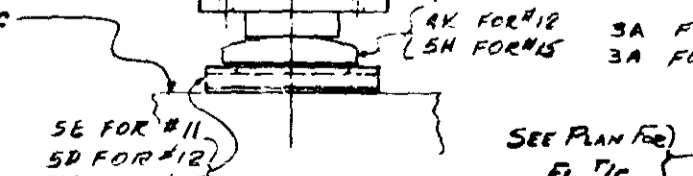
1-WASH. 7H
1-HEX NUT 7K
16 P.A.B. 7C FOR
BEARING ASSY'S 3, 4,
9, 10, 11, 12, 15 SEE
PLAN FOR LOCATION

ANCHOR BOLT PROJECTION FOR
BEARING ASSY'S 3, 4, 9, 10, 11, 12, 15

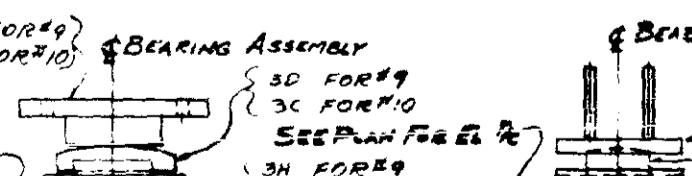
ANCHOR BOLT PROJECTION FOR
BEARING ASSY #16



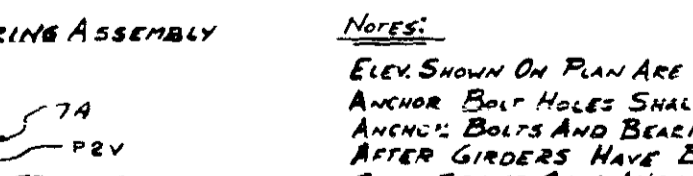
ANCHOR BOLT PROJECTION FOR
BEARING ASSEMBLY #11, 12, 15



ANCHOR BOLT PROJECTION FOR
BEARING ASSEMBLY #9, 10



ANCHOR BOLT PROJECTION FOR
BEARING ASSEMBLY #16

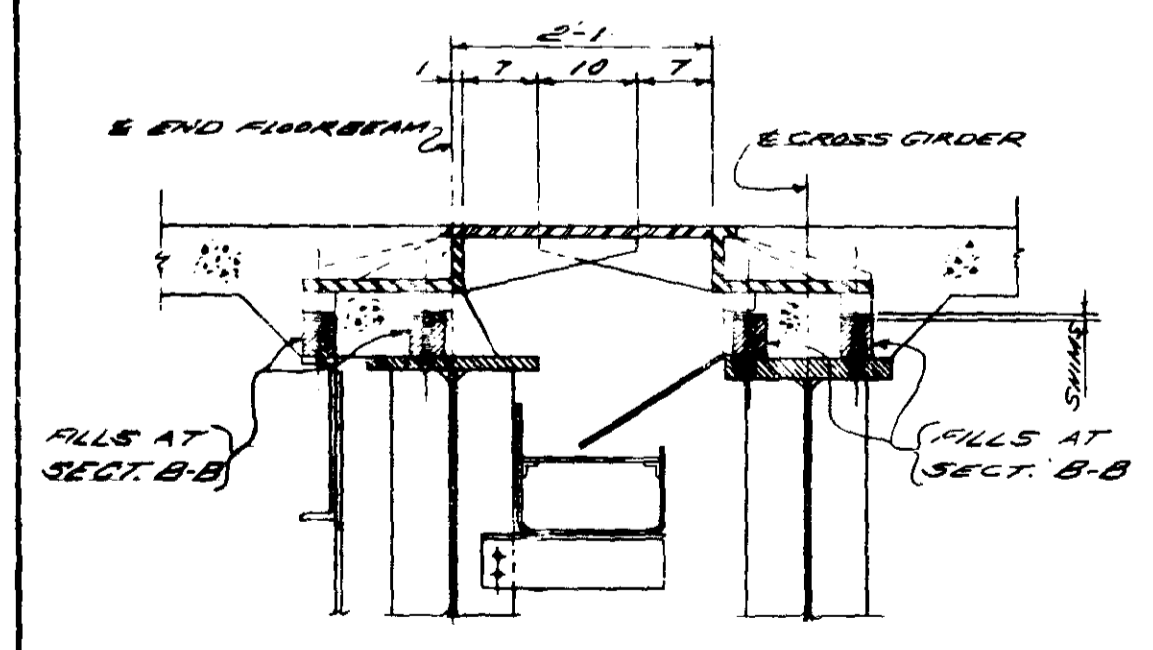
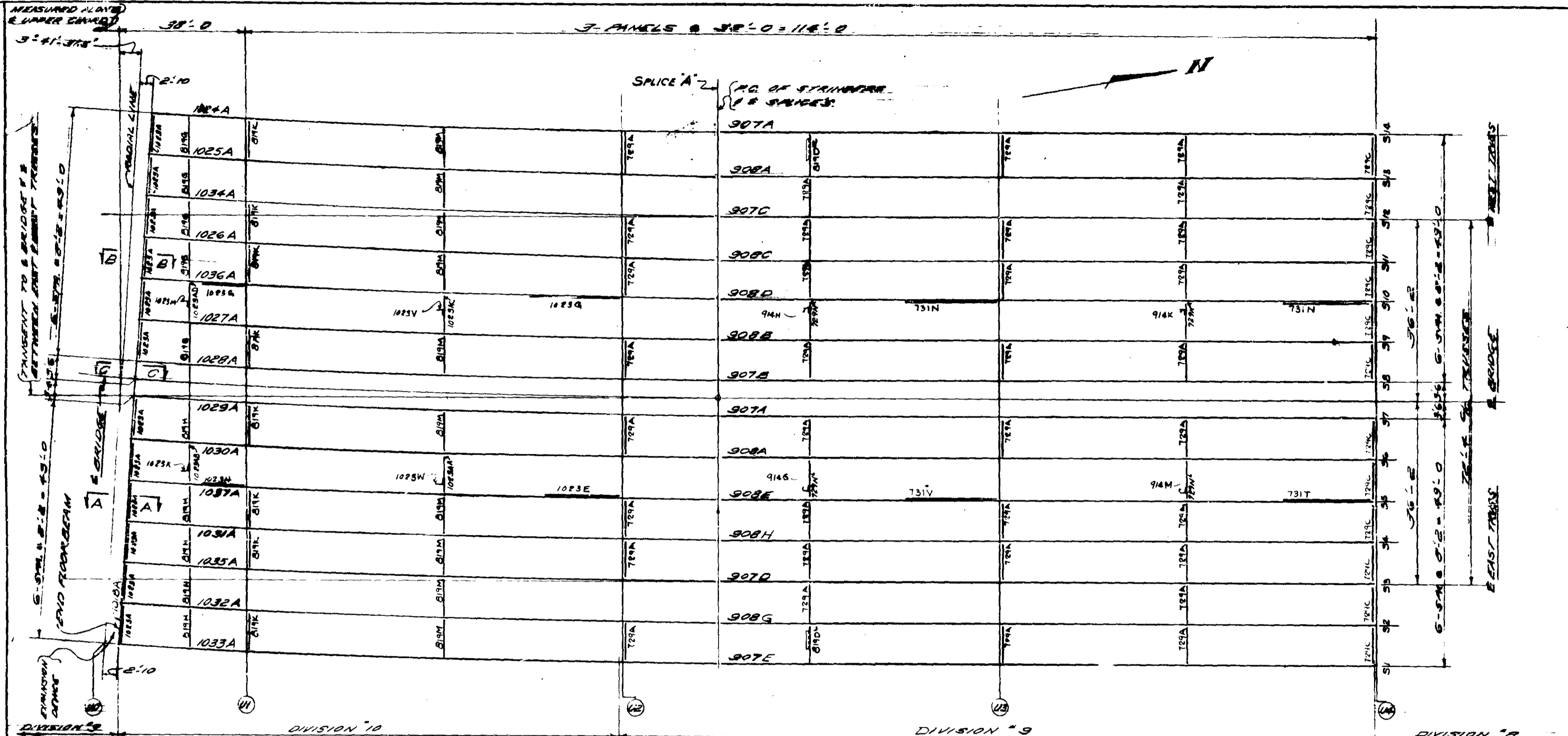


NOTES:
ELEV. SHOWN ON PLAN ARE ELEV. AT TOP OF CONC.
ANCHOR BOLT HOLES SHALL BE DRILLED AND
ANCHOR BOLTS AND BEARINGS SET IN PLACE
AFTER GIRDERS HAVE BEEN ERRECTED FOR
STEEL SPANS ONLY. ANCH. BOLTS FOR CONC.
SPANS TO BE CAST IN PLACE.

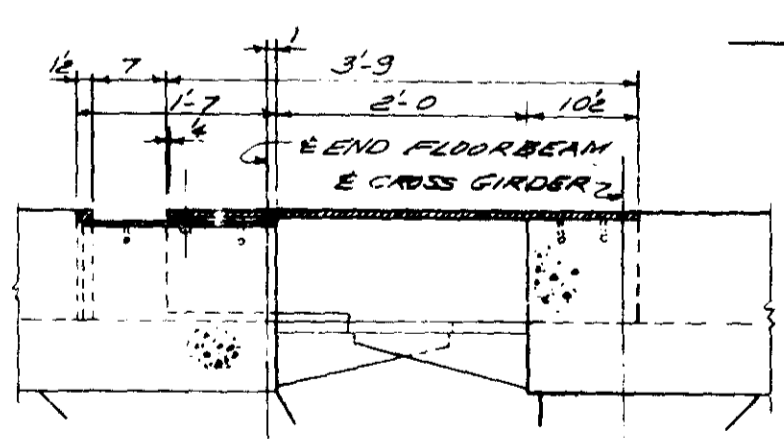
State Proj. No. 2783-08 (TH86W-394)
Minn. Proj. No. IIG 35W-3(58)112

ALLIED ENGINEERS ARCHITECTS STRUCTURAL STEEL FABRICATORS DIRECTORS		STRUCTURAL STEEL COMPANY 1000 10TH STREET, MINNEAPOLIS, MINN. 55403	
DETAILS OF ANCHOR BOLT PLAN FROM PIER #9 TO NORTH ABT.			
STRUCTURE: BRIDGE No. 9340			
LOCATION: MINNEAPOLIS, MINNESOTA			
OWNER: MINNESOTA STATE HWY. DEPT.			
CUSTOMER: MINNESOTA STATE HWY. DEPT.			
CONTRACT 3142		SHEET E3	

OPEN HOLES	RIVETS & BOLTS	PAINT
DRAWN BY: L.G.	DATE: 11-26-65	CHECKED BY: CRW DATE: 12-17-65
REVISIONS	△	△

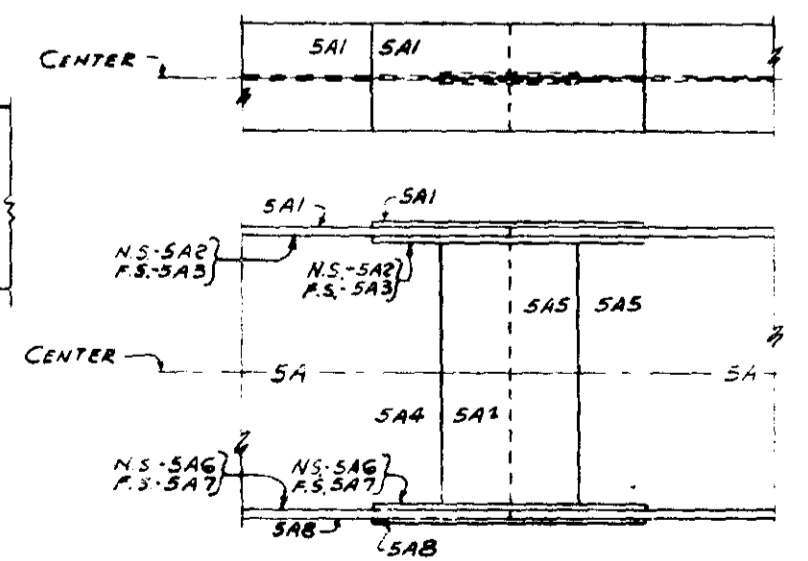


SECTION A-A
SECTION B-B
(FOR FILLS SEE SHY. E17)



SECTION C-C

FLOOR FRAMING PLAN



TYPICAL MATCH MARKING DIAGRAM FOR SPICE MATERIAL

THE INTERSECTION OF A STRINGER LINE NUMBER (SE AND SPICE NUMBER (SAB)) WILL FORM AN IDENTIFICATION MATCH MARK. EXAMPLE; SA1. THIS MARK WILL BE PLACED ON THE ENDS OF STRINGERS AT THE SPICES. ALL SPICE MATERIAL WILL BE MARKED WITH THE IDENTIFICATION MATCH MARK PLUS A DIFFERENT SUFFIX NUMERAL FOR EACH INDIVIDUAL PIECE OF SPICE MATERIAL. EXAMPLE; SA4. CORRESPONDING MARKS ALSO WILL BE AFFIXED ON THE STRINGERS. THE MARKS MUST BE POSITIONED TO PREVENT INTERCHANGE OR ROTATION OF THE SPICE MATERIAL. MATCH MARKS SHALL BE PLACED ON THE OUTSIDE FACE OF THE SPICE MATERIAL WITH MARKS OPPOSITE EACH OTHER IN AN OFF-CENTER OF PLATE POSITION AND SHALL BE CLEARLY MADE WITH 6" SIZE STEEL NUMBER DIES. ENCIRCLE ALL MATCH MARKS WITH PAINT, FOR THE PURPOSE OF READILY LOCATING THE MARKS.

MINN. PROJ. I-IG 35W-3 (58) 112
STATE PROJ. 2783-9340B (35W-394)

ALLIED
ENGINEERS
FABRICATORS
ERECTOR

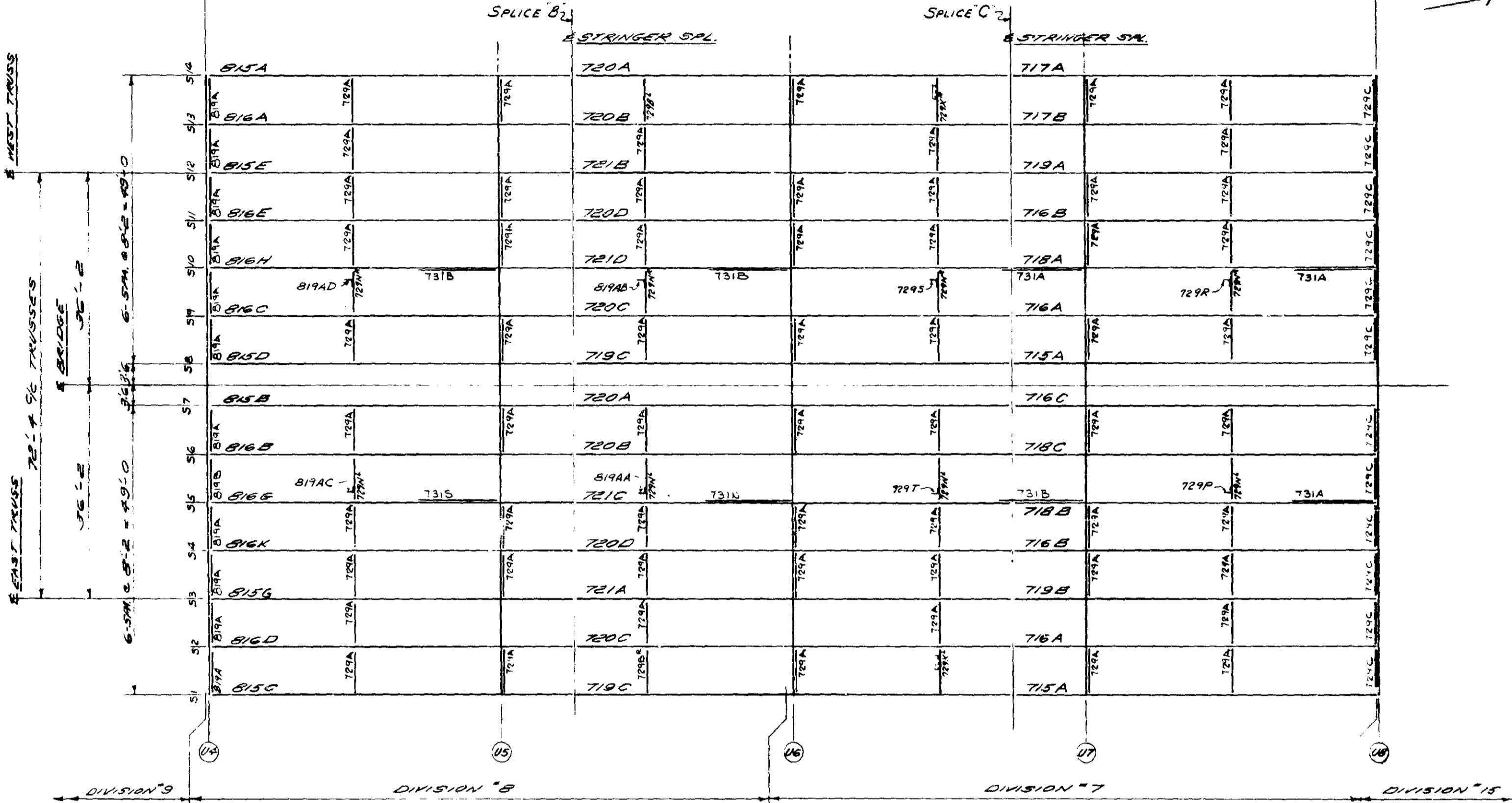
STRUCTURAL STEEL COMPANY
1200 12TH STREET, WARREN, MINN. 55790

DETAILS OF	ERECTOR DIAGRAM STRINGERS-DIV 9-10		
STRUCTURE	BRIDGE NO 9340		
LOCATION	MINNEAPOLIS, MINNESOTA		
OWNER	MINNESOTA STATE HWY DEPT.		
CUSTOMER	MINNESOTA STATE HWY DEPT.		
CONTRACT	3142	FABCOD	SHEET E4

OPEN HOLES	RIVETS & BOLTS	PAINT		
DRAWN BY	DATE	CHECKED BY		
REVISIONS	△	△	△	△

MEASURED ALONG
UPPER CHORD

4 - PANELS @ 38'-0" = 152'-0"



FLOOR FRAMING PLAN

FOR TYPICAL MATCH MARKING OF STRINGER SPLICE MATL. SEE SHT. E4

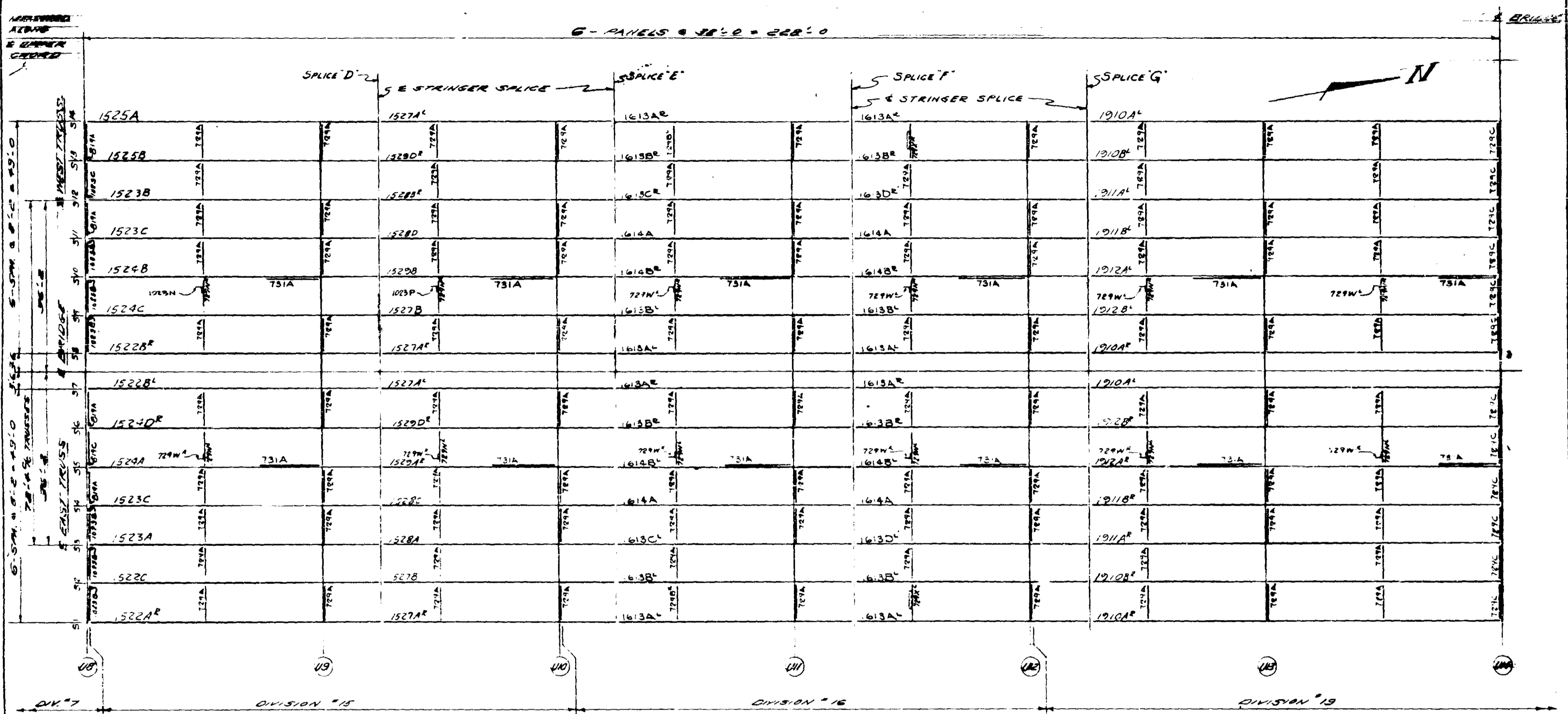
MINN. PROJ. I-IG 35W-3(SB) 112
STATE PROJ. 27B3-9340B (35W-394)

ALLIED STRUCTURAL STEEL COMPANY
ENGINEERS
FABRICATORS
ERECTOR

DETAILS OF ERECTION DIAGRAM STRINGERS-DIV. 7, 8
STRUCTURE: BRIDGE NO. 9340
LOCATION: MINNEAPOLIS, MINNESOTA
OWNER: MINNESOTA STATE HIGHWAY DEPT.
CUSTOMER: MINNESOTA STATE HIGHWAY DEPT.

OPEN HOLES	RIVETS & BOLTS	PAINT
DRAWN BY: <i>TL</i>	DATE: <i>11/15/55</i>	CHECKED BY: <i>JN</i>
REVISIONS	△	△

CONTRACT 3142 FABCOD SHEET E3



— FLOOR FRAMING PLAN —

FOR TYPICAL MATCH MARKING OF STRINGER SPlice MAT'L. SEE SHP. E4

MINN PROJ. I-IG 35W-3(58) 112
STATE PROJ. 2783-93403 (35W-394)

ALLIED STRUCTURAL STEEL COMPANY
ENGINEERS
 FABRICATORS
 ERECTORS

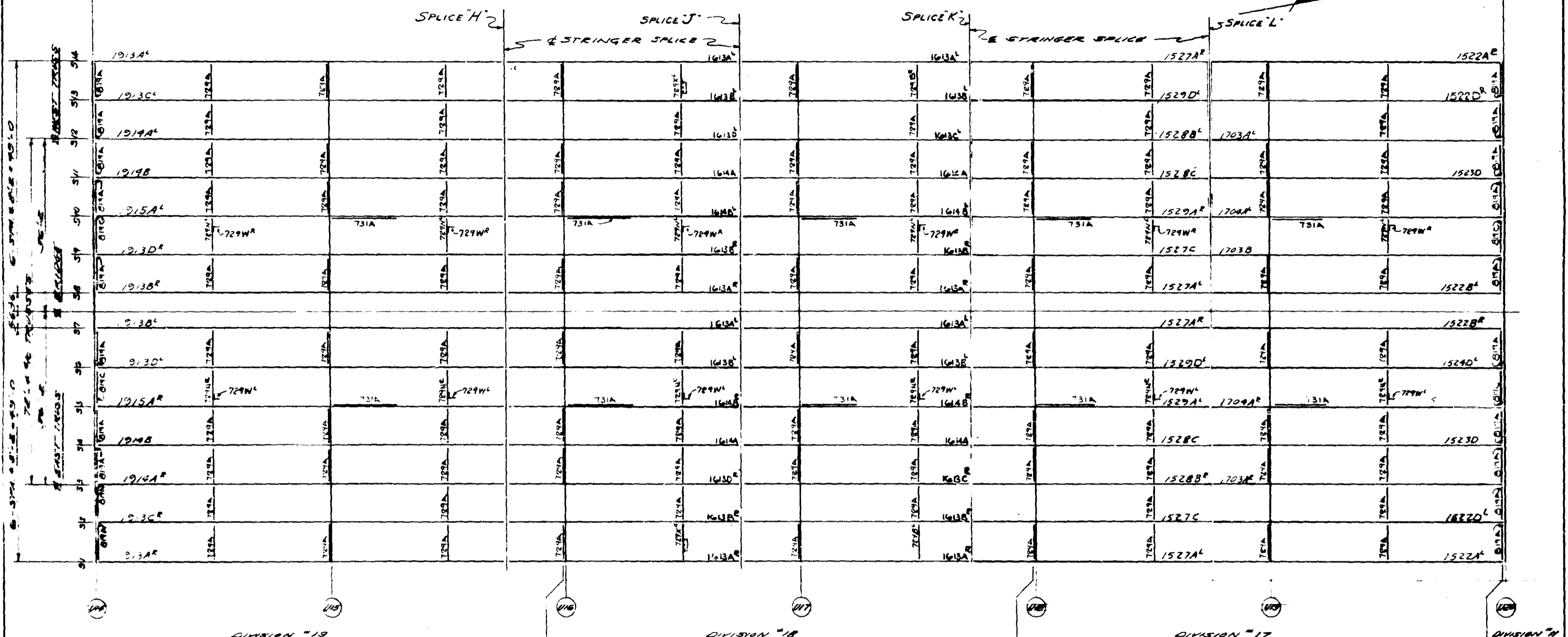
DETAILS OF: ERECTOR DIAGRAM STRINGERS - DIV. 7, 15, 16, 19
 STRUCTURE: BRIDGE 3890
 LOCATION: MINNEAPOLIS, MINNESOTA
 OWNER: MINNESOTA STATE HWY. DEPT.
 CUSTOMER: MINNESOTA STATE HWY. DEPT.

OPEN HOLES	RIVETS & BOLTS	PAINT		
DRAWN BY: <u>RL</u>	DATE: <u>10/15/65</u>	CHECKED BY: _____ DATE: _____		
REVISIONS	△	△	△	△

CONTRACT 3142 FABCOD _____ SHEET E5

MEASURED
ALONG
& UPPER
CHORD

6 - PANELS @ 38'-0" = 228'-0"



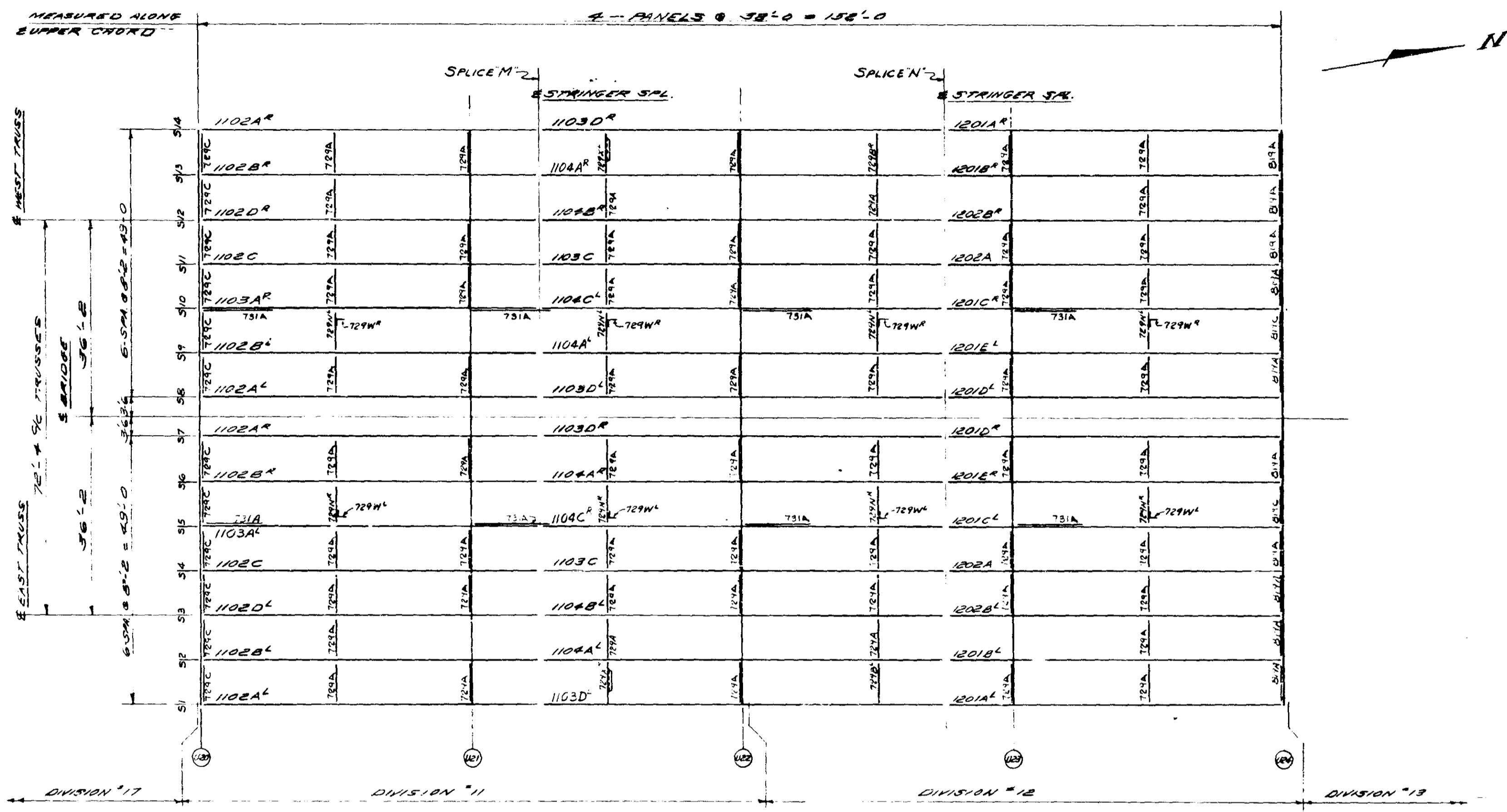
FLOOR FRAMING PLAN

FOR TYPICAL MATCH MARKING OF STRINGER SPLICE MATL. SEE SHT. E-4

MINN. PROJ. I-IG 35W-3(SB) 112
STATE PROJ. 2783-9340B (35W-B94)

ALLIED STRUCTURAL STEEL COMPANY
 ENG. NEERS
 FABRICATORS
 ERECTORS
 1000 WEST STREET, CAMBRIDGE, ILLINOIS 62801

OPEN HOLES	RYETS & BOLTS	PAINI		
DRAWN BY: <u>THE</u>	DATE: <u>1/11/65</u>	CHECKED BY: _____ DATE: _____		
REVISIONS	△	△	△	△
CONTRACT <u>3142</u>		FABCOO		



FLOOR FRAMING PLAN

FOR TYPICAL MATCH MARKING OF STRINGER SPLICE MAT'L. SEE SMT. E 4

MINN. PROJ. I-IG 35W-3 (58) 112
 STATE PROJ. 2783-93408 (35W-394)

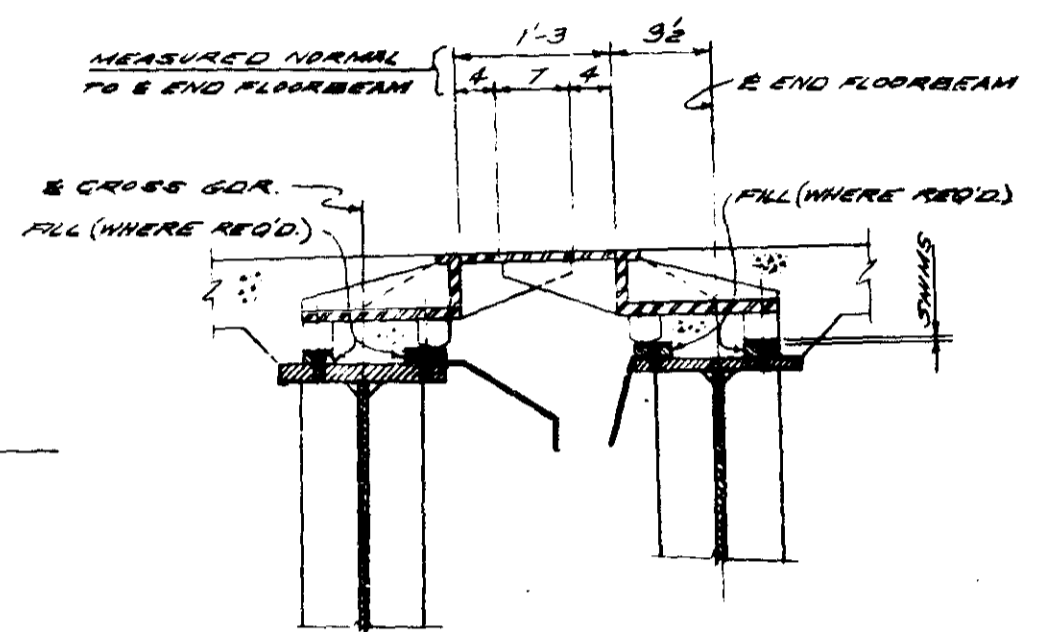
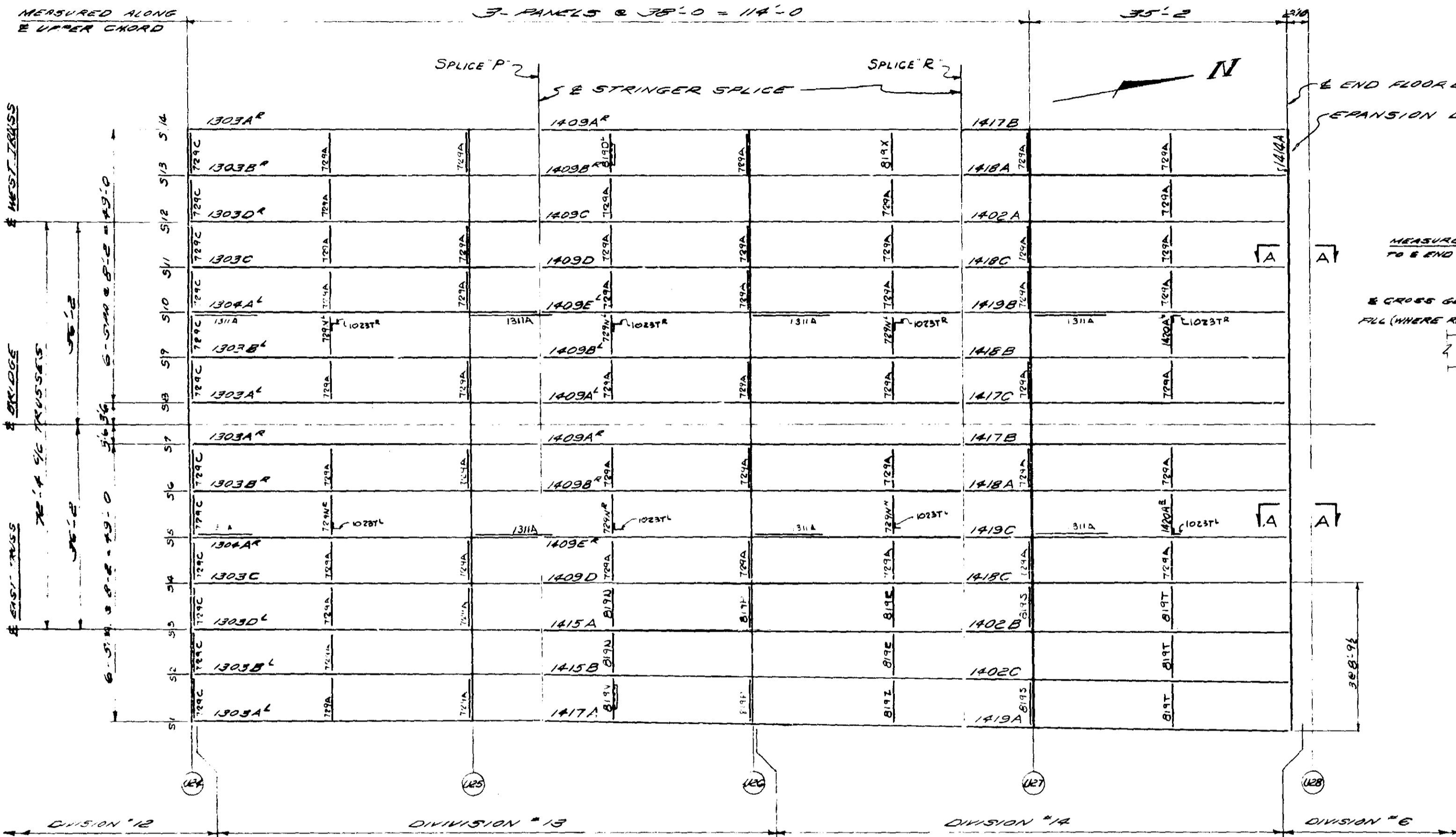
ALLIED STRUCTURAL STEEL COMPANY
 ENGINEERS FABRICATORS ERECTORS
 1225 14TH STREET, MINNEAPOLIS, MINN. 55402

DETAILS OF ERECTION DIAGRAM STRINGERS - DIVISION 11
 STRUCTURE: BRIDGE NO. 9340
 LOCATION: MINNEAPOLIS, MINNESOTA
 OWNER: MINNESOTA STATE HWY. DEPT.
 CUSTOMER: MINNESOTA STATE HWY. DEPT.

OPEN HOLES _____ RIVETS & BOLTS _____ PAINT _____
 DRAWN BY: J.L. DATE: 11/16/65 CHECKED BY: J.N. DATE: _____

REVISIONS	△	△	△	△
-----------	---	---	---	---

CONTRACT 3142 FANCOD SHEET E 8



FLOOR FRAMING PLAN

FOR TYPICAL MATCH MARKING OF STRINGER SPLICE MATL. SEE SHIT. E4

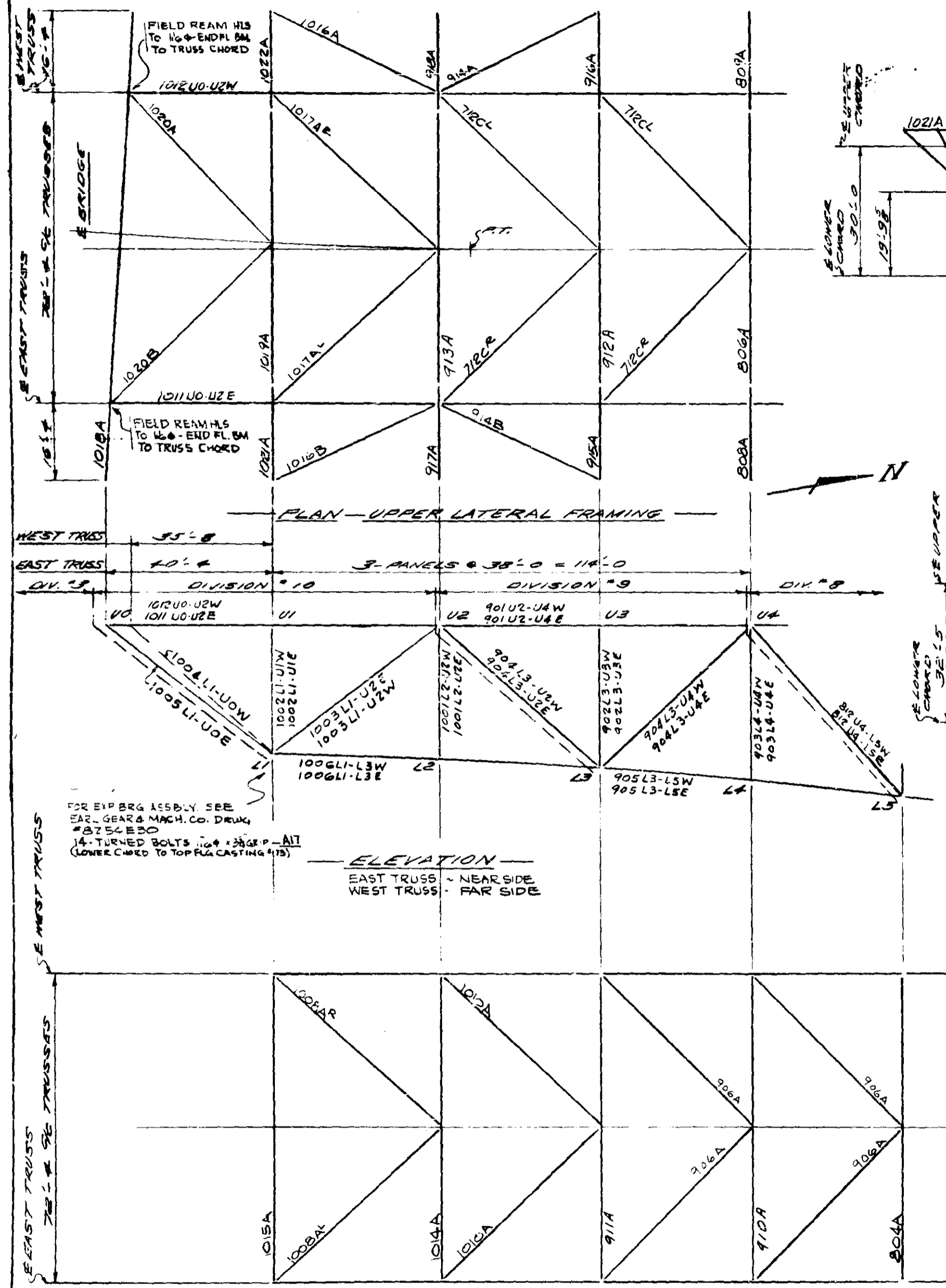
MINN. PROJ. I-IG 35W-3 (58) 112
STATE PROJ. 2783-9340B (35W-394)

ALLIED STRUCTURAL STEEL COMPANY
ENGINEERS FABRICATORS ERECTORS
1425-1426TH STREET, HARBOR, INDIANA 46320

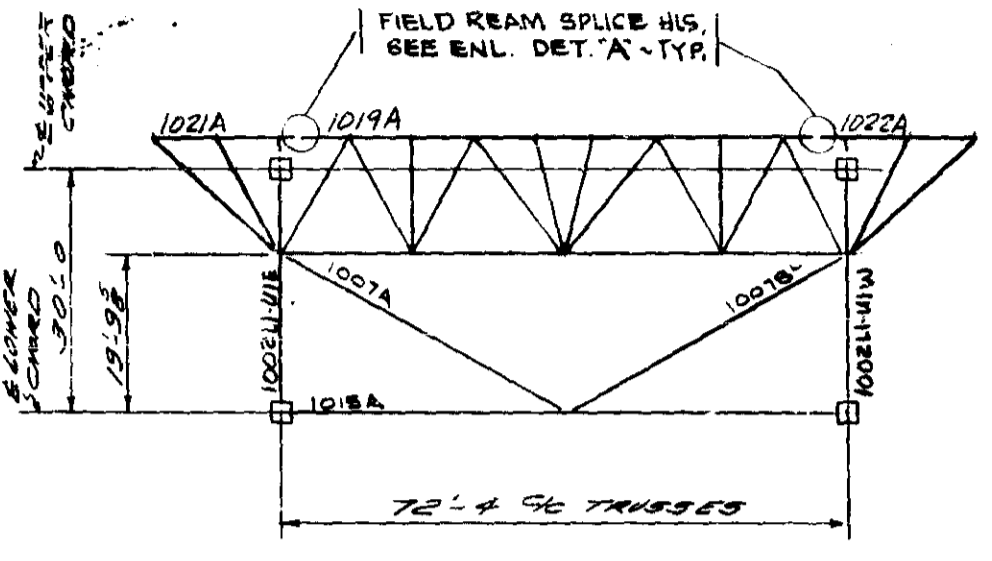
DETAILS OF ERECTION DIAGRAM STRINGERS-DIV. 12, 13, 14
STRUCTURE BRIDGE NO. 3340
LOCATION MINNEAPOLIS, MINNESOTA
OWNER MINNESOTA STATE HIGHWAY DEPT.
CUSTOMER MINNESOTA STATE HIGHWAY DEPT.

OPEN HOLES	RIVETS & BOLTS	PAINT		
DRAWN BY: <i>TL</i>	DATE: <i>11/2/55</i>	CHECKED BY: _____ DATE: _____		
REVISIONS	△	△	△	△

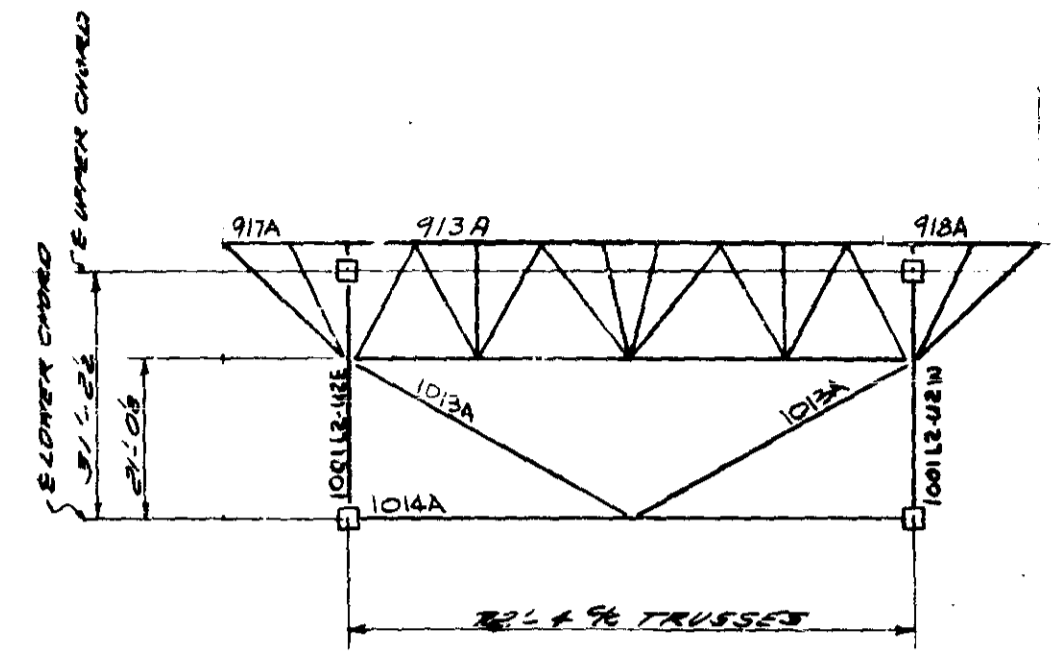
CONTRACT 3142 FABCOD _____ SHEET E9



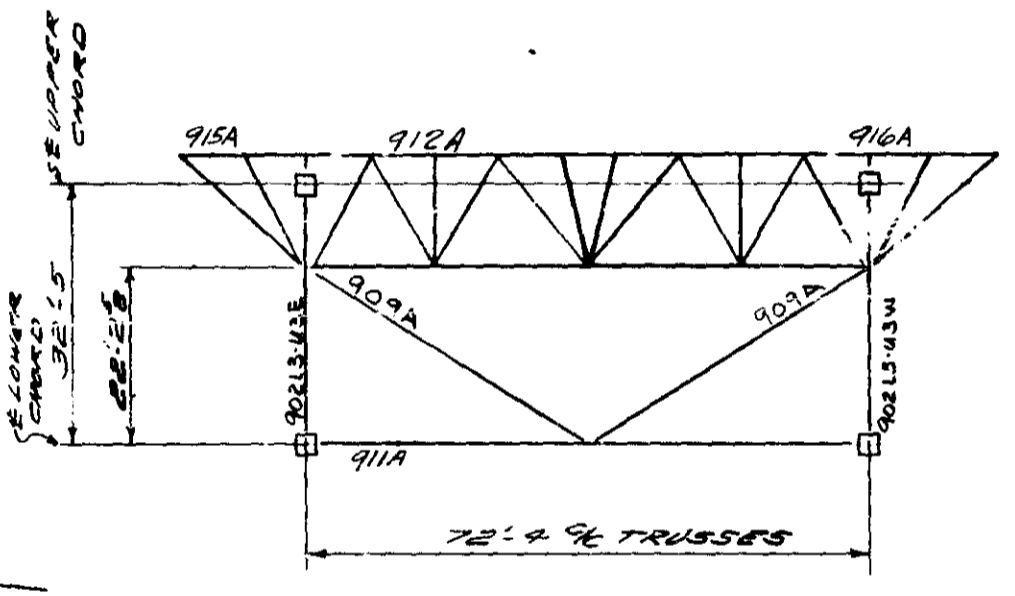
PLAN - UPPER LATERAL FRAMING



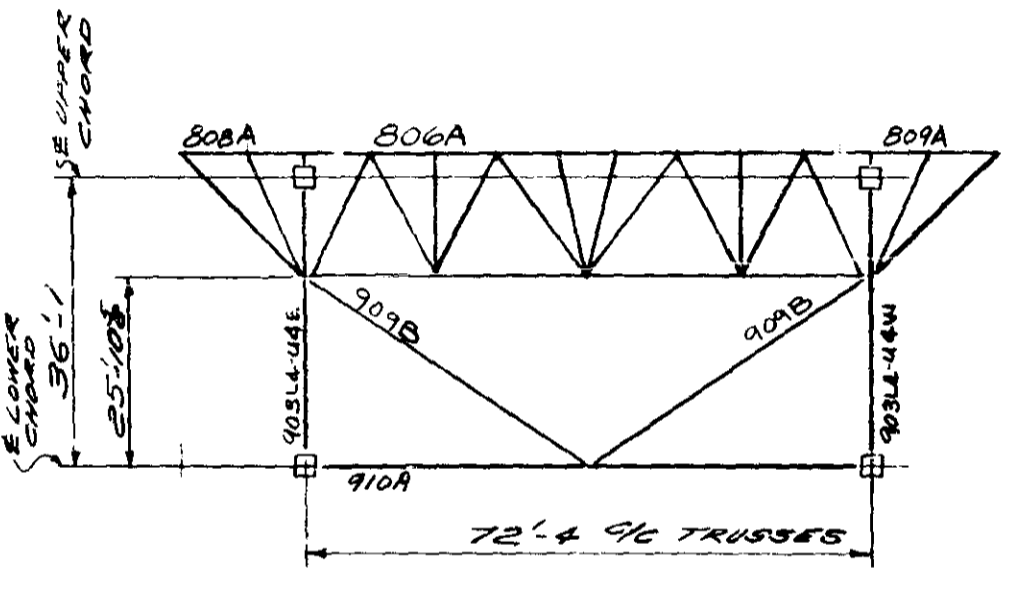
SECTION L1



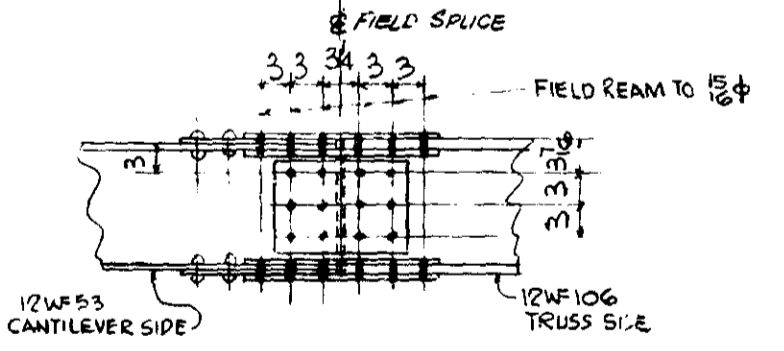
SECTION L2



SECTION L3

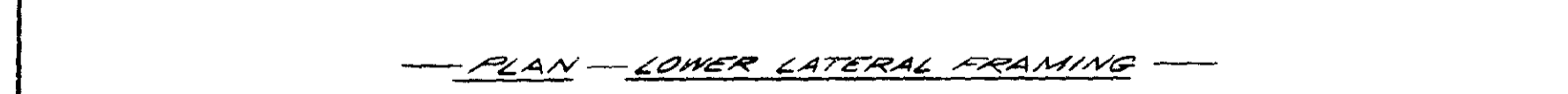


SECTION L4



DETAIL "A"
TYPICAL FIELD REAMING OF FL.
TRUSS FIELD SPLICES

NOTE:
ALL SECTIONS SHOWN LOOKING SOUTH.



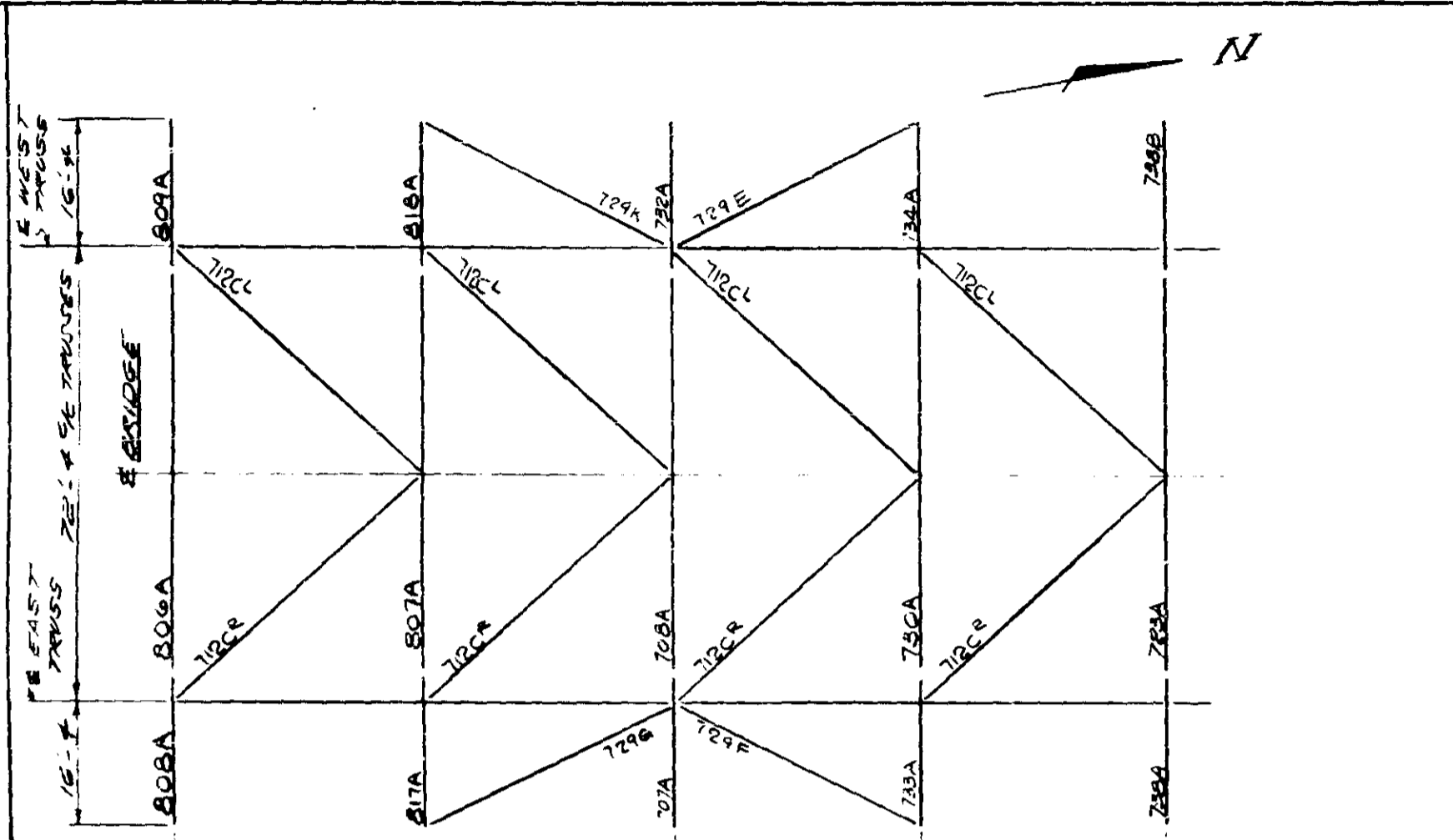
PLAN - LOWER LATERAL FRAMING

OPEN HOLES		RIVETS & BOLTS		PAINT	
DRAWN BY: <u>74E</u> DATE: <u>10/26/65</u> CHECKED BY: _____ DATE: _____					
REVISIONS	△	△	△	△	5-2-67
CONTRACT		FARCOD		SHEET	
3142				E10	

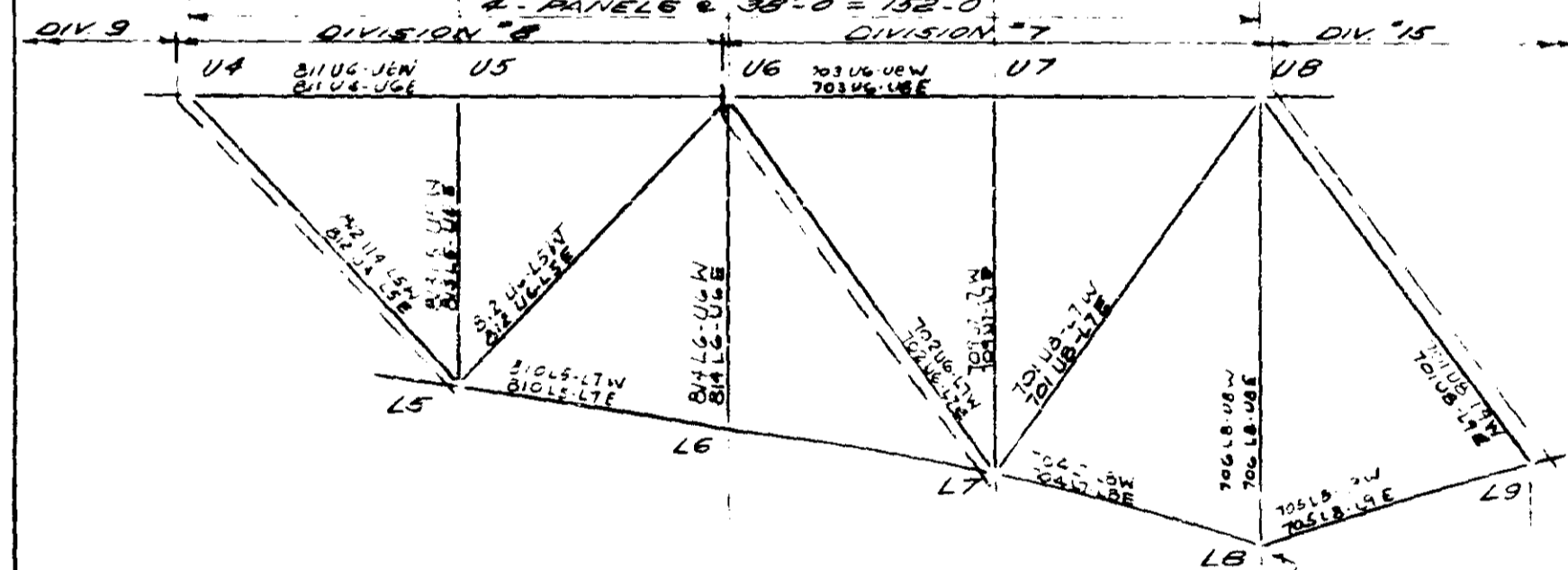
MICRO-FILMED
MINN PROJ. I-IG 35W-3(52) 112
STATE PROJ. 2783-9340B (35W-394)

ALLIED STRUCTURAL STEEL COMPANY
ENGINEERS, FABRICATORS, ERECTORS
1222 10TH STREET, HARBOR, MINN. 55402

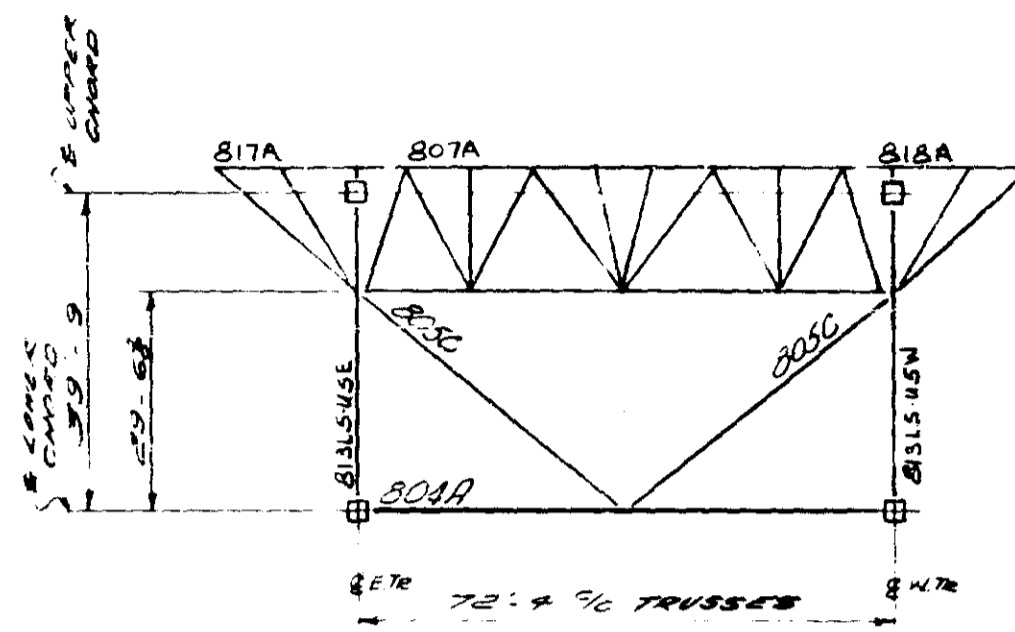
DETAILS OF ERECTION OVERLAP TRUSSES - UO TO L5
STRUCTURE: BRIDGE NO. 3340
LOCATION: MINNEAPOLIS, MINNESOTA
OWNER: MINNESOTA HWY. DEPT.
CUSTOMER: MINNESOTA HWY. DEPT.



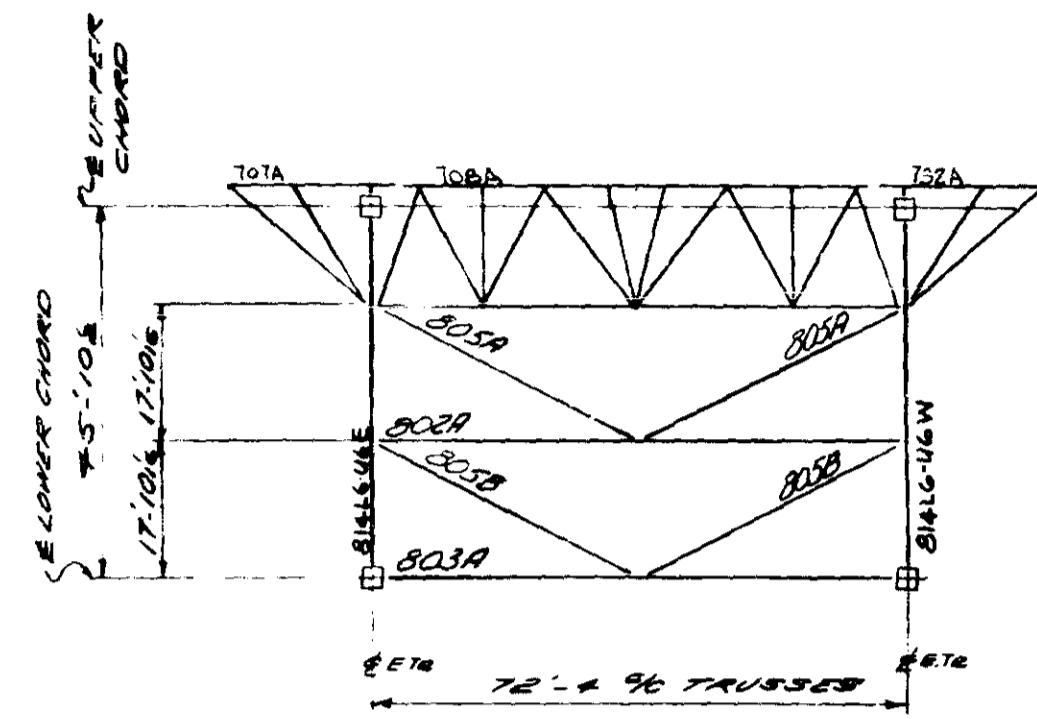
PLAN - UPPER LATERAL FRAMING



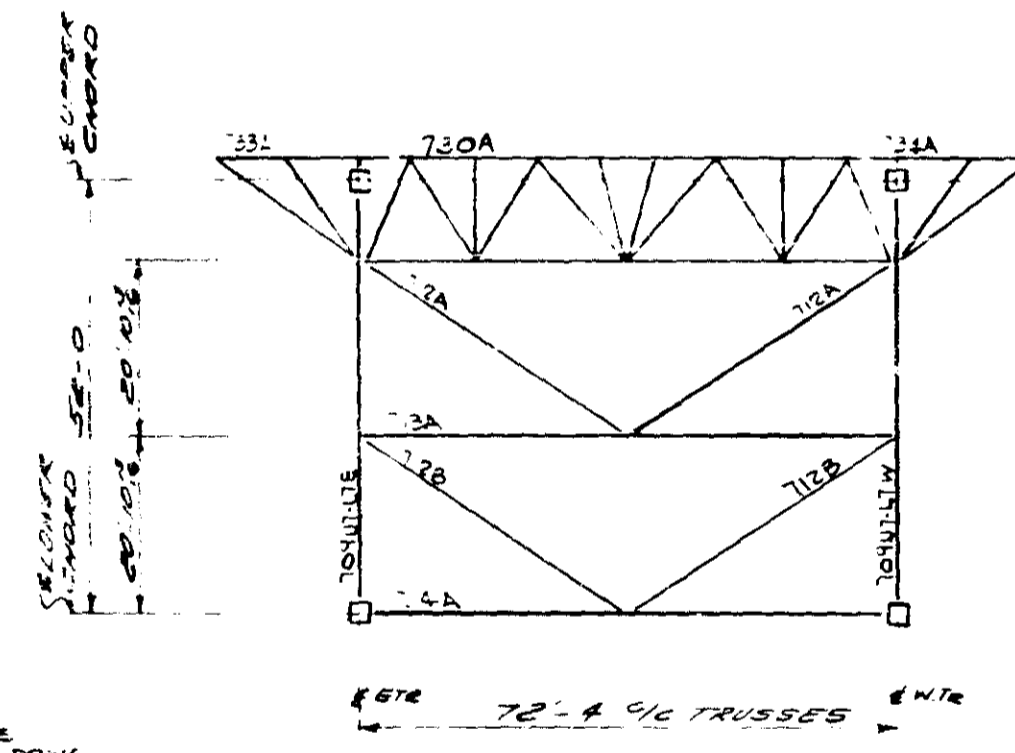
ELEVATION
(EAST TRUSS NEAR SIDE)
(WEST TRUSS FAR SIDE)



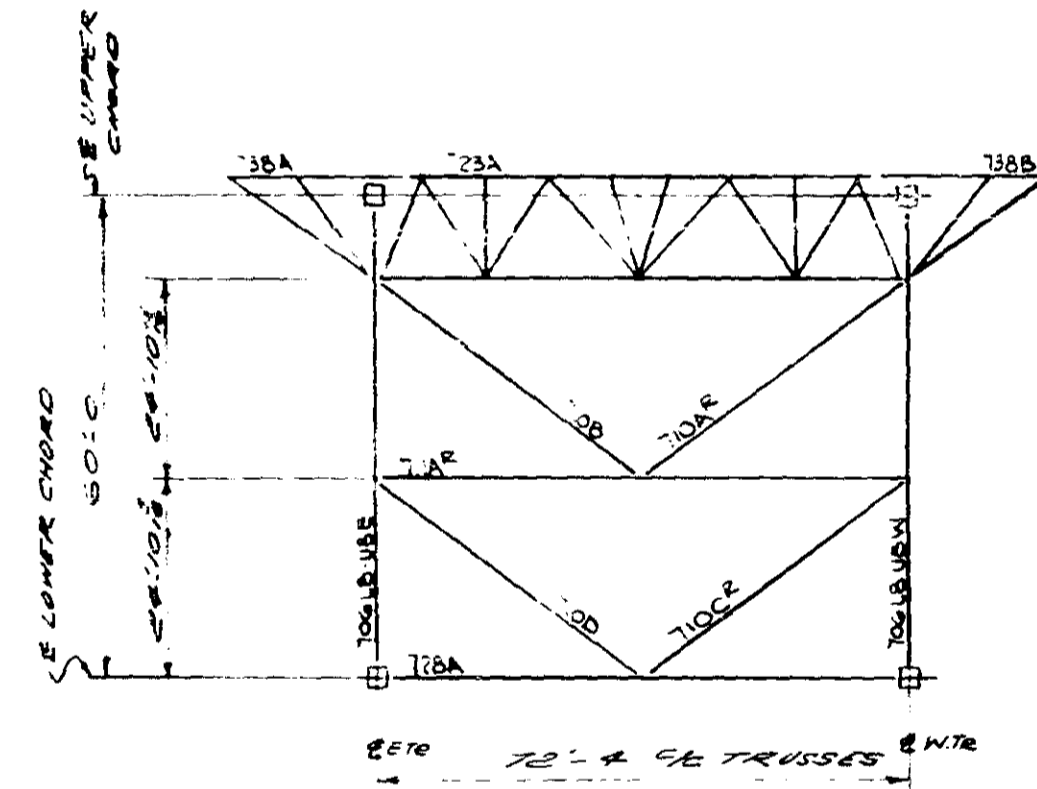
SECTION - L5



SECTION - L6

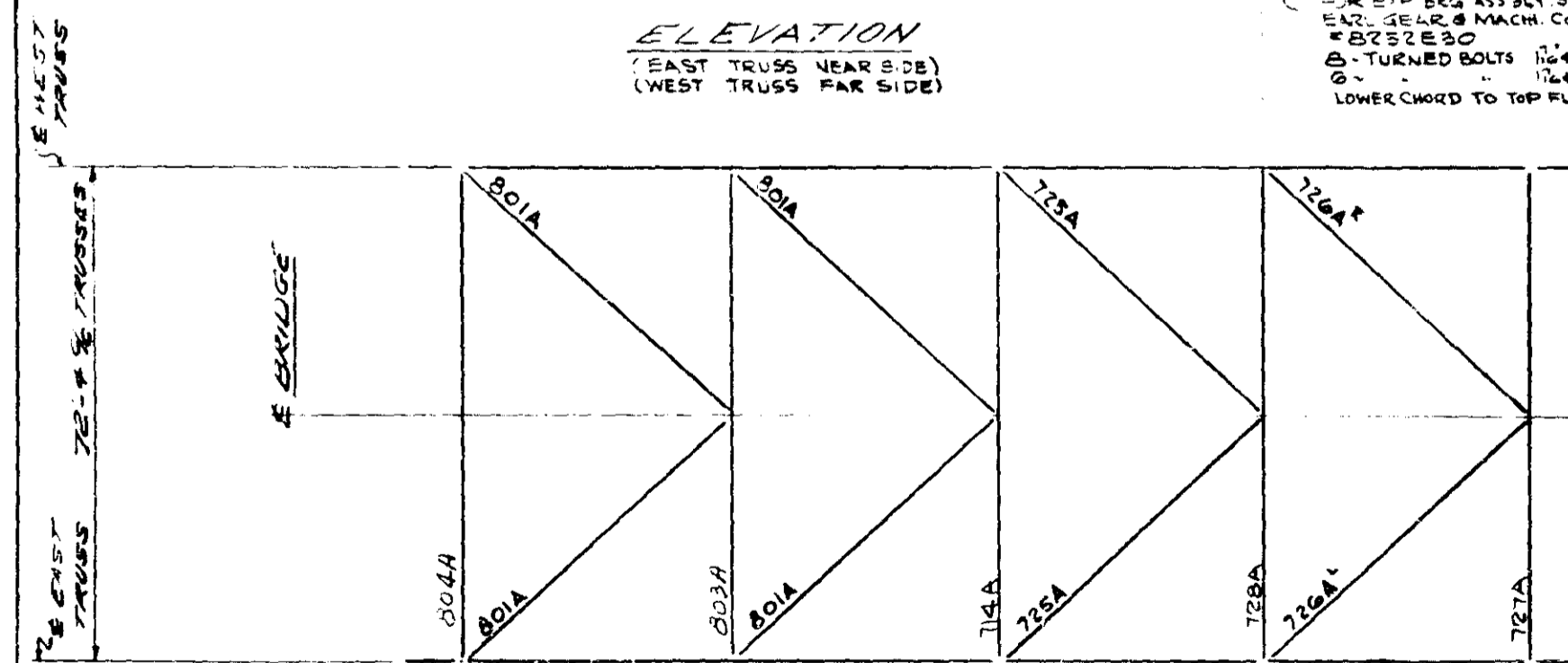


SECTION - L7



SECTION - L8

NOTE:
ALL SECTIONS SHOWN LOOKING SOUTH.



PLAN - LOWER LATERAL FRAMING

MINN PROJ. I-IG-35W-3(58) 112
STATE PROJ. 2783-9340B (35W-394)

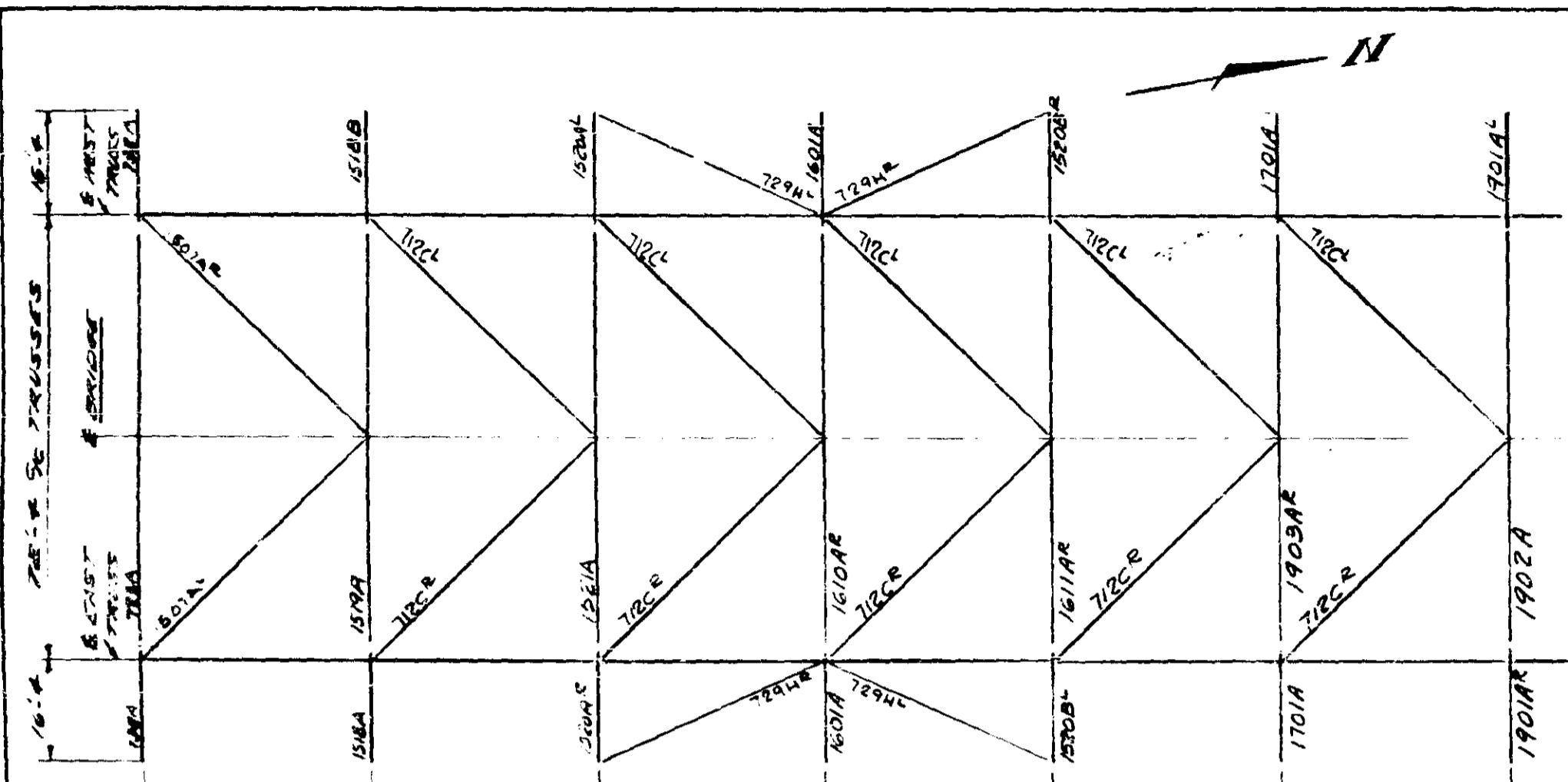
ALLIED STRUCTURAL STEEL COMPANY
 ENG'NEERS FABRICATORS ERECTORS
 1422 15TH STREET, HARBOR POINT, MINN.

DETAILS OF ERECTION DIAGRAM TRUSSES - U4 TO L9

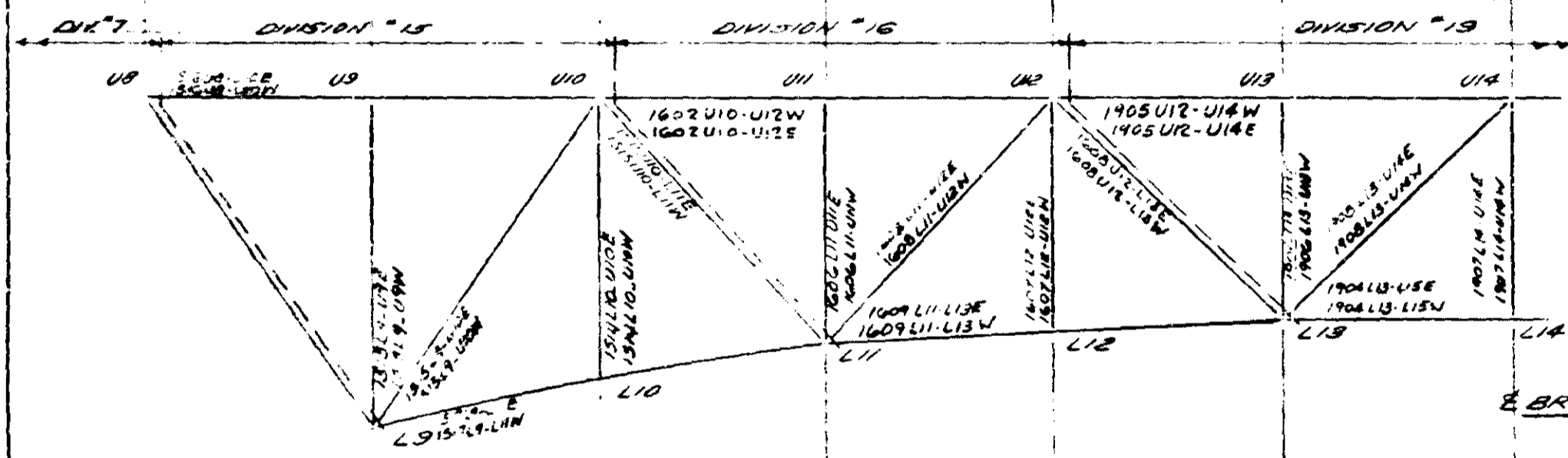
STRUCTURE	BRIDGE # 9340
LOCATION	MINNEAPOLIS, MINNESOTA
OWNER	MINNESOTA HWY DEPT.
CUSTOMER	MINNESOTA HWY DEPT.

OPEN HOLES	RIVETS & BOLTS	PAINT
DRAWN BY	DATE	CHECKED BY
REVISIONS	△	△
	△	△
	△	△
	△	5-7-67

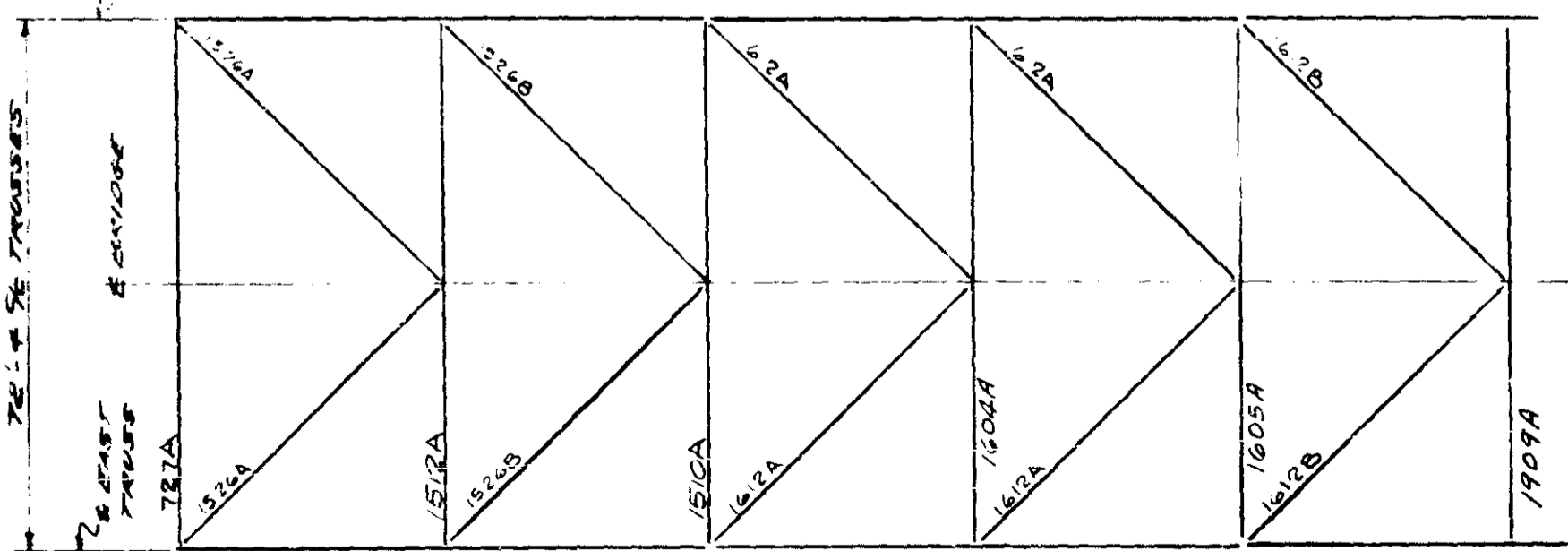
CONTRACT 3142 FABCOD SHEET E11



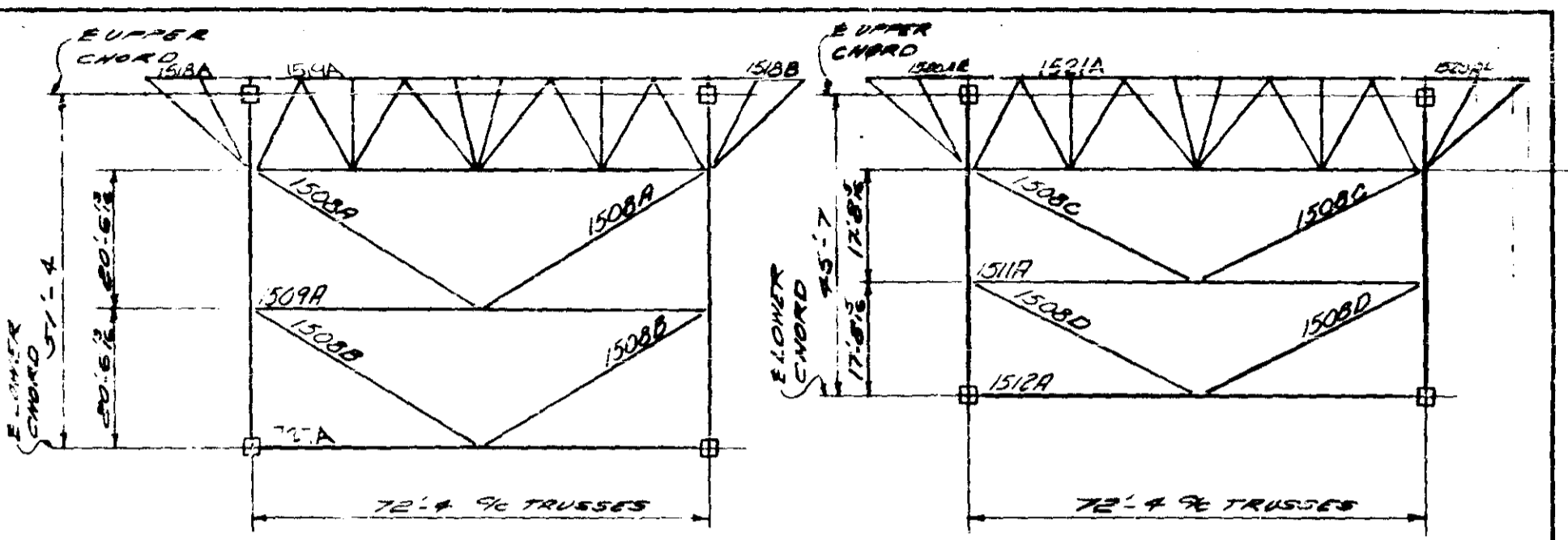
PLAN - UPPER LATERAL FRAMING
6 PANELS @ 38'-0" = 228'-0"



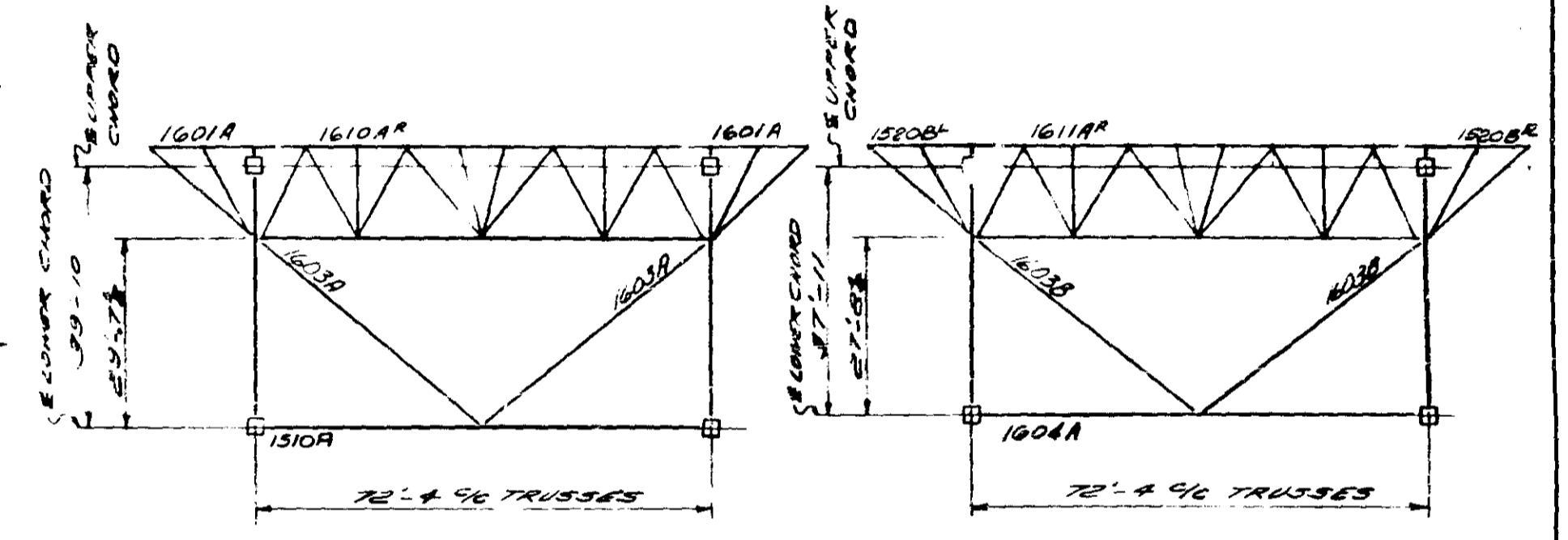
ELEVATION
EAST TRUSS - NEAR SIDE
WEST TRUSS - FAR SIDE



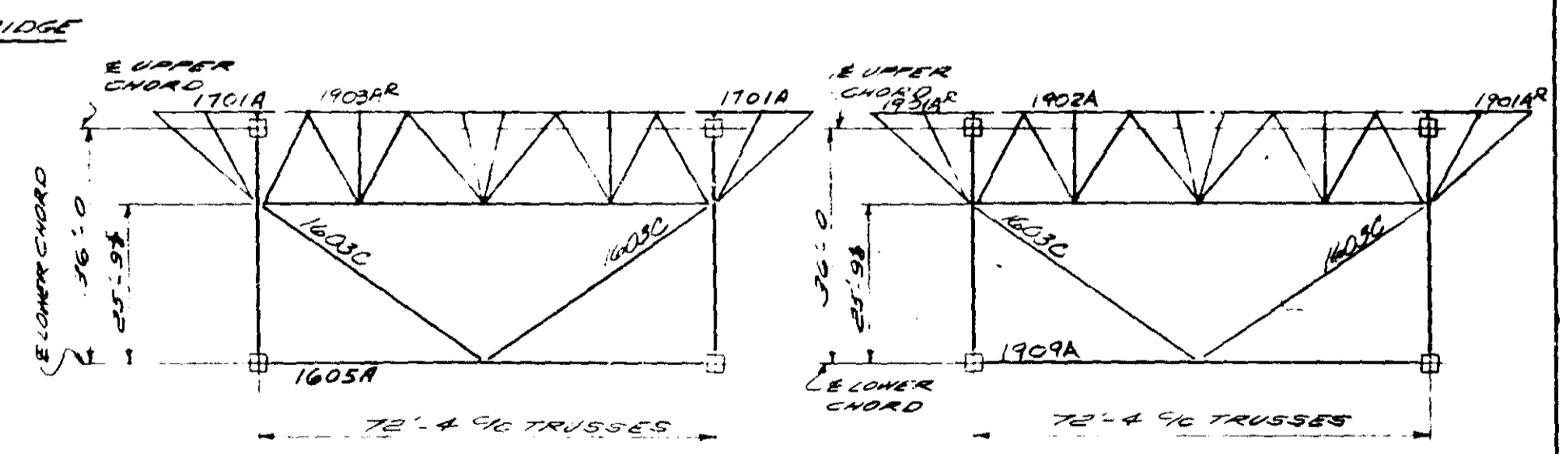
PLAN - LOWER LATERAL FRAMING



SECTION L9 SECTION L10



SECTION L11 SECTION L12



SECTION L13 SECTION L14

NOTE:
ALL SECTIONS SHOWN LOOKING SOUTH.

MINN. PROJ. I-IG-35W-5(58) 112
STATE PROJ. 2783-9340B(35W-394)

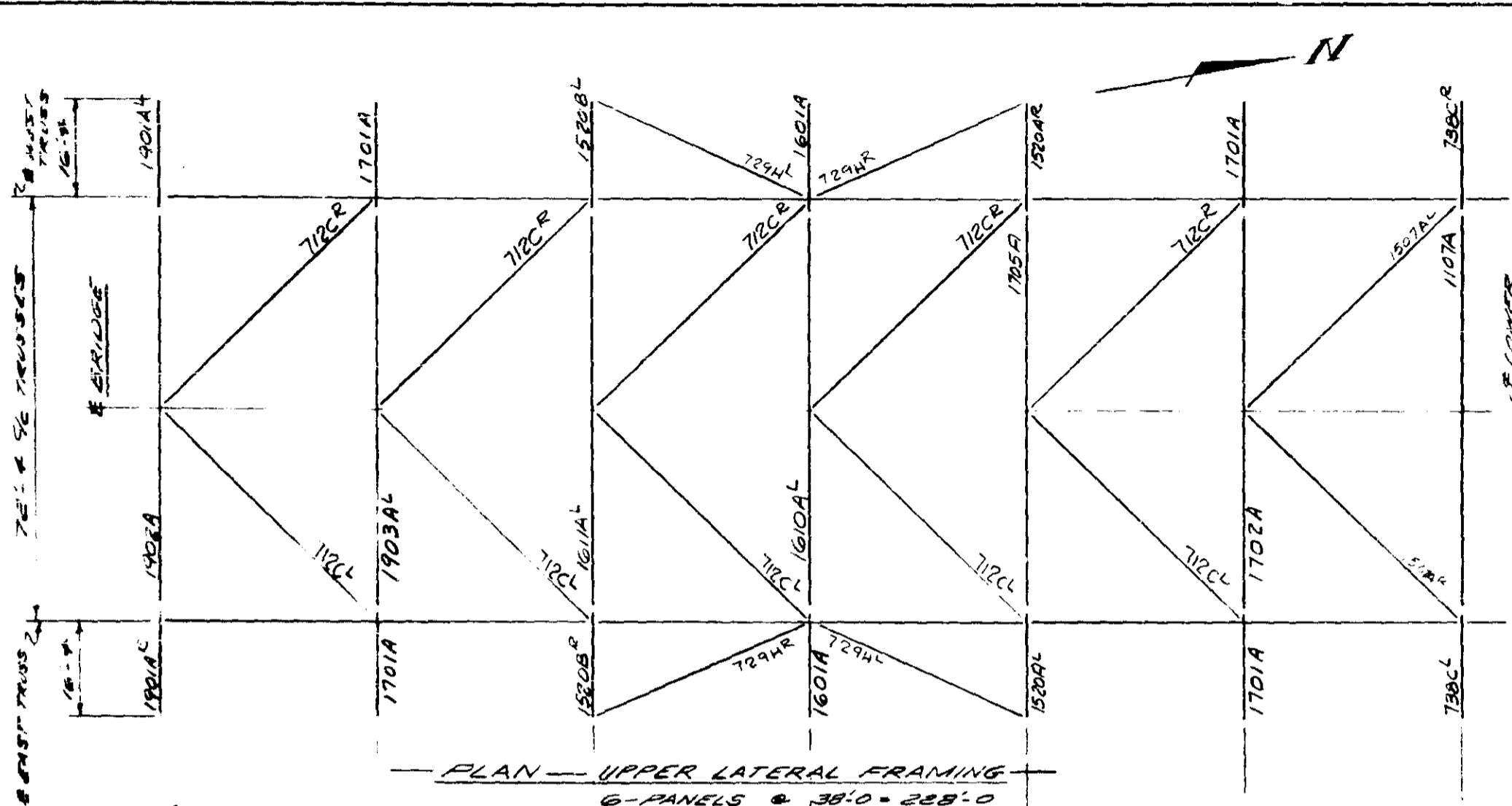
ALLIED STRUCTURAL STEEL COMPANY
ENGINEERS ARCHITECTS ERECTORS

DETAILS OF ERECTION DIAGRAM TRUSSES U8 TO U14
BRIDGE NO. 3330
LOCATION: MINNEAPOLIS, MINNESOTA
OWNER: MINNESOTA STATE HWY DEPT.
CUSTOMER: MINNESOTA STATE HWY DEPT.

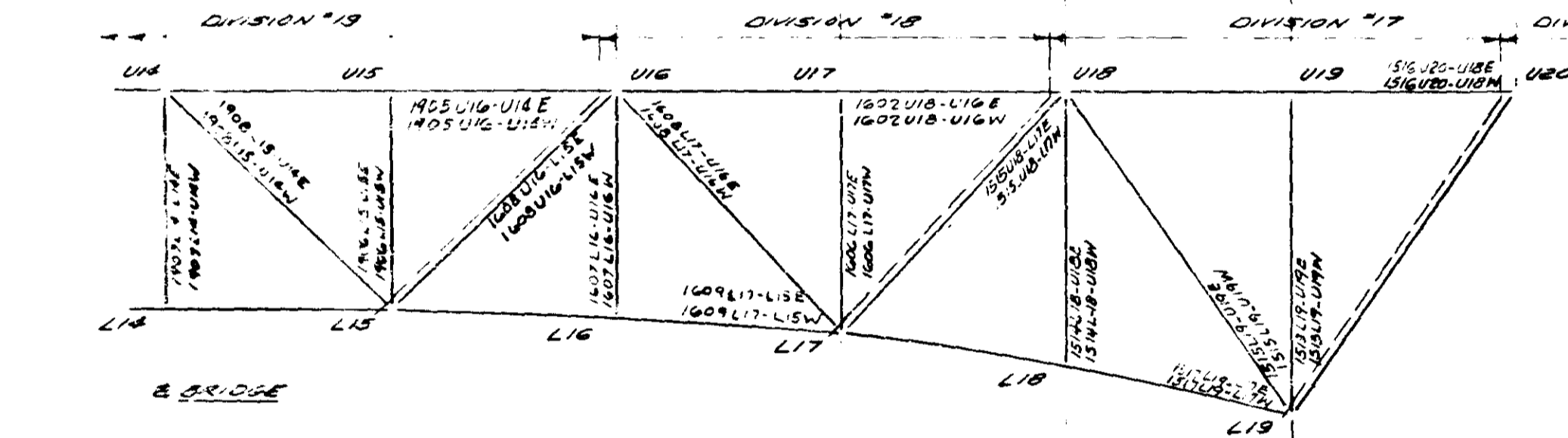
DIVISIONS 15, 16 & 17

OPEN HOLES	RIVETS & BOLTS	PAINT		
DRAWN BY: RL	DATE: 2/1/65	CHECKED BY: DATE:		
REVISIONS	△	△	△	△

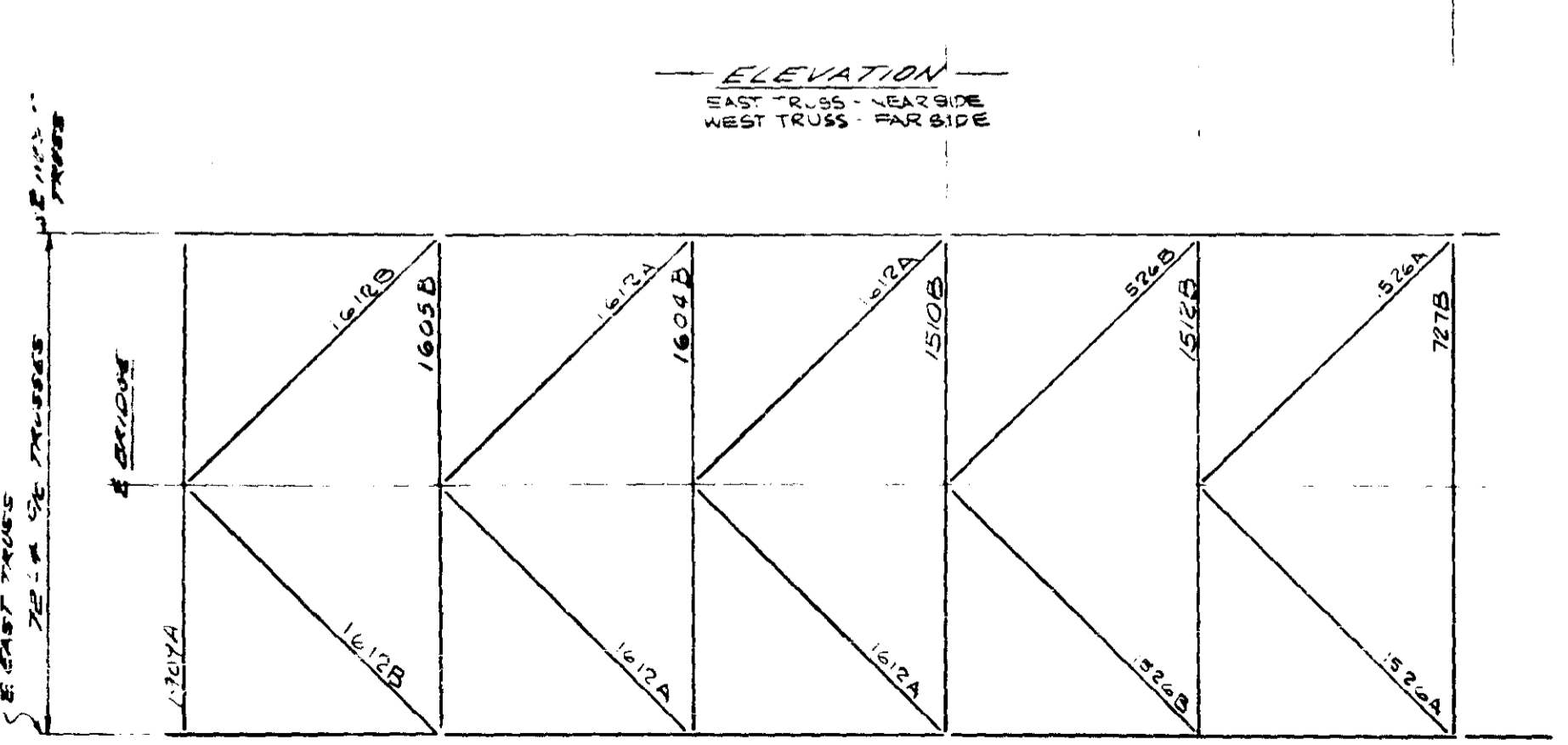
CONTRACT 3142 FABCOD SHEET E12



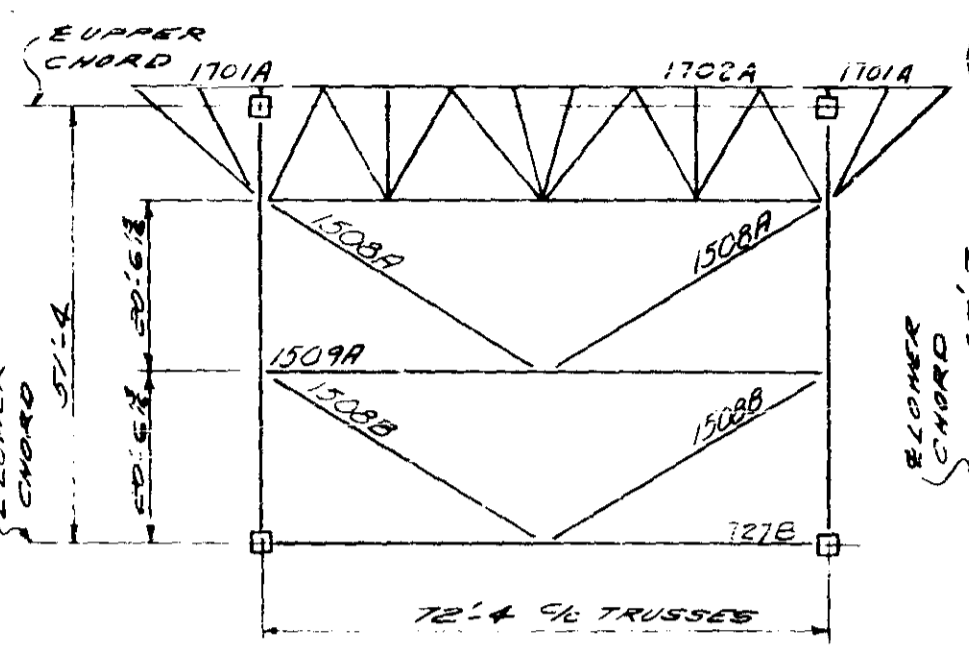
PLAN - UPPER LATERAL FRAMING
6 PANELS @ 38'-0" = 228'-0"



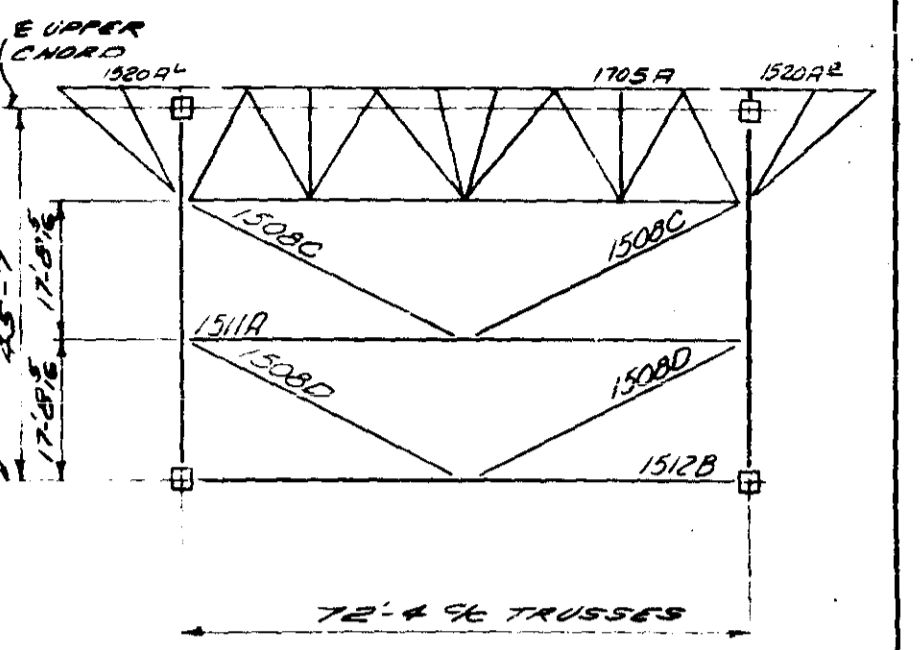
ELEVATION
EAST TRUSS - NEAR SIDE
WEST TRUSS - FAR SIDE



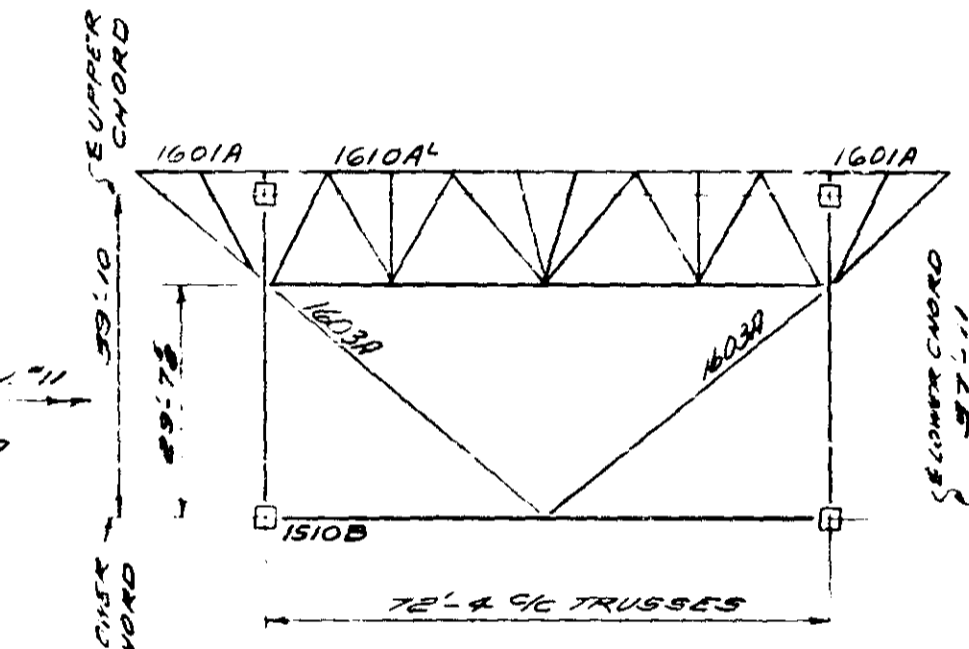
PLAN - LOWER LATERAL FRAMING



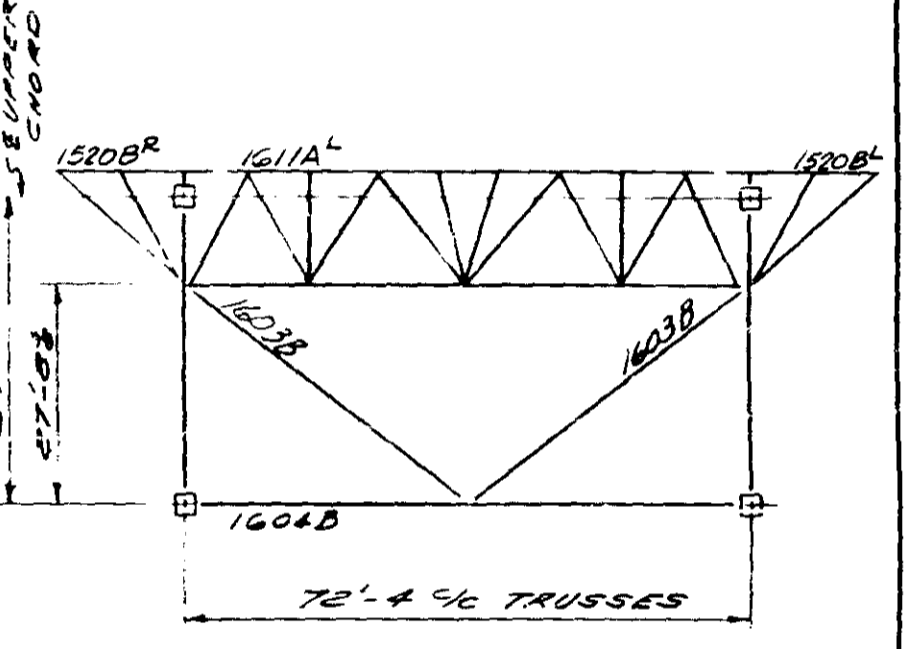
SECTION & L19



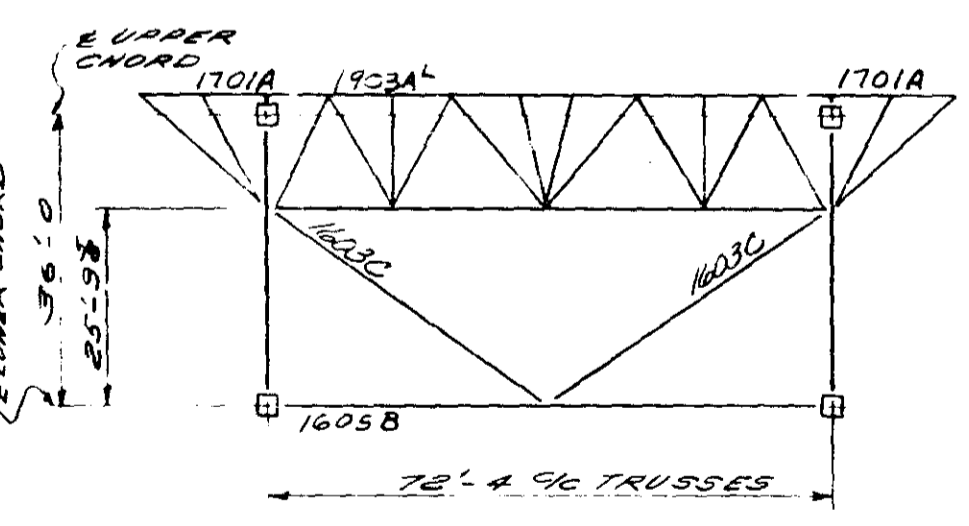
SECTION & L18



SECTION & L17



SECTION & L16



SECTION & L15

NOTE:
ALL SECTIONS SHOWN LOOKING SOUTH

MICRO-FILMED

MINN. PROJ IIG-35W-3(38) 112
STATE PROJ 2783-9340B (35W-394)

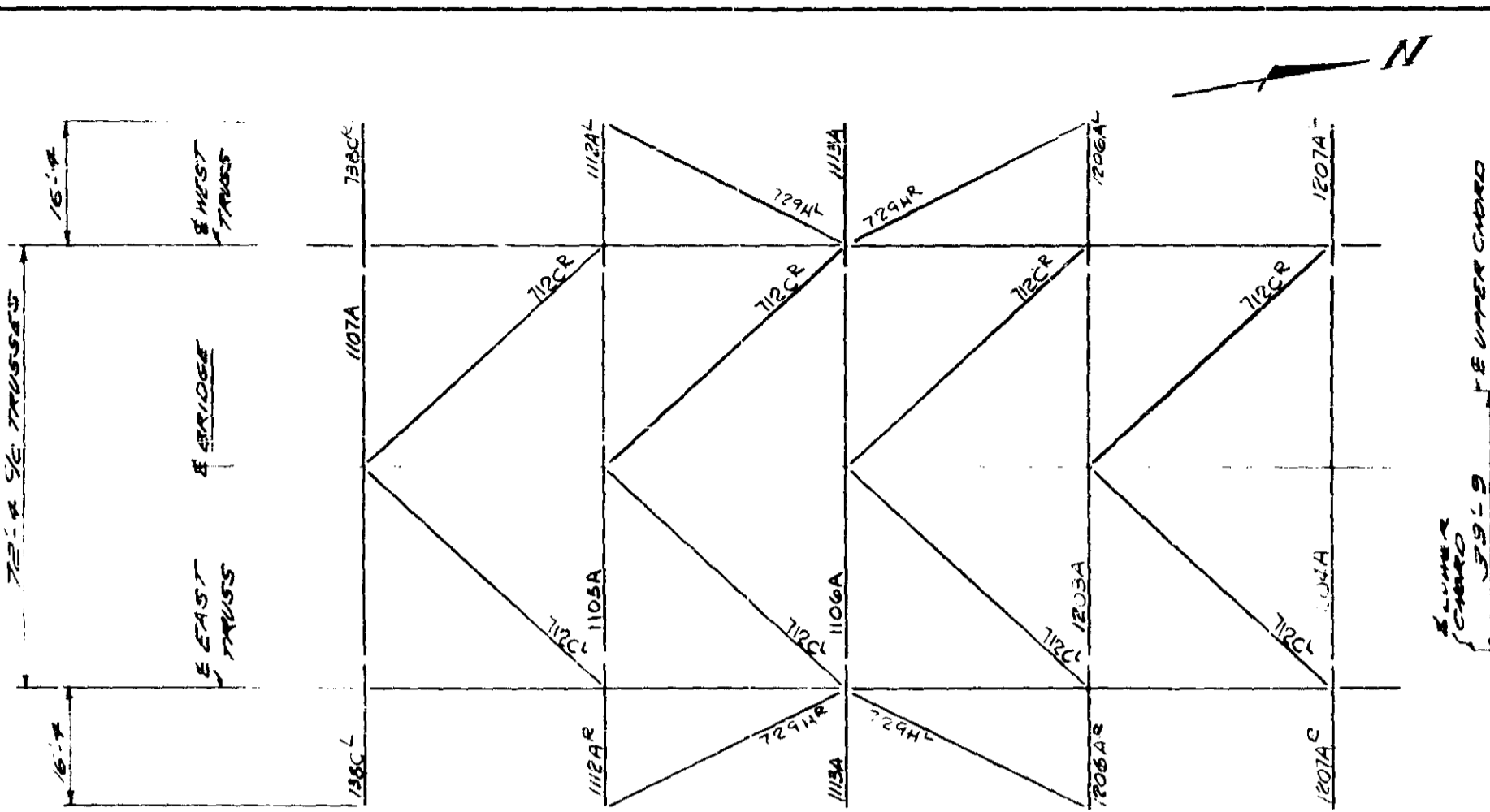
ALLIED STRUCTURAL STEEL COMPANY
E.O. & F.B. FABRICATORS & ERECTORS
1220 12TH STREET MINNEAPOLIS, MINN. 55402

DETAILS OF ERECTION DIAGRAM TRUSSES & GIRTS TO U20
STRUCTURE BRIDGE NO. 3340

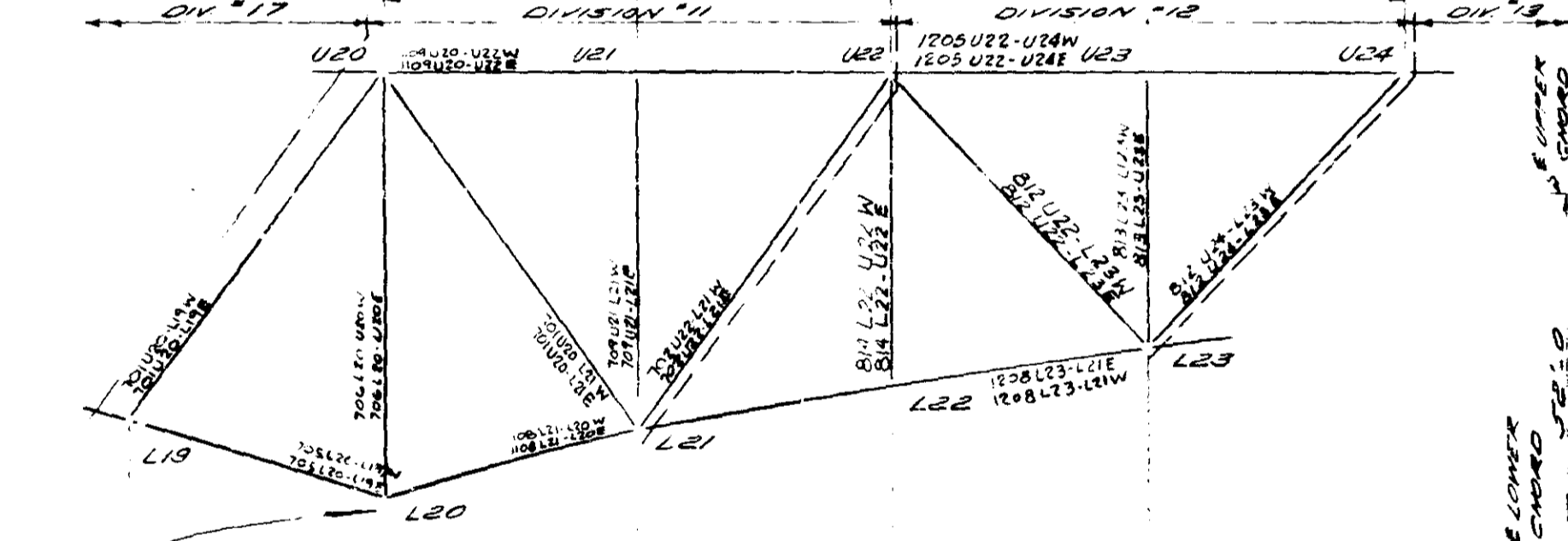
LOCATION MINNEAPOLIS, MINNESOTA
OWNER MINNESOTA STATE HWY DEPT.
CUSTOMER MINNESOTA STATE HWY DEPT.

OPEN HOLES	RIVETS & BOLTS	PAINT
DRAWN BY <i>TR</i>	DATE 12/18/65	CHECKED BY
REVISIONS	△	△

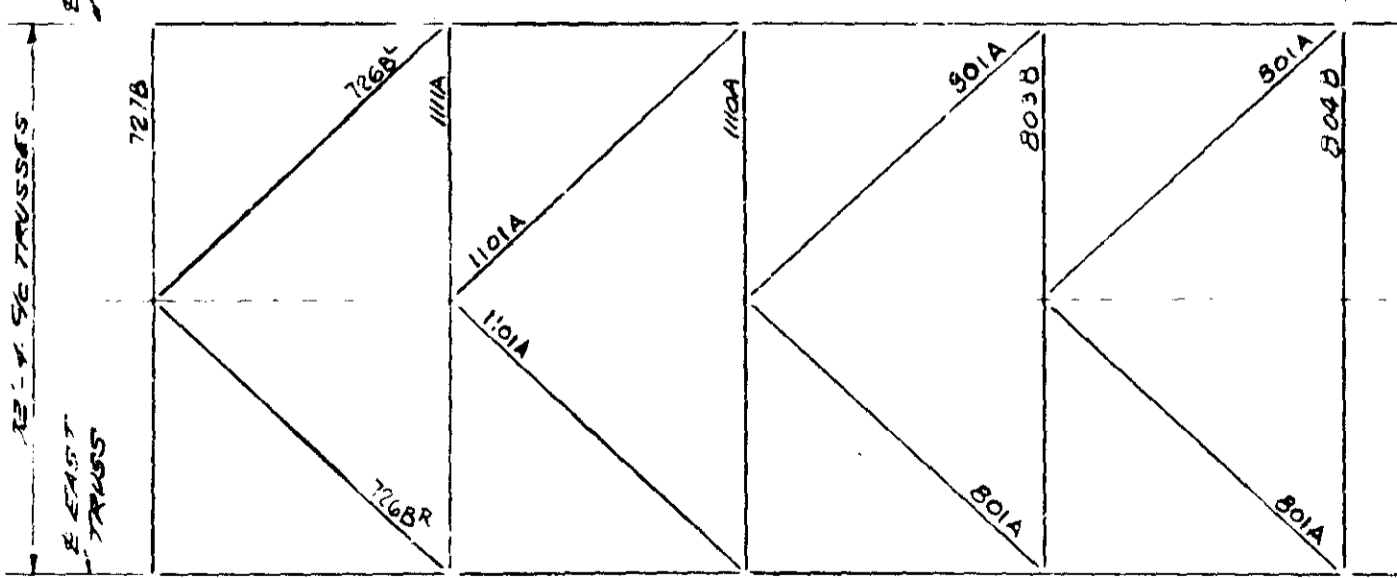
CONTRACT 3142 FABCOD SHEET E13



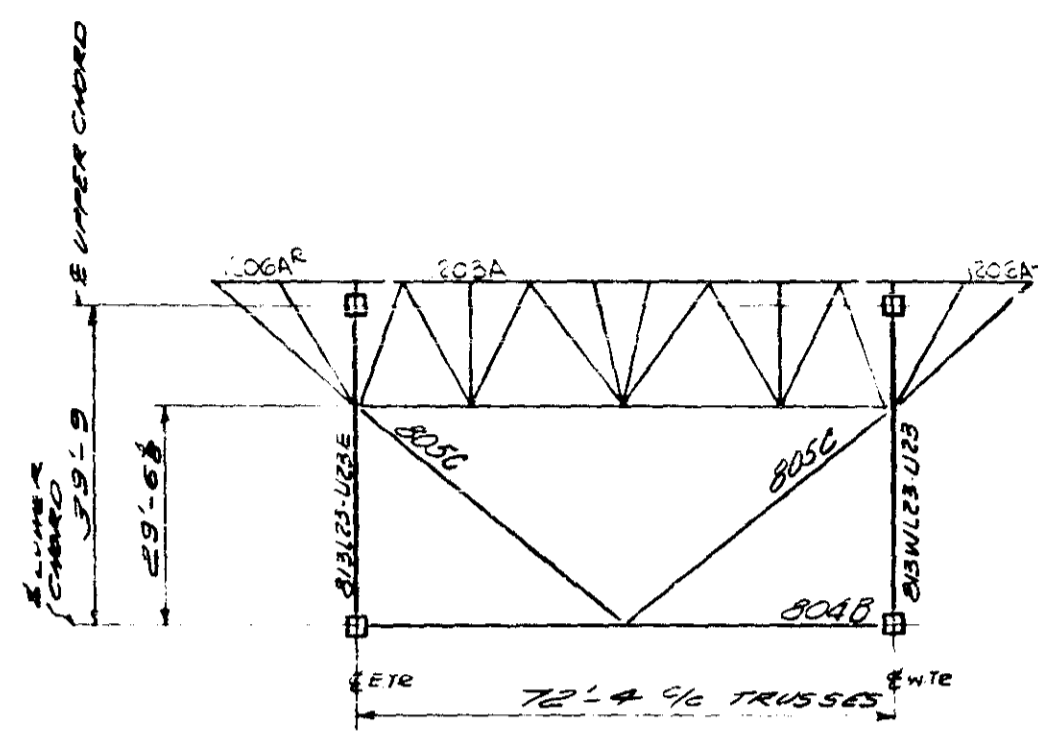
PLAN — UPPER LATERAL FRAMING
4 PANELS @ 78' 0" = 312' 0"



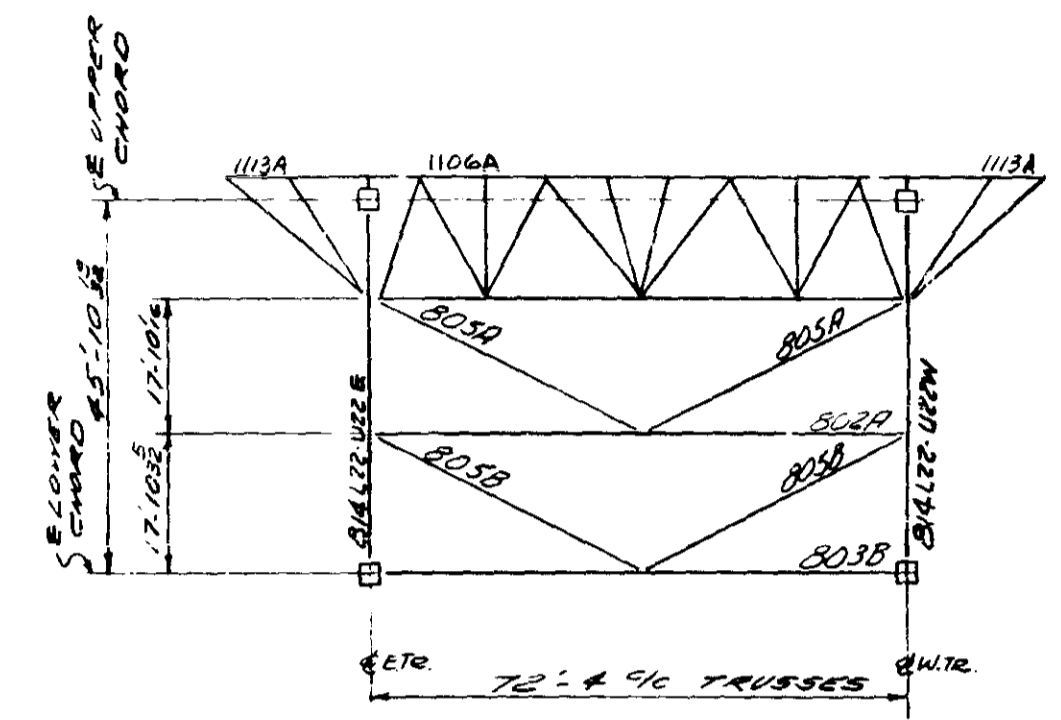
ELEVATION
(EAST TRUSS NEAR SIDE)
(WEST TRUSS FAR SIDE)



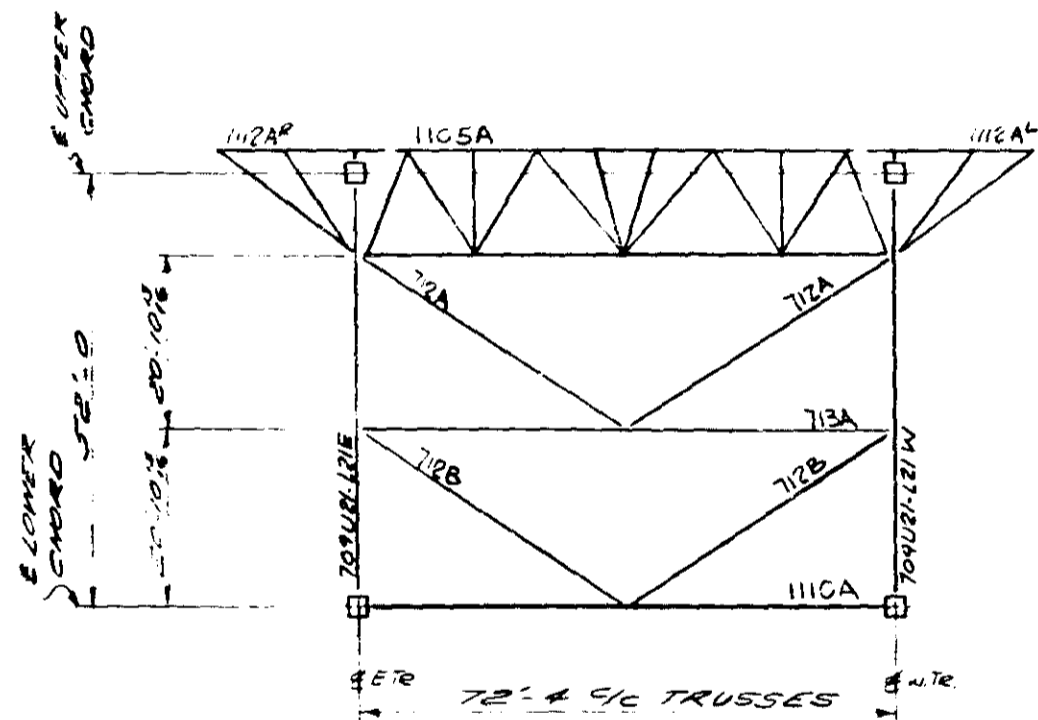
PLAN — LOWER LATERAL FRAMING



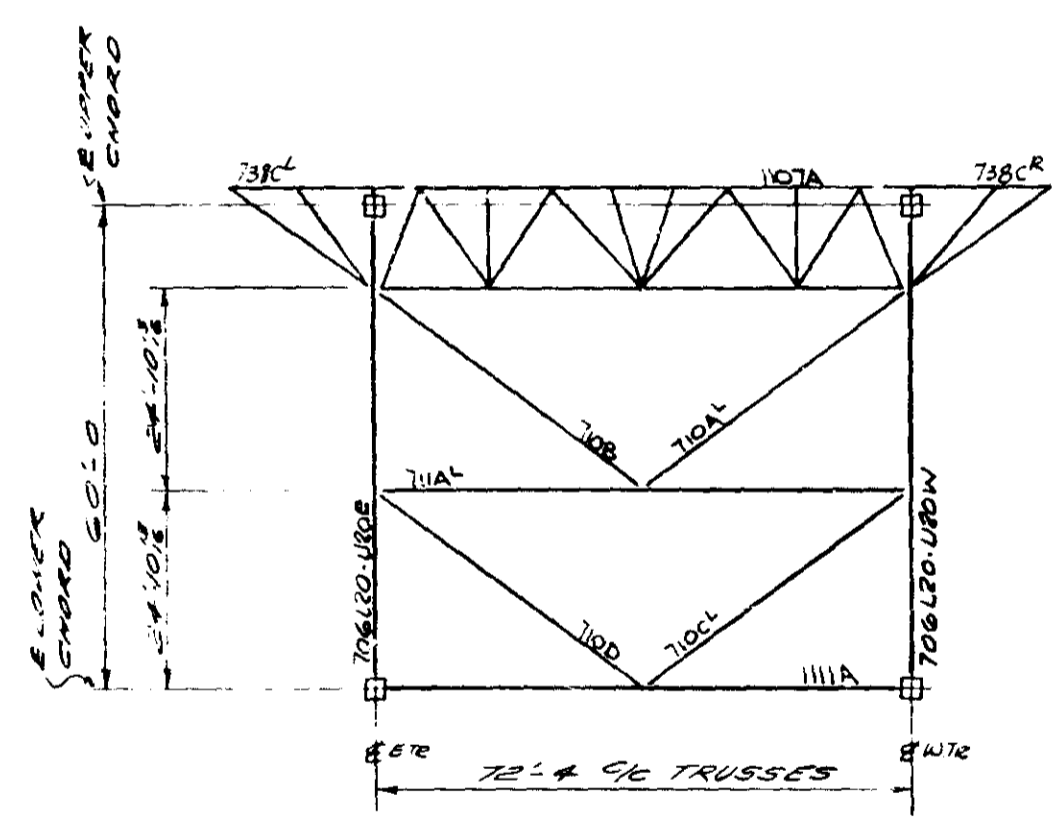
SECTION • L23



SECTION • L22



SECTION • L21



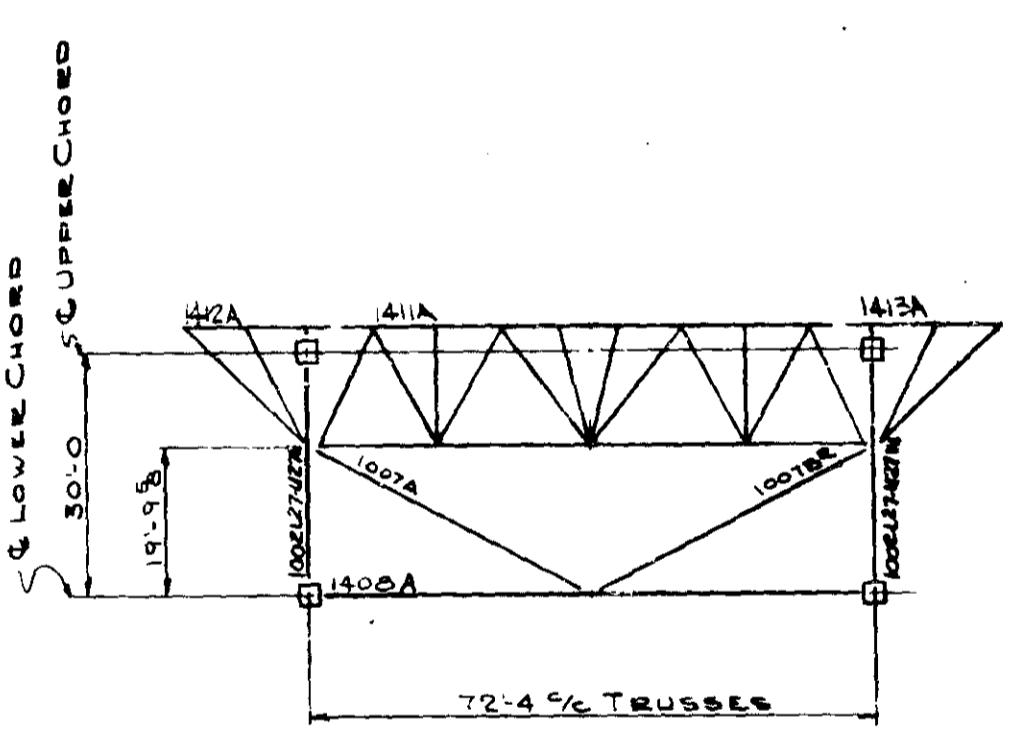
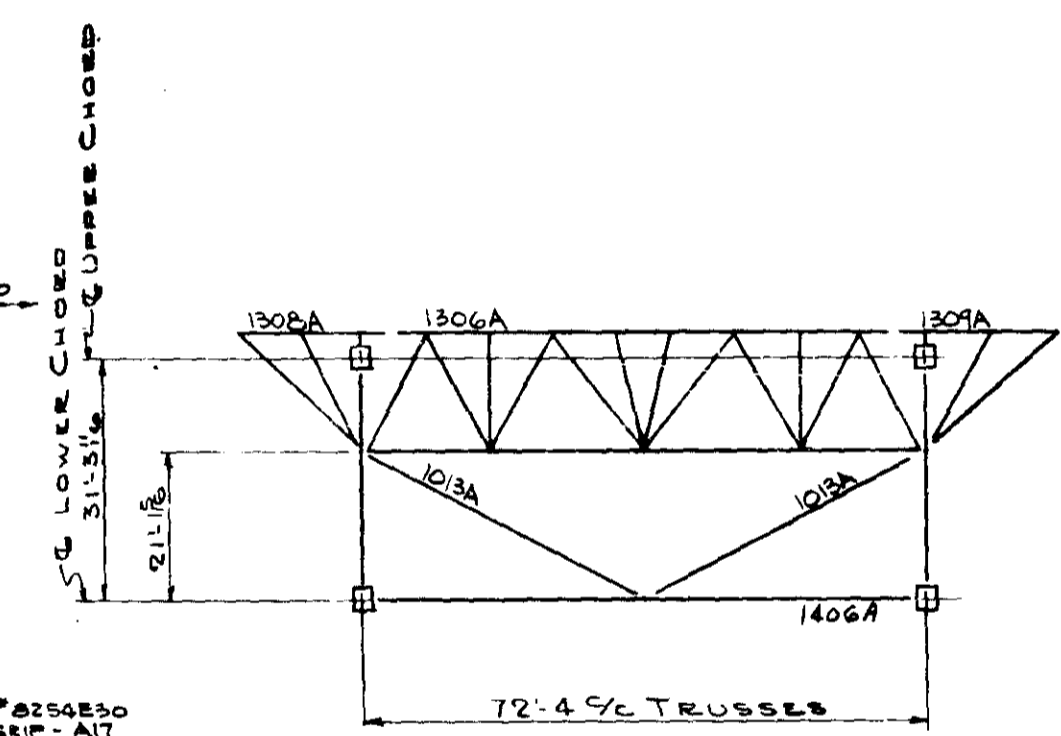
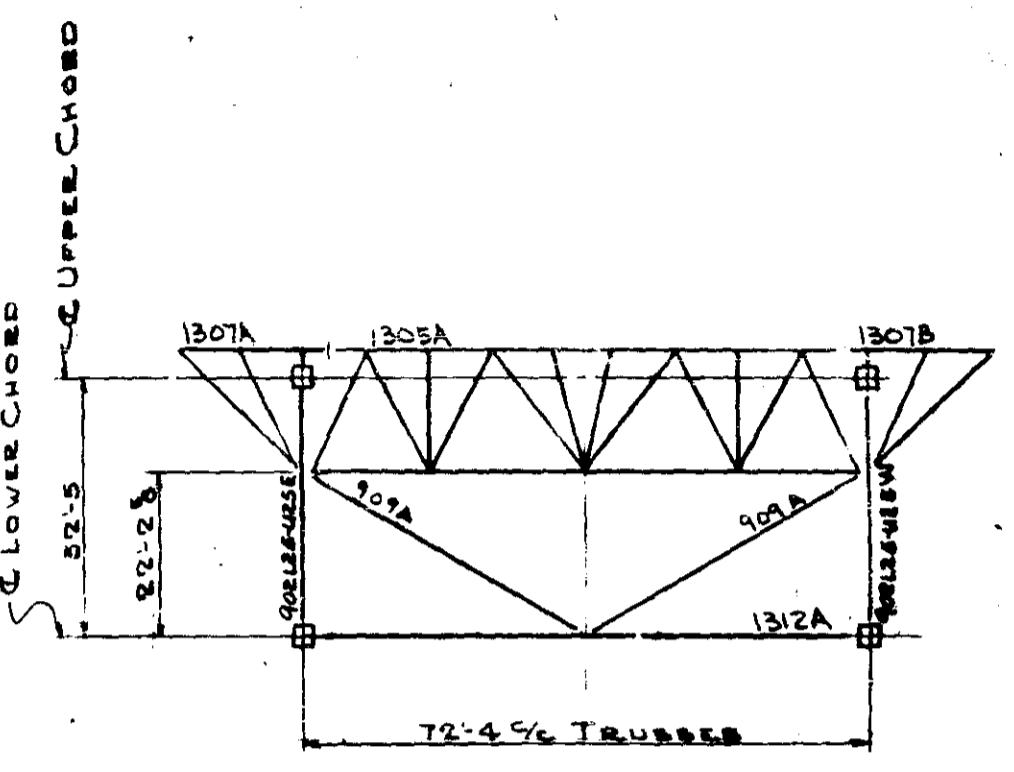
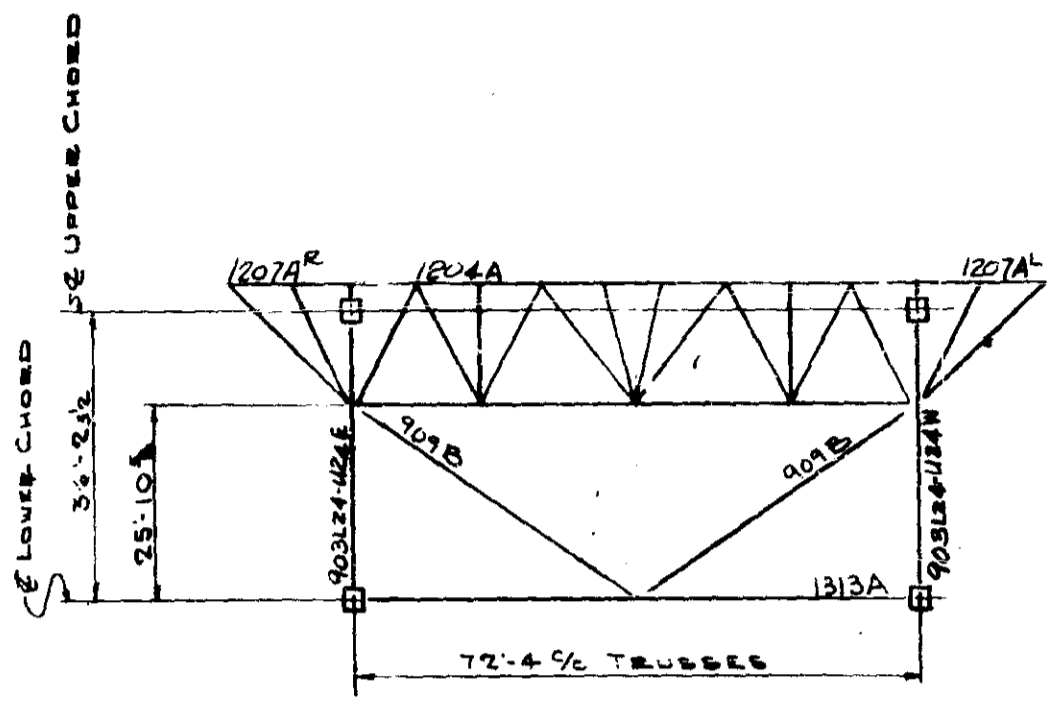
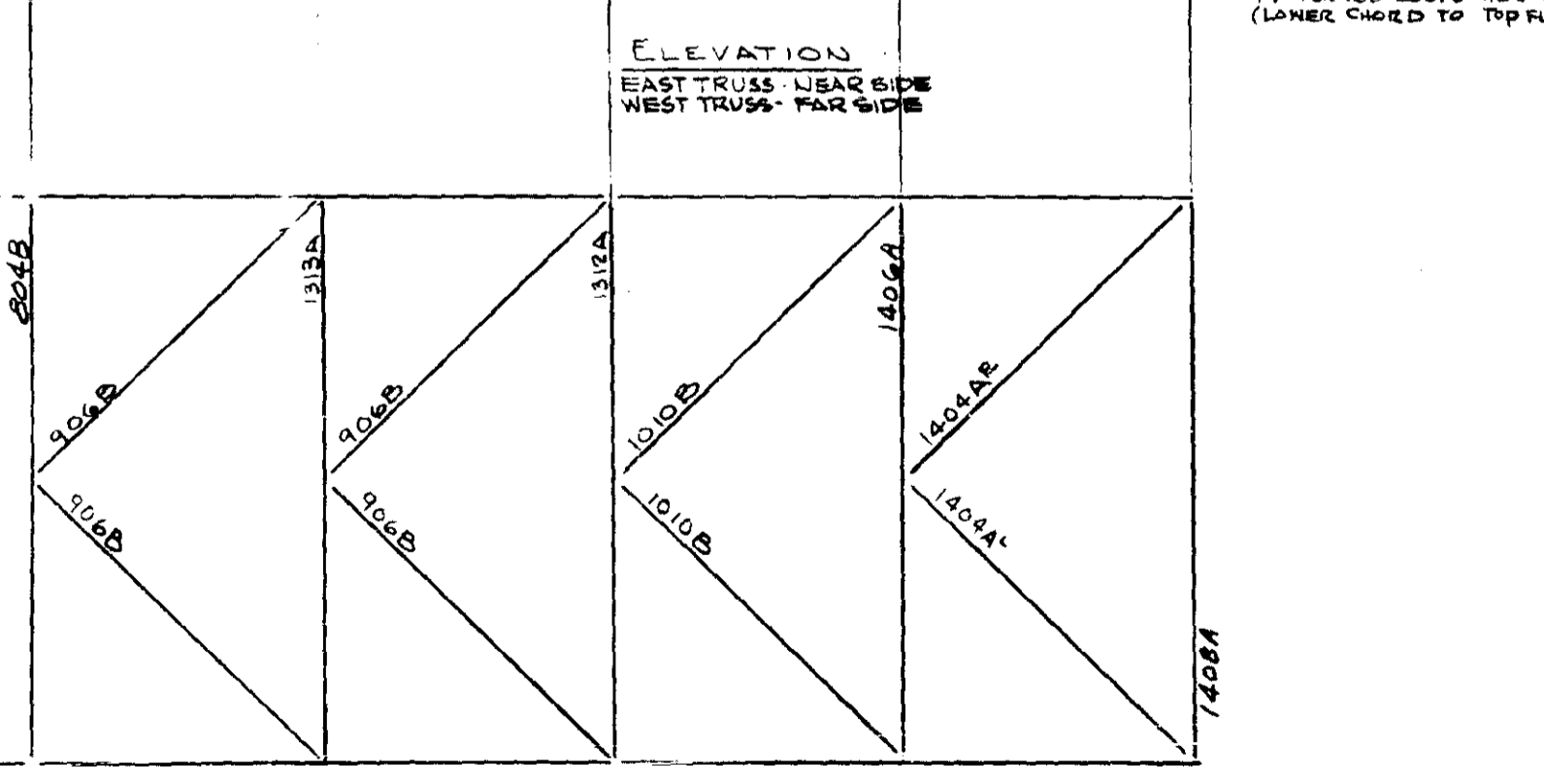
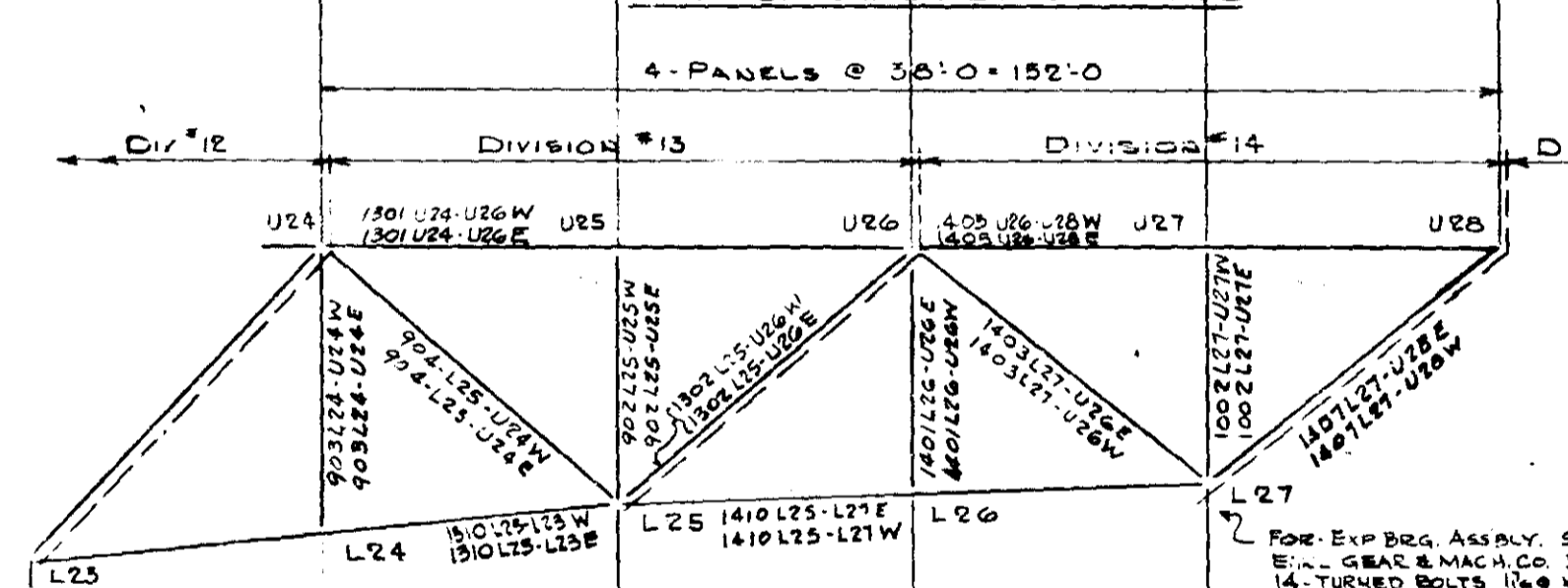
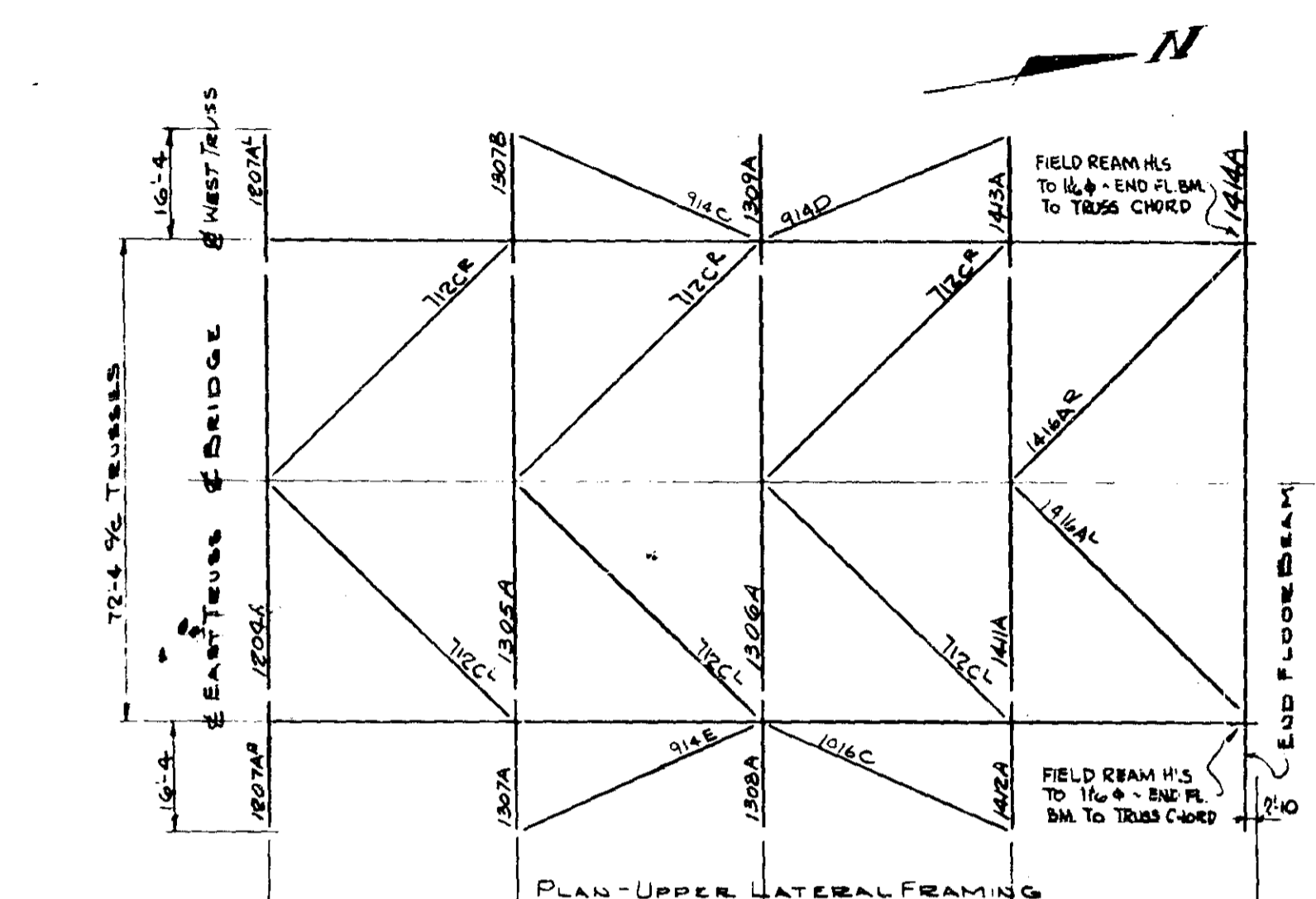
SECTION • L20

NOTE:
ALL SECTIONS SHOWN LOOKING SOUTH

MINN PROJ I-IG-35W-3(5B) 112
STATE PROJ. 2783-93406 (35W-394)

ALLIED STRUCTURAL STEEL COMPANY
ENGINEERS ARCHITECTS INSPECTORS
1125 12TH STREET, MINNEAPOLIS, MINN. 55402

DETAILS OF ERECTION DIAGRAM TRUSSES & L19 TO U24	
STRUCTURE	BRIDGE NO. 3340
LOCATION	MINNEAPOLIS, MINNESOTA
OWNER	MINNESOTA STATE HWY. DEPT.
CUSTOMER	MINNESOTA STATE HWY. DEPT.
CONTRACT	3142
FABCODE	
SHEET	E14
OPEN HOLES	RIVETS & BOLTS PAINT
DRAWN BY	DATE 2/1/65 CHECKED BY J.W. DATE
REVISIONS	△ △ △ △



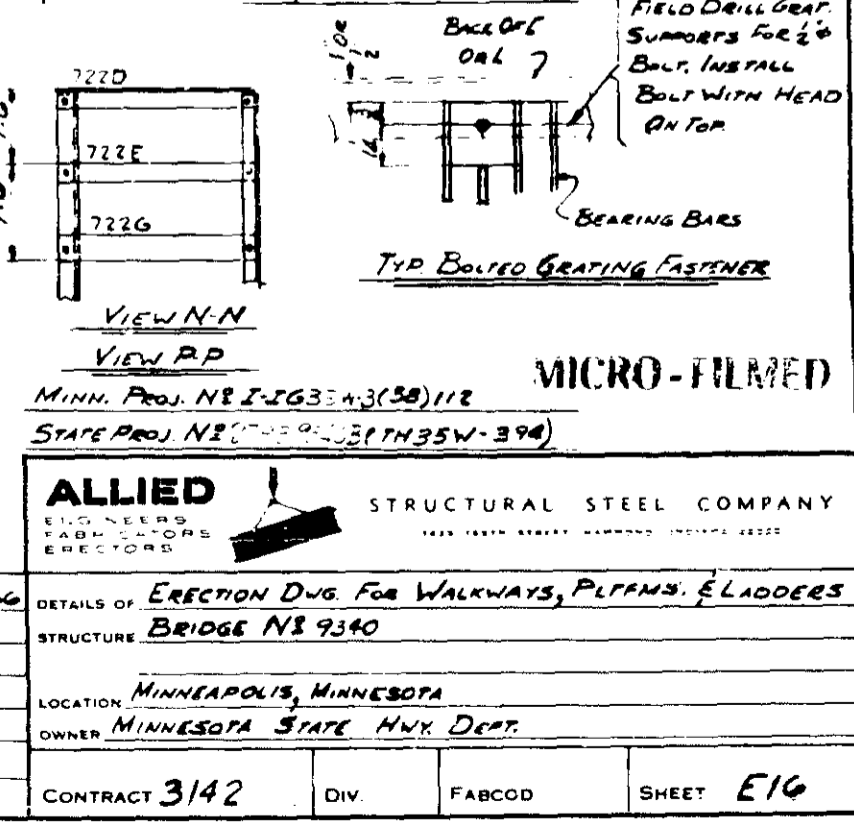
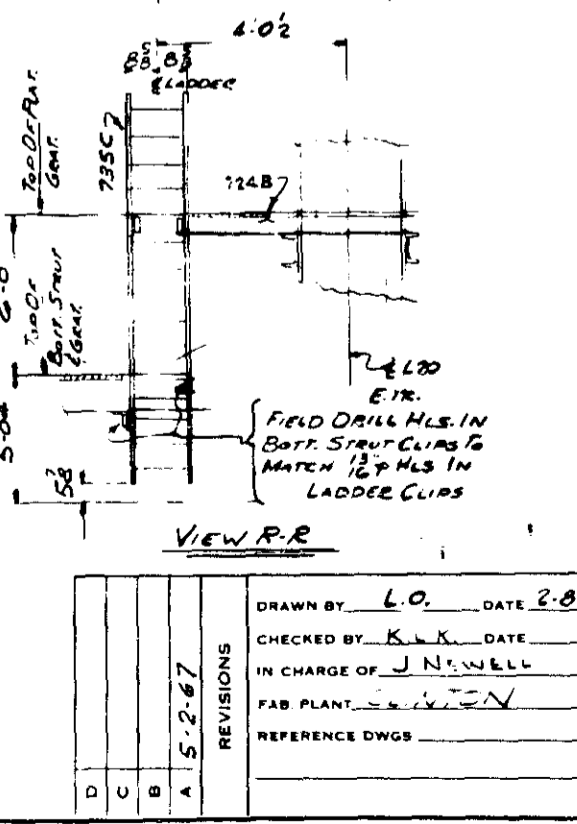
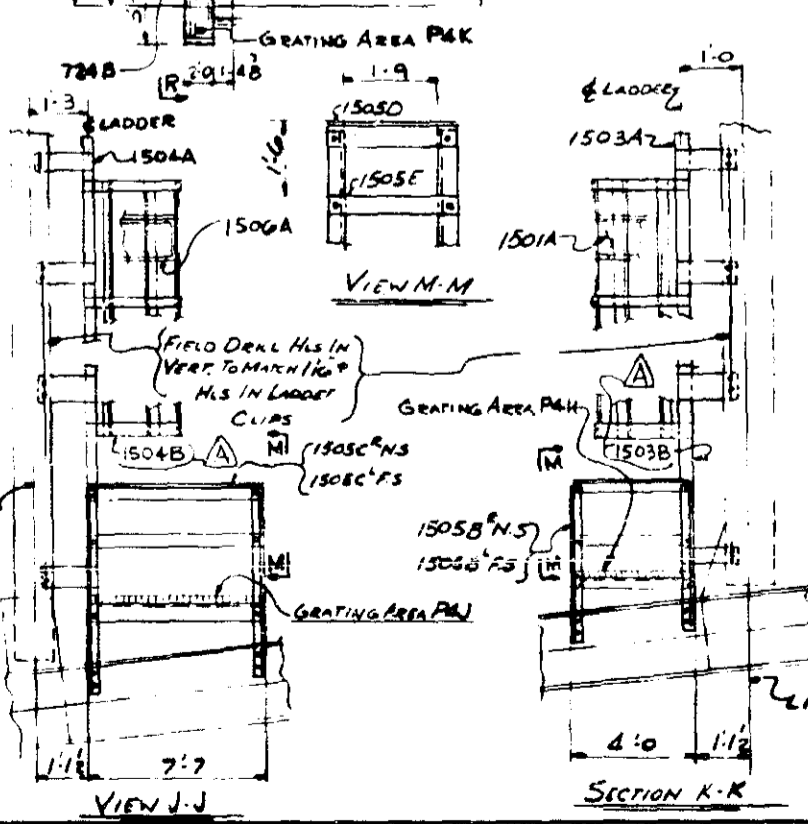
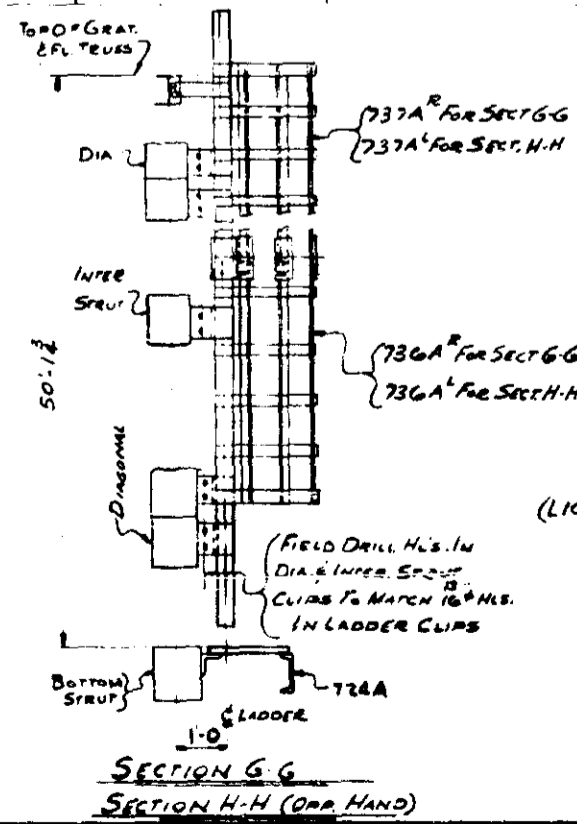
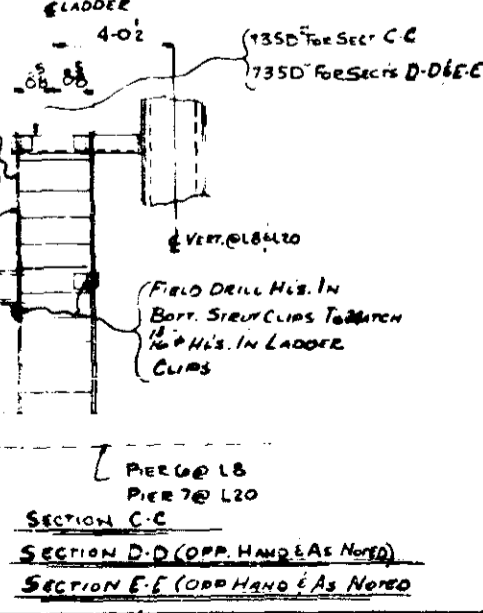
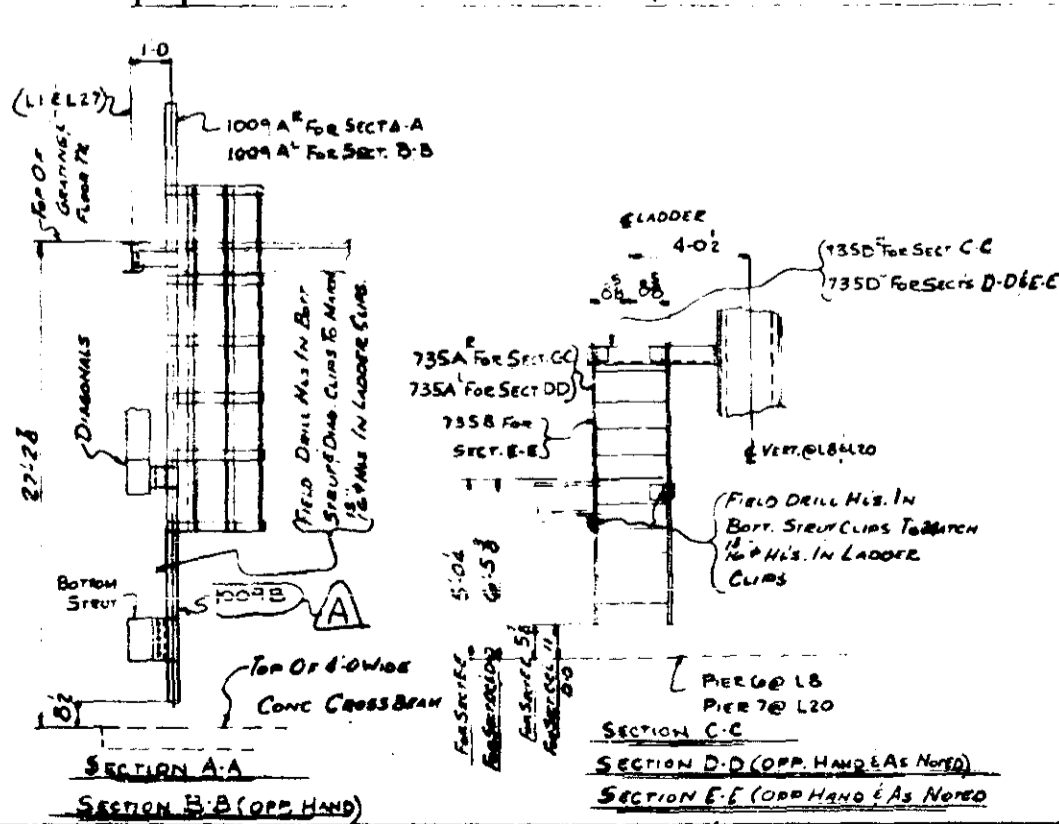
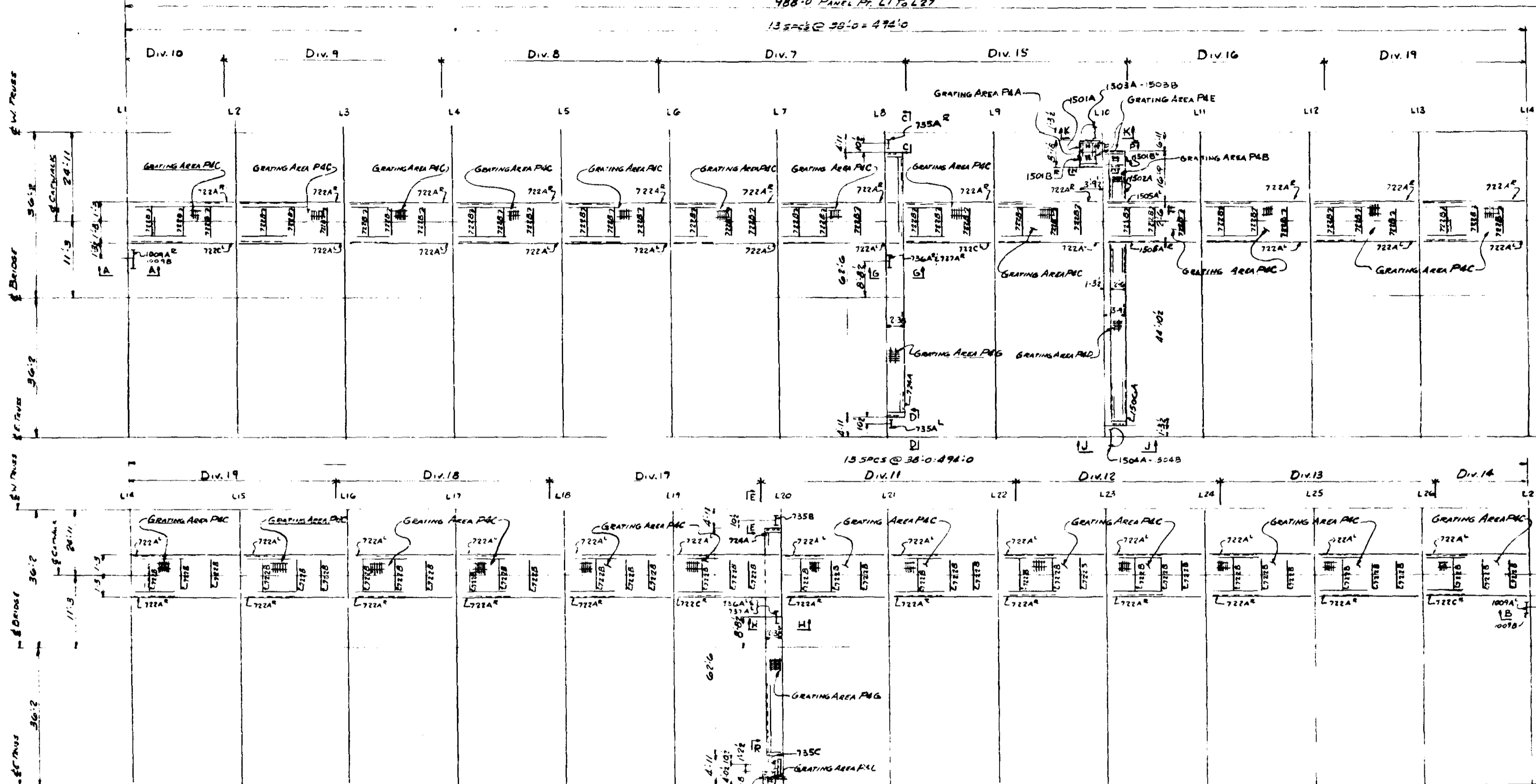
NOTE:
ALL SECTIONS SHOWN LOOKING SOUTH

MINN. PROJ. I-IG-BSW-3 (58) 112
STATE PROJ. 2783-9340B (BSW-594)

ALLIED STRUCTURAL STEEL COMPANY
ENGINEERS FABRICATORS & ERECTORS
1233 15TH STREET, MINNEAPOLIS, MINN. 55402

REVISIONS	DRAWN BY _____ DATE _____	DETAILS OF _____		
	CHECKED BY _____ DATE _____	STRUCTURE _____		
	IN CHARGE OF _____	LOCATION _____		
	FAB. PLANT _____	OWNER _____		
REFERENCE DWG. _____				
DATE	CONTRACT	DIV.	FAB. CODE	SHEET
5-2-57	3142	1314		E15

988'0 PANEL FR L1 TO L27
13 SPCS @ 38'-0" = 494'-0"



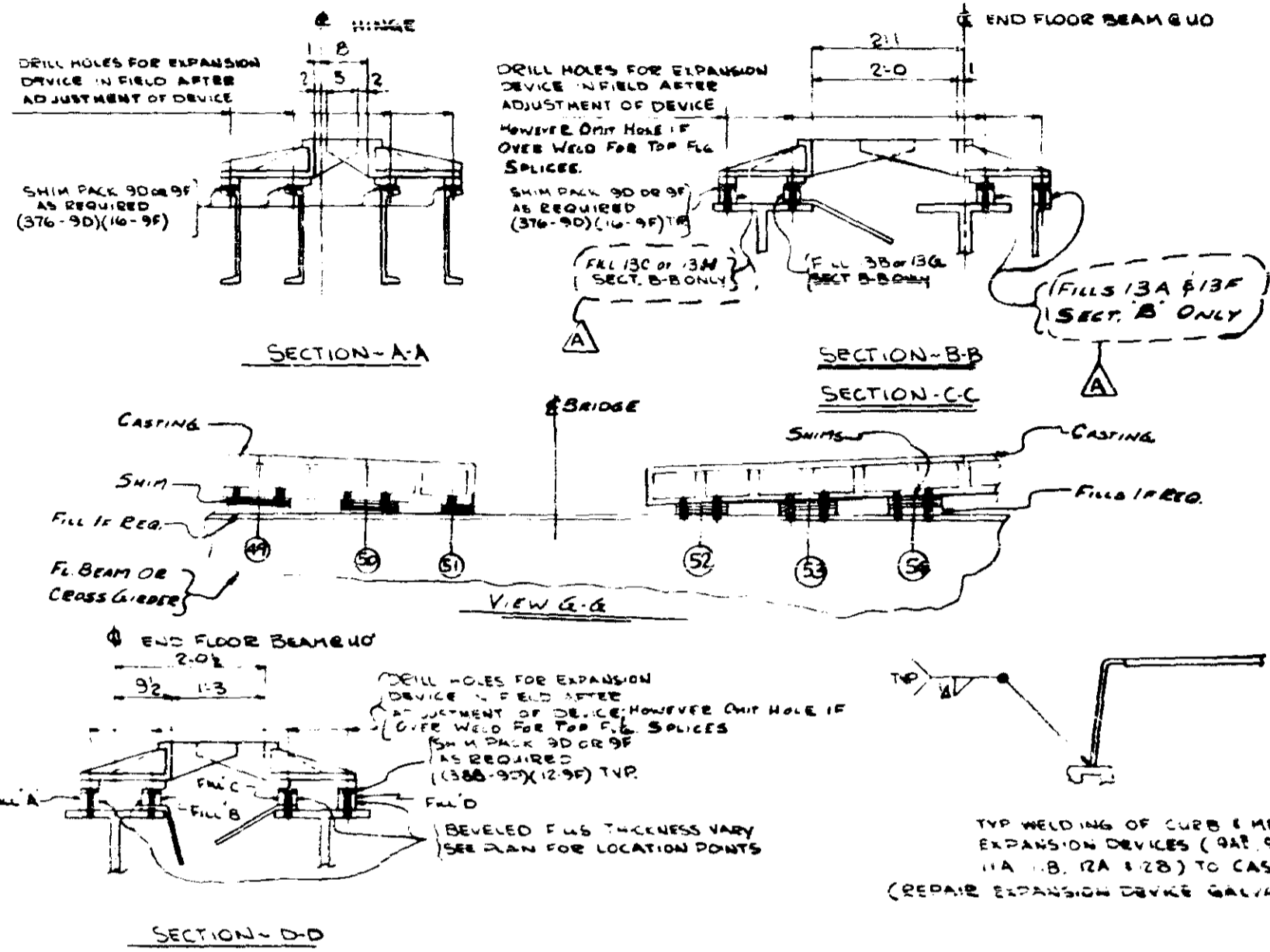
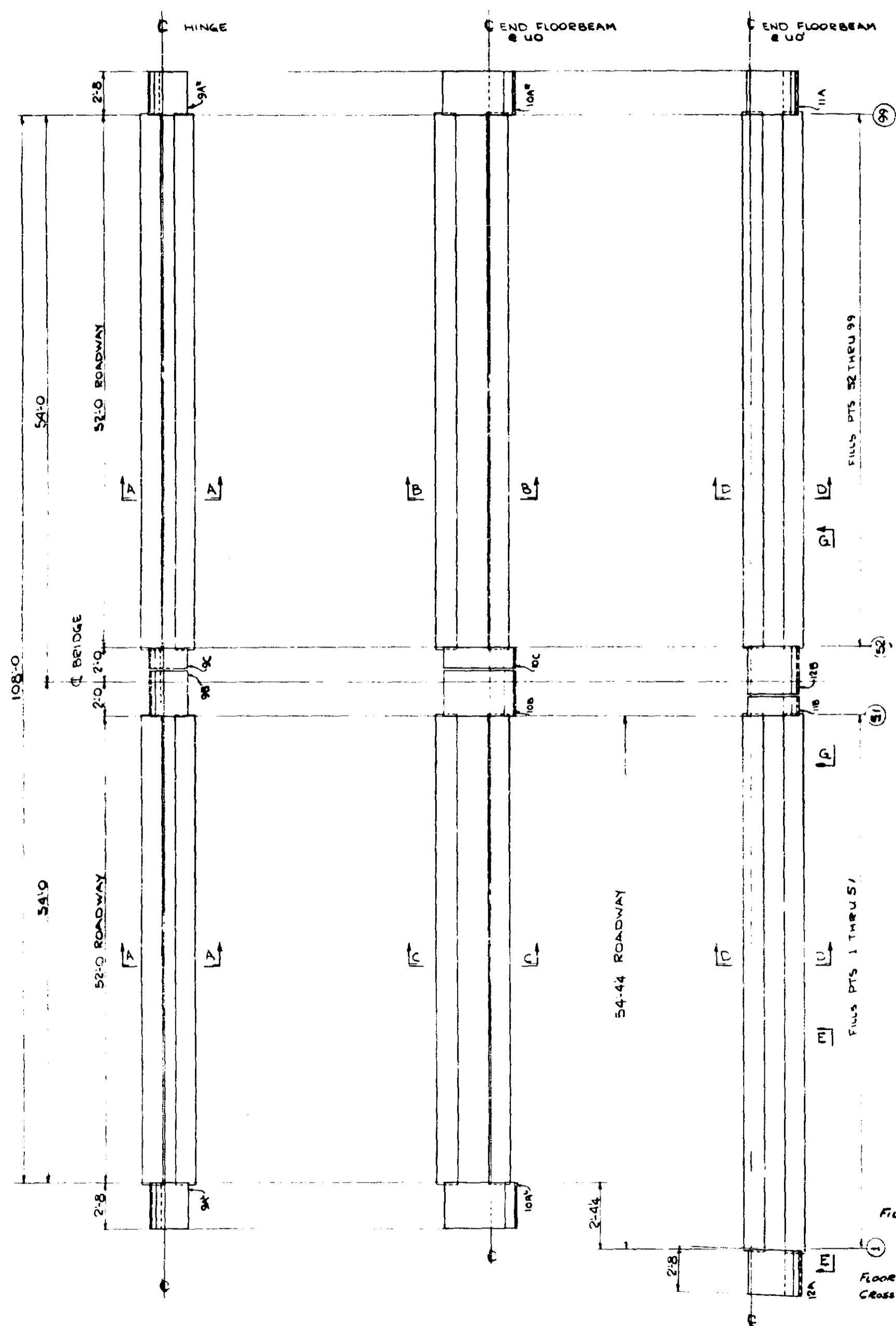
MINN. PROJ. NO. 2-IG3-43(38)112
STATE PROJ. NO. 2-IG3-43(38)112

ALLIED STRUCTURAL STEEL COMPANY
ENGINEERS ARCHITECTS ERECTORS

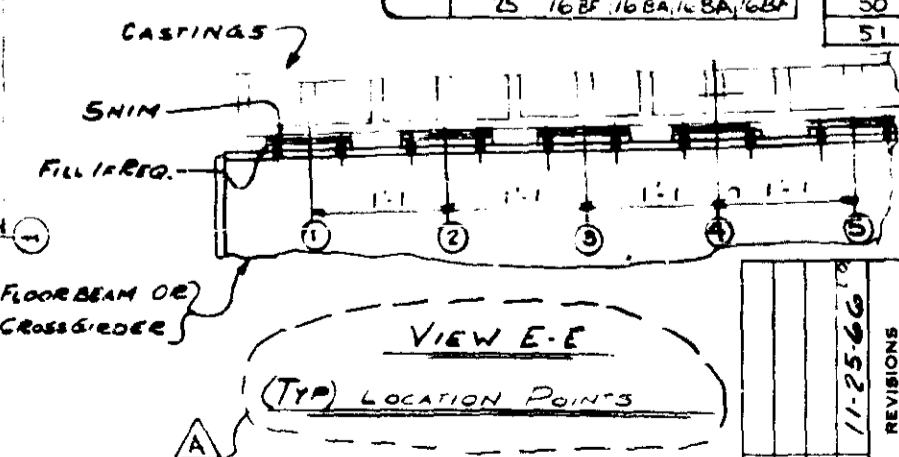
DRAWN BY	L.O.	DATE	2-8-66
CHECKED BY	K.K.	DATE	
IN CHARGE OF	J. NEWELL		
FAB PLANT	MINN.		
REFERENCE DWGS			
REVISIONS			
DU 4	5-2-67		

DETAILS OF	ERECTION Dwg. FOR WALKWAYS, PLTFMS. & LADDERS
STRUCTURE	BRIDGE N8 9340
LOCATION	MINNEAPOLIS, MINNESOTA
OWNER	MINNESOTA STATE HWY. DEPT.
CONTRACT	3142
DIV	
FABCOD	
SHEET	E16

X	0	1	2	3
0	X			
1				
2				
3				
4				
5				
6				
7				
8				
9				



LOCATION	FLG	FLG	FLG	FLG	LOCATION	FLG	FLG	FLG	FLG	LOCATION	FLG	FLG	FLG	FLG
1	-	-	-	-	26	10B	10B	10B	10B	52	-	-	-	-
2	-	-	-	-	27	10B	10B	10B	10B	53	-	-	-	-
3	30A	-	-	30A	28	10B	10B	10B	10B	54	10N	-	-	10N
4	30A	-	-	30A	29	10B	10B	10B	10B	55	10R	10M	10M	10R
5	30C	30F	30F	30C	30	10B	10B	10B	10B	56	10T	10R	10R	10T
6	30C	30A	30A	30C	31	10B	10B	10B	10B	57	10T	10T	10T	10T
7	30T	30V	30V	30T	32	10B	10B	10B	10B	58	10B	10W	10W	10B
8	30B	30R	30R	30B	33	10V	10A	10A	10V	59	10G	10S	10S	10G
9	30B	30E	30E	30B	34	10A	10A	10A	10A	60	10B	10A	10A	10B
10	30V	30A	30A	30V	35	10A	10A	10A	10A	61	10A	10T	10T	10A
11	30T	30P	30P	30T	36	10A	10A	10A	10A	62	10A	10A	10A	10A
12	30T	30P	30P	30T	37	10A	10A	10A	10A	63	10B	10A	10A	10B
13	30T	30P	30P	30T	38	10A	10A	10A	10A	64	10A	10A	10A	10A
14	30A	30B	30B	30A	39	10A	10A	10A	10A	65	10A	10A	10A	10A
15	30B	30E	30E	30B	40	10B	10B	10B	10B	66	10A	10A	10A	10A
16	30C	30F	30F	30C	41	10B	10B	10B	10B	67	10A	10A	10A	10A
17	30E	30C	30C	30E	42	10B	10B	10B	10B	68	10A	10A	10A	10A
18	30E	30C	30C	30E	43	10A	10A	10A	10A	69	10A	10A	10A	10A
19	30E	30C	30C	30E	44	10A	10A	10A	10A	70	10A	10A	10A	10A
20	10A	10A	10A	10A	45	10S	10T	10T	10S	71	10A	10A	10A	10A
21	10A	10A	10A	10A	46	10T	10R	10R	10T	72	10A	10A	10A	10A
22	10A	10A	10A	10A	47	10P	10N	10N	10P	73	10B	10A	10A	10B
23	10B	10A	10A	10B	48	10N	10M	10M	10N	74	10B	10B	10B	10B
24	10B	10A	10A	10B	49	10M	-	-	10M	75	10B	10B	10B	10B
25	10B	10A	10A	10B	50	-	-	-	-	76	10B	10B	10B	10B



MINN PROJ 11G-35W-3(58)112
STATE PROJ 2783-9340B-(35W=394)

ALLIED STRUCTURAL STEEL COMPANY
ENGINEERS FABRICATORS Erectors

DETAILS OF FRAMING PLAN & EXPANSION JOINTS @ HINGE (DIV. 1)
& FLOORBEAM UC (DIV. 1) FLOORBEAM UC (DIV. 4)

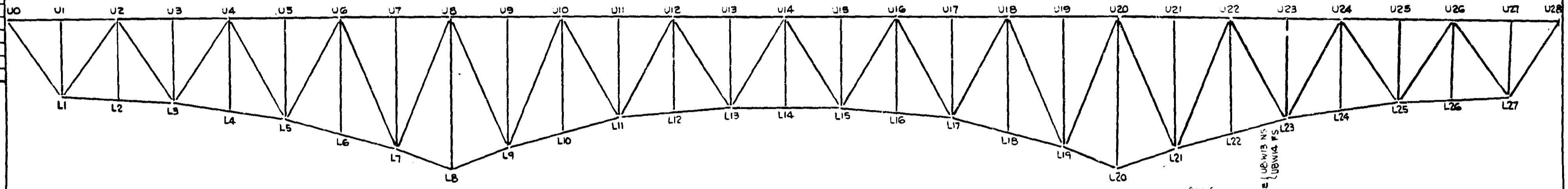
STRUCTURE BRIDGE NO 9340
LOCATION MINNEAPOLIS MINNESOTA
OWNER MINNESOTA STATE HIGHWAY DEPT

CONTRACT 3142 DIV FABCOD SHEET E17

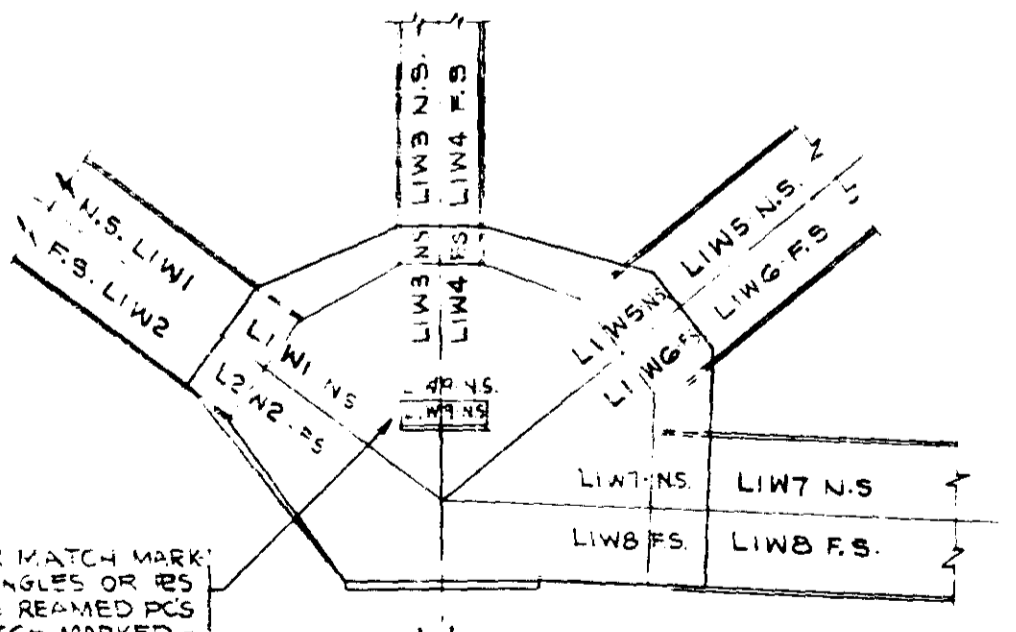
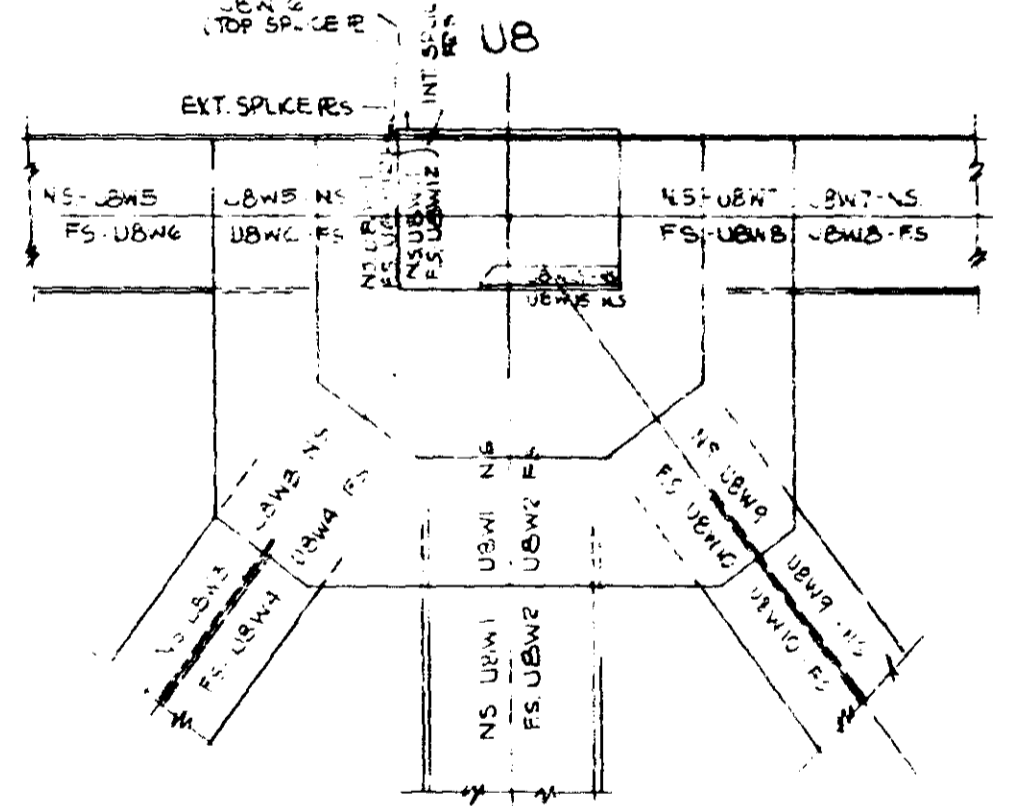
REVISIONS

1	11-25-66
2	
3	
4	
5	
6	
7	
8	
9	
10	
11	
12	
13	
14	
15	
16	
17	
18	
19	
20	
21	
22	
23	
24	
25	

X	0	1	2	3
0	X			
1				
2				
3				
4				
5				
6				
7				
8				
9				

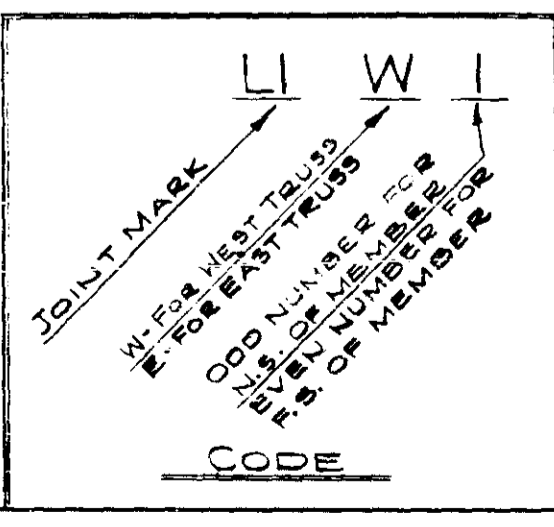
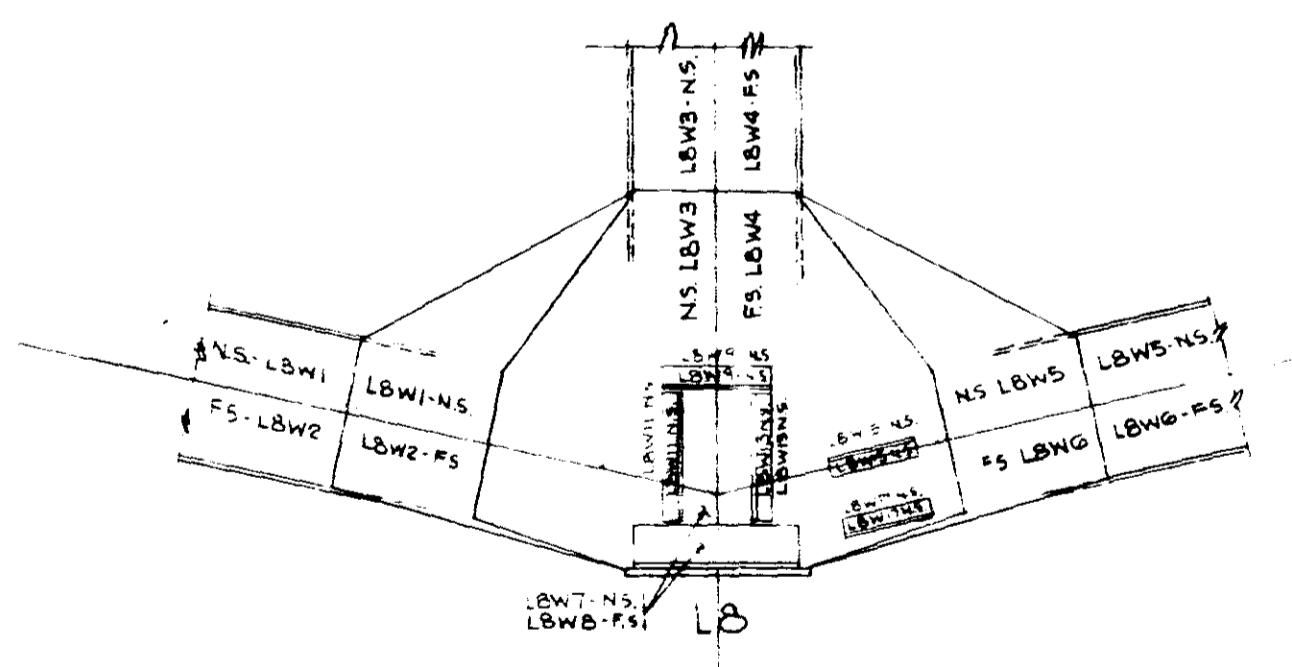


ELEVATION EAST TRUSS } LOOKING WEST
 ELEVATION WEST TRUSS }
 (FOR PC. MKS - SEE ERECTION DRWGS)



TYPICAL FOR MATCH MARKING
 LOOSE ANGLES OR FS
 - ALL LOOSE REAMED PCS
 TO BE MATCH-MARKED.

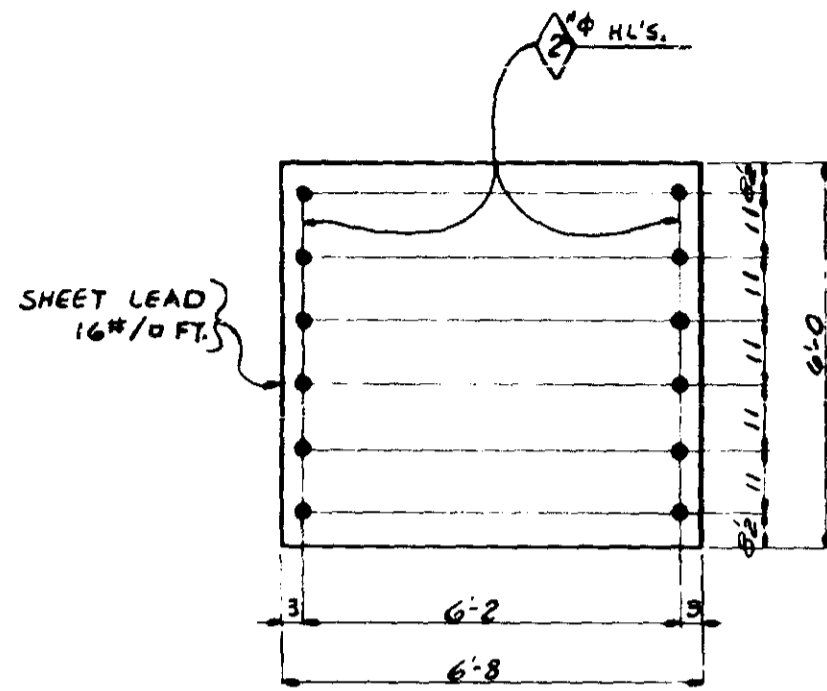
TYPICAL MATCH MARKING DIAGRAM
 FOR TRUSS MEMBERS



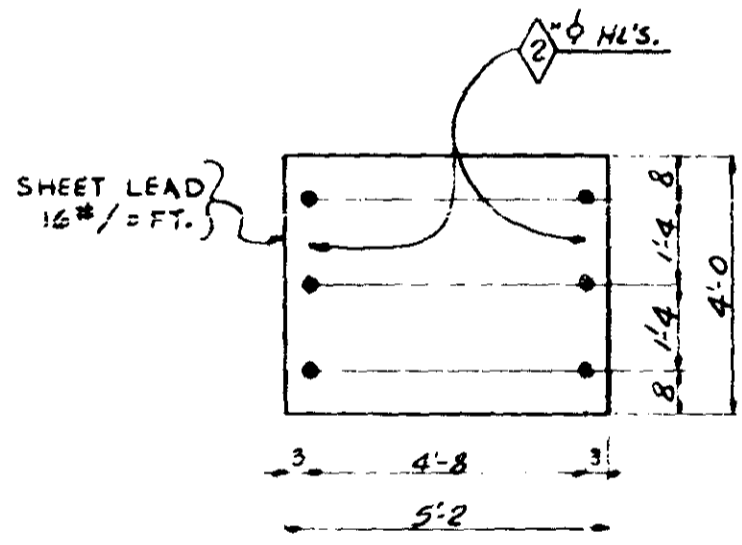
NOTE:
 PIECES TO BE MARKED WITH
 (1) NUMBERING DIES & AS PER
 NOTE ON GNI
 NUMBERS TO BE ENCIRCLE WITH CONTRASTING PAINT OVER SHOP COAT PAINT

MINN. PROJ. NO I-IG 35W-3(58)112
 STATE PROJ. NO 2785-93408 (TH35W-394)

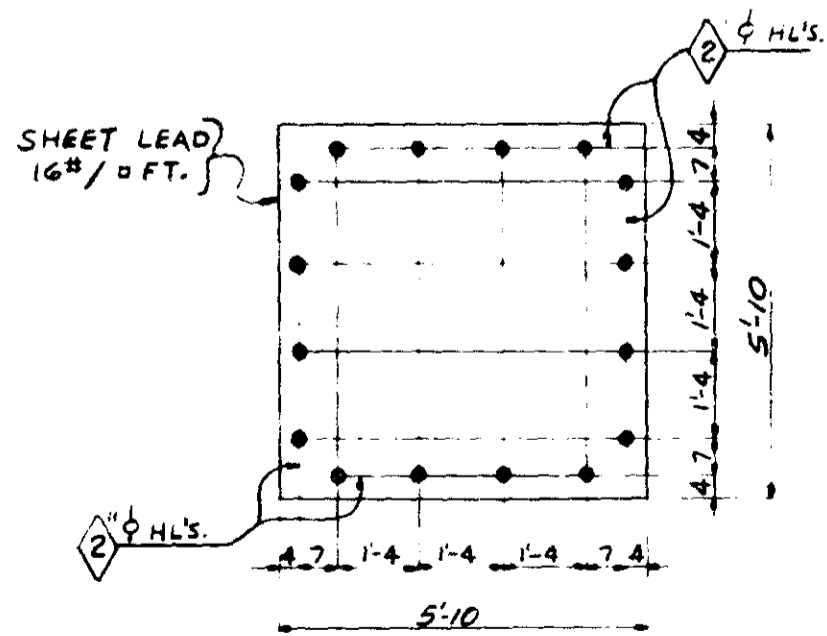
ALLIED ENGINEERS FABRICATORS STRUCTURAL STEEL COMPANY 1212 13TH STREET S.W. MINNEAPOLIS, MINN. 55402		DETAILS OF MATCH MARKING SYSTEM - TRUSS MEMBERS	
DRAWN BY: <u>SP</u> DATE: <u>5/7/66</u>		STRUCTURE: _____	
CHECKED BY: _____ DATE: _____		LOCATION: <u>MINNEAPOLIS, MINNESOTA</u>	
IN CHARGE OF: _____		OWNER: <u>MINNESOTA STATE HWY DEPT</u>	
FAB PLANT: <u>Hammond</u>		CONTRACT: <u>3142</u> DIV. _____ FABCOOD _____ SHEET: <u>E18</u>	
REFERENCE DWGS: _____			
REVISIONS:			
1			
2			
3			
4			
5			
6			
7			
8			
9			



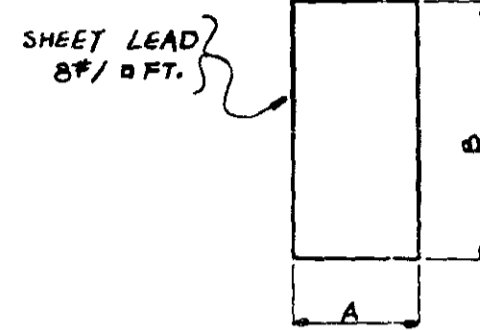
2 LEAD SHEETS - PIA
PIER #6



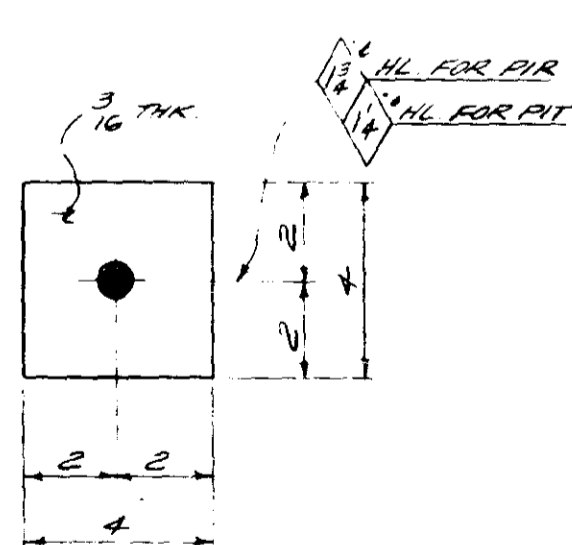
4 LEAD SHEETS - PIB
PIER #5 & #8



2 LEAD SHEETS - PIC
PIER #7



NO. REQD	DIM. A	DIM. B	SHIP MK	LOCATION
14	8	1'-6	PI D	SO. ABUT.
14	10	1'-6	PI E	PIER #1
14	9	1'-4	PI G	PIER #2
10	12	1'-11	PI H	PIER #3
4	11	1'-11	PI K	PIER #3
10	9	1'-11	PI M	PIER #4
4	10	1'-11	PI N	PIER #4
2	8	1'-11	PI P	PIER #9
11	12	2'-2 1/2	PI V	PIER #9
4	11	2'-2 1/2	PI W	PIER #9
18	9	1'-11	PI AA	PIER #10
18	8	1'-11	PI AB	PIER #11
39	8	1'-10	PI AC	PIER #11 NORTH ABUT.



246 - WASHERS - PIR
78 - WASHERS - PIT

NOTE: THE PREFORMED FLEXIBLE MATL. SHALL BE SPONGE RUBBER OR AN APPROVED EQUAL AS PER SPECIAL PROVISIONS.

LEAD SHEETS SHALL CONFORM TO ASTM B29-55. SEE M.H.D. SPEC'S. 3335 WORKMANSHIP & MATERIAL PER M.H.D. SPEC'S. DATED JAN. 1, 1964 & SPECIAL PROVISIONS Shop Inspection by M.H.D.

All material this sheet
PURCHASE ITEMS

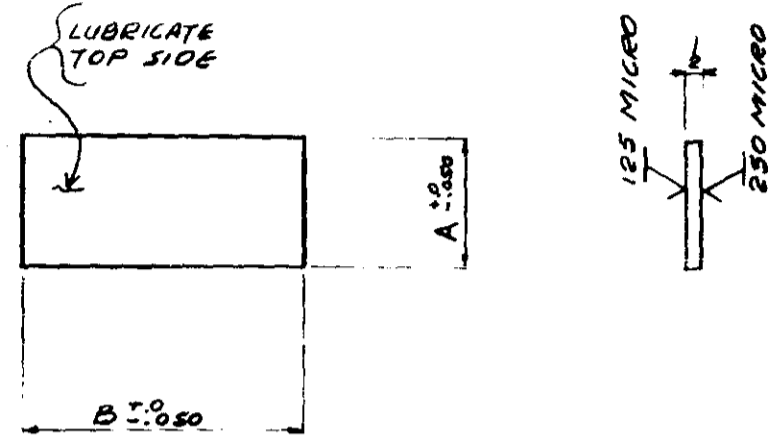
PIER NO.	SHIP MK	NO. REQD	SHAPE	LENGTH	PC. NO.	REMARKS	ITEM NO.	TOTAL WEIGHT	NO. NO.
2	PIA	2	LEAD SHEETS						
2	PIB	4	LEAD SHEETS	72 x 6	6 8			84	NC
2	PIB	4	LEAD SHEETS	48 x 4	5 2			83	
2	PIG	2	LEAD SHEETS	70 x 6	5 10			70	
14	PI D	14	LEAD SHEETS	8 x 1/2	1 6			70.78	2-78
14	PI E	14	LEAD SHEETS	10 x 1/2	1 6			70.52	2-78
14	PI G	14	LEAD SHEETS	9 x 1/2	1 11			70.78	2-78
10	PI H	10	LEAD SHEETS	12 x 1/2	1 11			67	
4	PI K	4	LEAD SHEETS	11 x 1/2	1 11			80	
10	PI M	10	LEAD SHEETS	9 x 1/2	1 11			76	
4	PI N	4	LEAD SHEETS	10 x 1/2	1 11			79	
2	PI P	2	LEAD SHEETS	8 x 1/2	1 11			68	
11	PI V	11	LEAD SHEETS	12 x 1/2	2 2 1/2			69	
4	PI W	4	LEAD SHEETS	11 x 1/2	2 2 1/2			81	
18	PI AA	18	LEAD SHEETS	9 x 1/2	1 11			74.78	2-78
18	PI AB	18	LEAD SHEETS	8 x 1/2	1 11			74.78	2-78
39	PI AC	39	LEAD SHEETS	8 x 1/2	1 10			82	
20		20	PIR EYE WASHERS	20 x 1/2	0 4	Sponge Rubber		66	
20		20		20 x 1/2	0 4	do		67	
20		20		20 x 1/2	0 4	do		68	
20		20		20 x 1/2	0 4	do		69	
20		20		20 x 1/2	0 4	do		70	
20		20		20 x 1/2	0 4	do		71	
20		20		20 x 1/2	0 4	do		72	
20		20		20 x 1/2	0 4	do		73	
20		20		20 x 1/2	0 4	do		74	
20		20		20 x 1/2	0 4	do		75	
20		20		20 x 1/2	0 4	do		76	
20		20		20 x 1/2	0 4	do		77	
20		20		20 x 1/2	0 4	do		78	
20		20		20 x 1/2	0 4	do		79	
20		20		20 x 1/2	0 4	do		80	
20		20		20 x 1/2	0 4	do		81	
78		78	PIT 78 WASHERS	78 x 1/2	0 4	Sponge Rubber		82	

ALLIED STRUCTURAL STEEL COMPANY
1215 15TH STREET MINNEAPOLIS, MINNESOTA 55402

DETAILS OF **LEAD SHEETS**
STRUCTURE: BRIDGE No. 9980
LOCATION: MINNEAPOLIS, MINNESOTA
OWNER: MINNESOTA STATE HWY. DEPT.
CUSTOMER: MINNESOTA STATE HWY. DEPT.

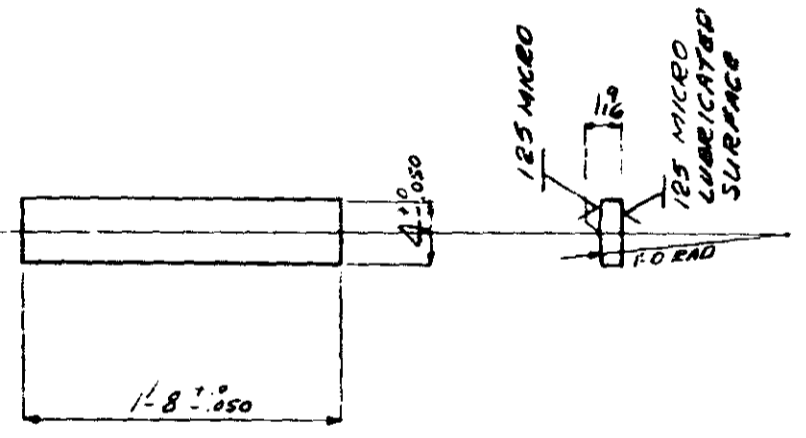
MINN. PROD. NO. I-1635W-3(58)112
STATE PROD. NO. 2783-08 (7435W-394)
OPEN HOLES: 2" & UN. RIVETS & BOLTS: NONE. PAINT: NONE.
DRAWN BY: J.B. DATE: 11/22/65 CHECKED BY: CRW DATE: 12/17/65

REF: E1-E2-E3 REVISIONS HAMMOND FAB. CONTRACT 3142 FABCOD 924 SHEET P1



NO. REQD.	DIM A	DIM B	SHIP MK	LOCATION
34	5	1-9	P2A	PIER #2 & #10
14	4	1-9	P2B	PIER #11
4	4	1-3	P2C	SO. ABUT
10	5	1-4	P2D	SO. ABUT
4	7	1-9	P2E	PIER #3
4	6	1-9	P2G	PIER #4
4	5	1-9	P2H	PIER #2 & #10
4	4	1-9	P2K	PIER #11
4	7	2-0	P2M	PIER #9
4	6	1-4	P2N	PIER #1
4	5	1-4	P2P	SO. ABUT

P2C TO BE SHIPPED TO ST. PAUL FOUNDRY & MFG. CO. FOR ASSEMBLY & MATCH MARKING



39+ BRONZE BEARING PLATES - P2V

P2C - SHIP TO ST. PAUL FOUNDRY & MFG.

All material this sheet PURCHASE ITEMS

Workmanship and material must be in accordance with MHD Specs dated Jan 1, 1964 & special provisions.

BRONZE BEARING PLATES SHALL BE BOXED FOR SHIPMENT PER M.H.D. 2471.3K

BRONZE TO BE ROLLED ALUMINUM BRONZE PLATE A.S.T.M. B169, ALLOY 'D' SOFT TEMPER. MILL FINISH OR CAST ALUMINUM BRONZE A.S.T.M. B148, ALLOY 9C OR 9D. plates to be flat after fabrication. Lubrication, assembly and matchmarking per MHD 3329. Shop Inspection by MHD.

DIVISION	SHIP MK	NO. REQD.	SHAPE	LENGTH	PC. MK	REMARKS	ITEM WT.	TOTAL WEIGHT
10	10	14	P2A 34	BRONZE BEARING PLATES				
		5	34	BRONZE R 5x2 1 9		F.R.S.	76	NC
		8	P2B 14	BRONZE BEARING PLATES				
		9	14	BRONZE R 4x2 1 9		F.R.S.	75	
14		12	P2C 14	BRONZE BEARING PLATES				
		13	14	BRONZE R 4x2 1 13		F.R.S.	71	
10		16	P2D 10	BRONZE BEARING PLATES				
		17	10	BRONZE R 5x2 1 4		F.R.S.	72	
4		20	P2E 4	BRONZE BEARING PLATES				
		21	4	BRONZE R 7x2 1 9		F.R.S.	80	
4		24	P2G 4	BRONZE BEARING PLATES				
		25	4	BRONZE R 6x2 1 9		F.R.S.	79	
4	4	28	P2H 8	BRONZE BEARING PLATES				
		29	8	BRONZE R 5x2 1 9		F.R.S.	78	
4		32	P2K 4	BRONZE BEARING PLATES				
		33	4	BRONZE R 4x2 1 9		F.R.S.	77	
4		36	P2M 4	BRONZE BEARING PLATES				
		37	4	BRONZE R 7x2 2 0 4		F.R.S.	81	
4		40	P2N 4	BRONZE BEARING PLATE				
		41	4	BRONZE R 6x2 1 4		F.R.S.	74	
4		44	P2P 4	BRONZE BEARING PLATES				
		45	4	BRONZE R 5x2 1 4		F.R.S.	73	
39		48	P2V 39	BRONZE BEARING PLATES				
		49	39	BRONZE R 6x2 1 8		F.R.S.	82	

MINN. PROJ. NO I-1635W-3 (58) 112
STATE PROJ. NO 2783-08 (TK35W-394)

OPEN HOLES NONE RIVETS & BOLTS NONE PAINT NONE
DRAWN BY O.B. DATE 12-13-65 CHECKED BY CRN DATE 12-17-65

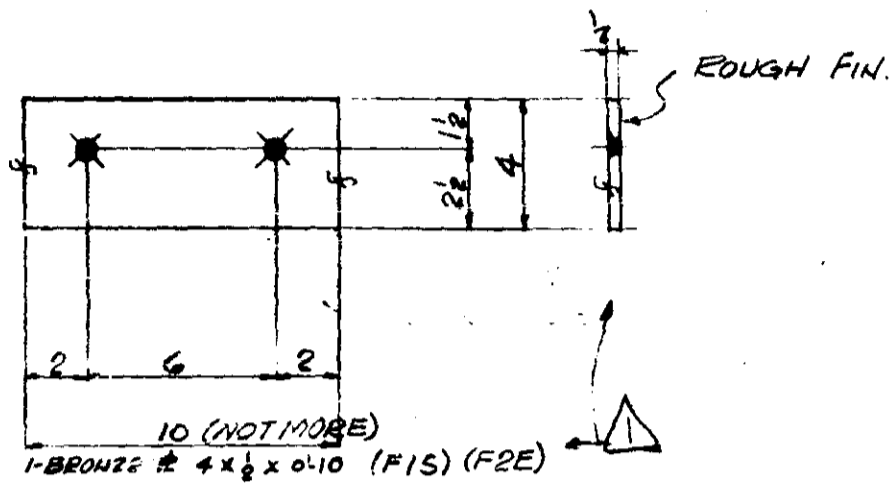
REF: E1 & E3

REVISIONS	5/13/66			
-----------	---------	--	--	--

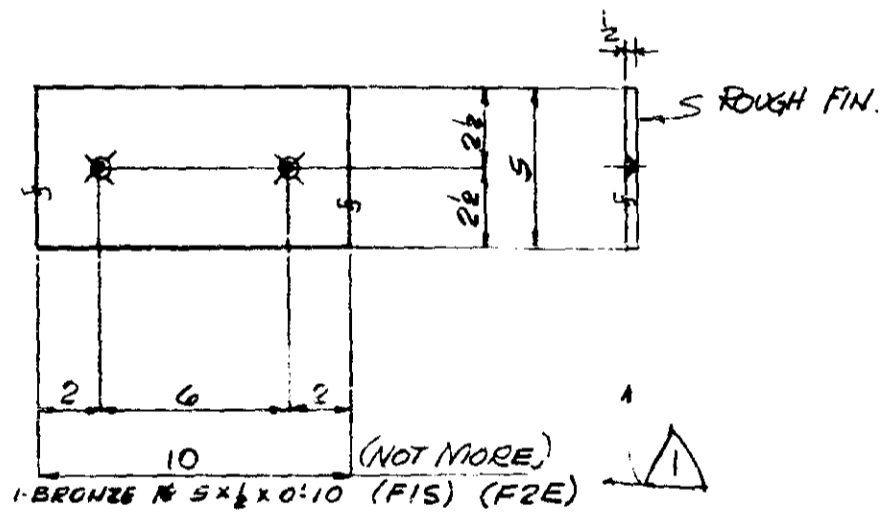
ALLIED STRUCTURAL STEEL COMPANY
E.T.O. NEEDS FABRICATORS ERECTORS
1425 10TH STREET, HARBOR, MINN. 55404

DETAILS OF BRONZE BEARING PLATES
STRUCTURE BRIDGE NO 9340
LOCATION MINNEAPOLIS, MINNESOTA
OWNER MINNESOTA HWY. DEPT.
CUSTOMER MINNESOTA HWY. DEPT.

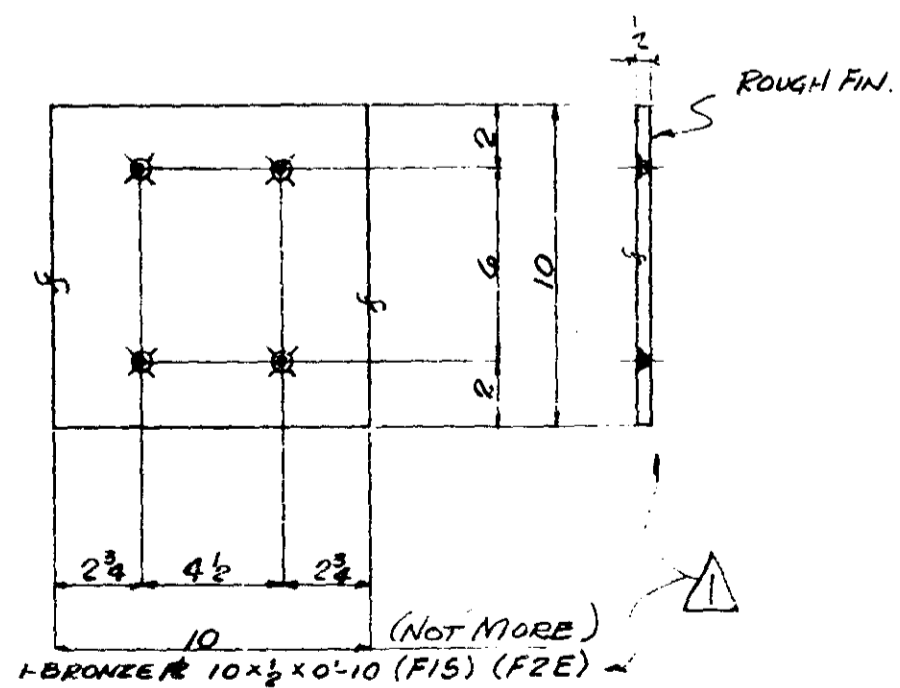
CONTRACT 3142 FABCOD 924 SHEET P2



40 - BRONZE PLATES - P3A



40 - BRONZE PLATES - P3B



36 - BRONZE PLATES - P3C

DIVISIONS														#	SHIP	NO.	SHAPE	LENGTH	PC.	REMARKS	ITEM	WEIGHT
7	8	9	10	11	12	13	14	15	16	17	18	19	20									
														1								
														2								
														3								
														4								
														5	P3A	40	BRONZE PLATES					
														6		40	BRONZE PLATES	0-10	F15, F2E			
														7					59			
														8					312			
														9								
														10								
														11								
														12								
														13								
														14	P3B	40	BRONZE PLATES					
														15		40	BRONZE PLATES	0-10	F15, F2E			
														16					59			
														17					390			
														18								
														19								
														20								
														21								
														22								
														23	P3C	36	BRONZE PLATES					
														24		36	BRONZE PLATES	0-10	F15, F2E			
														25					59			
														26					762			
														27								
														28								
														29								
														30								
														31								
														32								
														33								
														34								
														35								
														36								
														37								
														38								
														39								
														40								
														41								
														42								
														43								
														44								
														45								
														46								
														47								
														48								
														49								
														50								
														51								
														52								
														53								
														54								
														55								
														56								
														57								
														58								
														59								
														60								
														61								
														62								
														63								
														64								
														65								
														66								
														67								
														68								
														69								
														70								
														71								

SHOP NOTES:
 FOR GENERAL NOTES SEE SHEET G N 1
 MATL. SPECS TO CONFORM TO
 ASTM - B148-52 90 OR 9D. (MHD 3329)
 FINISHED SURFACE TO HAVE 125 MICRO IN. FINISH.
 PLATES NOT TO BE LUBRICATED
 DO NOT SHIP FROM THIS SHEET

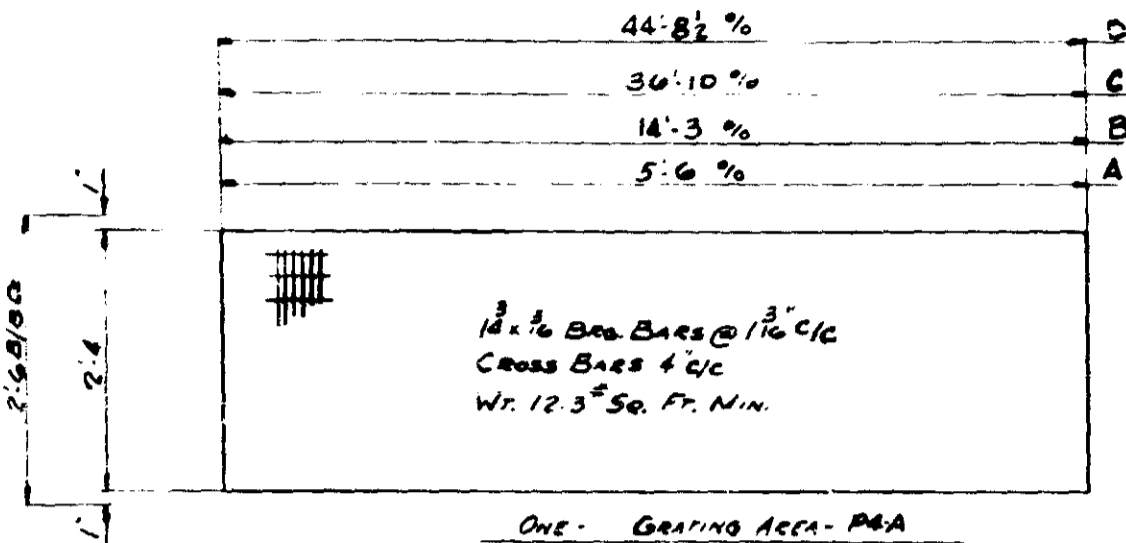
HAMMOND FAB
 MINN. PROJ. NO I-16 35 W-3 (58) 112
 IATE PROJ. NO 2783-9340B (TH 35 W=394)

CLINTON BRIDGE CORP. • RAY'S STRUCTURAL STEEL CORP. • MIDLAND STRUCTURAL STEEL CORP.
 ENGINEERS - FABRICATORS - ERECTORS OF BUILDINGS AND BRIDGES
 20 NORTH WACKER DRIVE CHICAGO 6, ILLINOIS

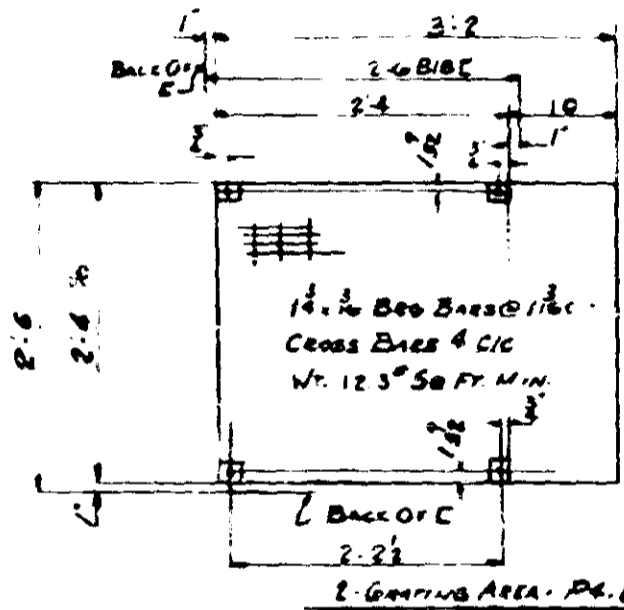
DETAILS OF BRONZE BEARING PLATES
 STRUCTURE BRIDGE NO 9300
 LOCATION MINNEAPOLIS, MINNESOTA
 OWNER MINNESOTA ST. HWY. DEPT.
 CUSTOMER MINNESOTA ST. HWY. DEPT.

CONTRACT 3142 FAB CODE 274 SHEET P3

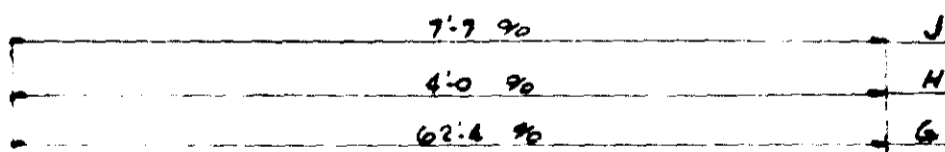
OPEN HOLE	15/8	RIVETS & BOLTS	NONE	PAINT	NONE
DRAWN BY	DB	DATE	12-21-65	CHECKED BY	K.L.K.
REVISIONS	△ 8/17/66	△	△	△	



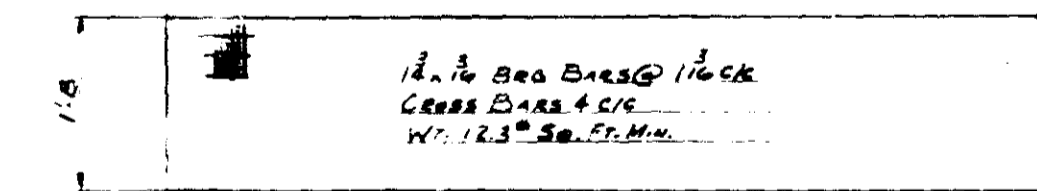
ONE GRATING AREA - PA-A
 ONE - DO DO - PA-B
 ONE - DO DO - PA-C
 ONE - DO DO - PA-D



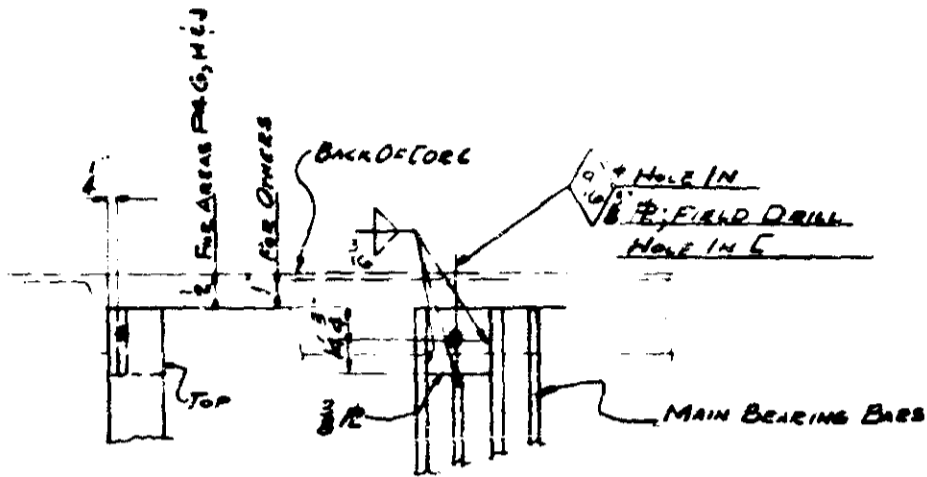
2 - GRATING AREA - PA-E



2 - GRATING AREA - PA-G
 ONE - DO DO - PA-H
 ONE - DO DO - PA-J

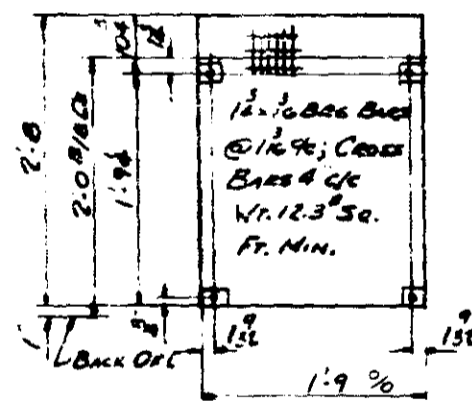


ONE GRATING AREA - PA-K



CORNER DETAIL FOR GRATING

TYP. ALL 4 CORNERS FOR EACH SECTION OF GRATING IN AREAS PA-A, B, C, D, G, H, J, K. SEE GRATING AREAS PLE 4 FOR LOCATION OF 3/8".



ONE GRATING AREA - PA-L

NOTES:

GRATING TO BE HOT DIPPED GALVANIZED AFTER FABRICATION PER M.H.D.3399
 ALL WELDED JOINTS TO BE SEALED

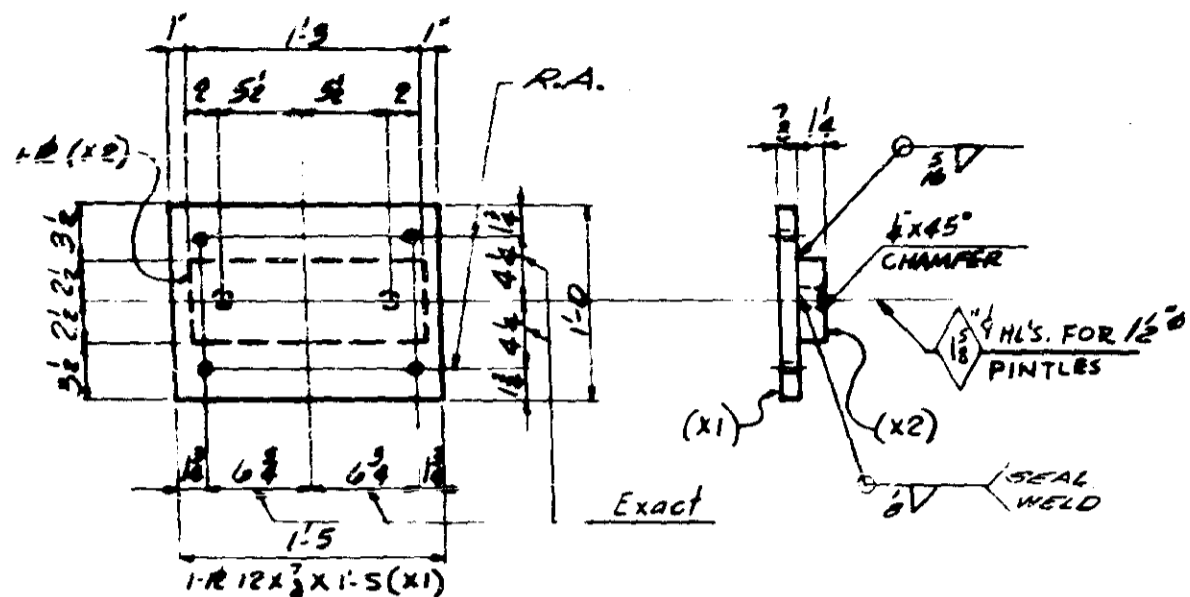
SHOP INSPECTION BY M.H.D. BEFORE & AFTER GALVANIZING.
 ALLOW AMPLE CLEARANCE BETWEEN SECTIONS FOR EXHIBITION OF GRATING.
 FOR GEN. NOTES SEE SH. 641
 ALL MATERIAL TO BE M.H.D. 3306

PAY ITEM 59 = 33296

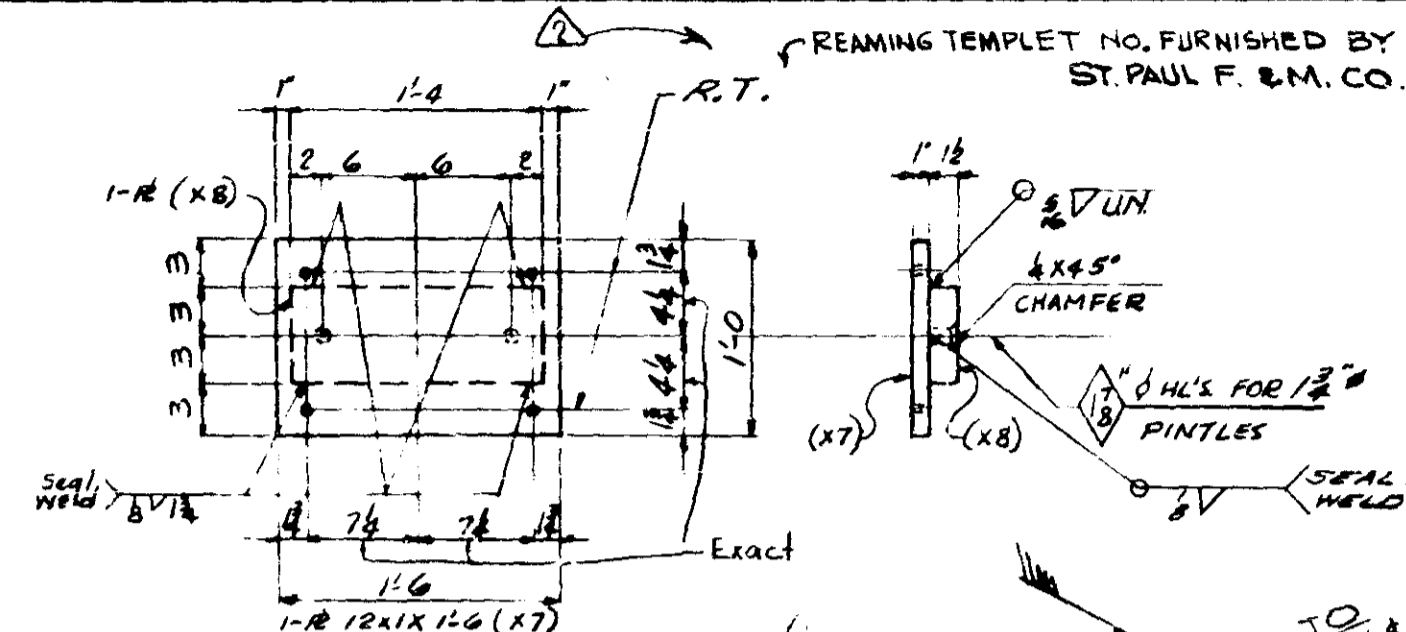
NO.	SHIP NO.	SHAPE	LENGTH	PC NO.	REMARKS	ITEM NO.	WT. LBS.	TOTAL WEIGHT	SQ. FT.
1	PAA	ONE GRATING AREA	(GRAT)				104.32	59	
2	PAB	ONE DO DO					2234.52		
3	PAC	ONE DO DO					33.25		
4	PAD	ONE DO DO					12.83		
5	PAE	ONE DO DO					14.78		
6	PAF	ONE DO DO					207.78		
7	PAH	ONE DO DO					6.67		
8	PAI	ONE DO DO					12.64		
9	PAJ	ONE DO DO					6.88		
10	PAK	ONE DO DO					4.67		
11	PA								
12									
13									
14									
15									
16									
17									
18									
19									
20									
21									
22									
23									
24									
25									
26									
27									
28									
29									
30									
31									
32									
33									
34									
35									
36									
37									
38									
39									
40									
41									
42									
43									
44									
45									
46									
47									
48									
49									
50									
51									
52									
53									
54									
55									
56									
57									
58									
59									
60									
61									
62									
63									
64									
65									
66									
67									
68									
69									
70									
71									

ALLIED STRUCTURAL STEEL COMPANY
 ENGINEERS FABRICATORS Erectors
 1425 14TH STREET HAMMOND ILLINOIS 60401

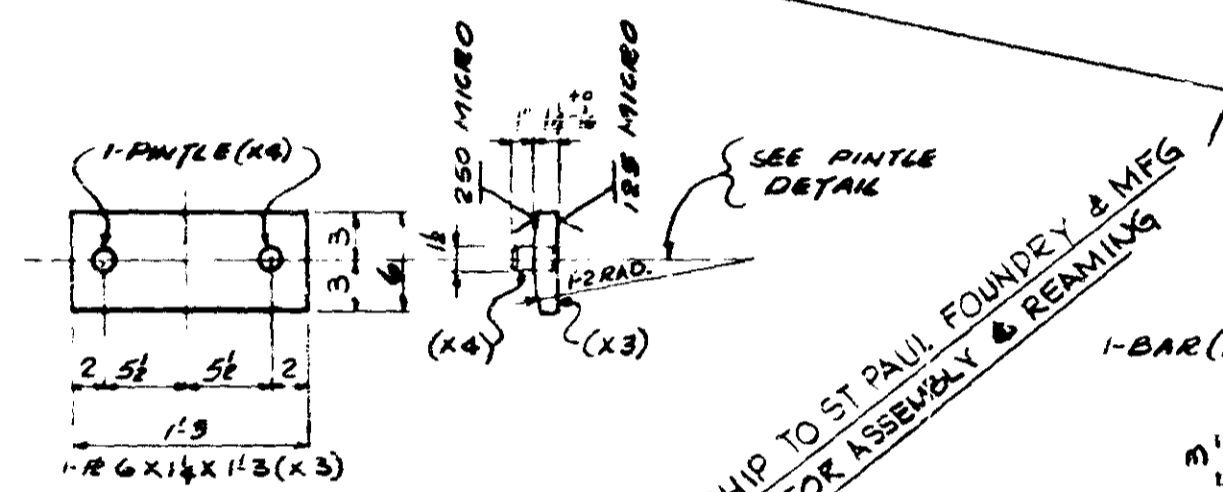
MINN. PROJ. N.E. 1635W-3 (58)112	HAMMOND ILL
STATE PROJ. N.E. 2783-9840B (TH35W394)	
DETAILS OF GRATING AREAS FOR WALKWAYS	BRIDGE NO 9840
LOCATION MINNEAPOLIS, MINNESOTA	
OWNER MINNESOTA STATE HWY. DEPT.	
CUSTOMER MINNESOTA STATE HWY. DEPT.	
OPEN HOLES $\frac{5}{8}$ "	RIVETS & BOLTS NONE PAINT SEE NOTES
DRAWN BY L.O.	DATE 2-7-66 CHECKED BY K.L.K.
DATE 2-18-66	
REVISIONS	CONTRACT 3142
	FABCOD
	SHEET PA



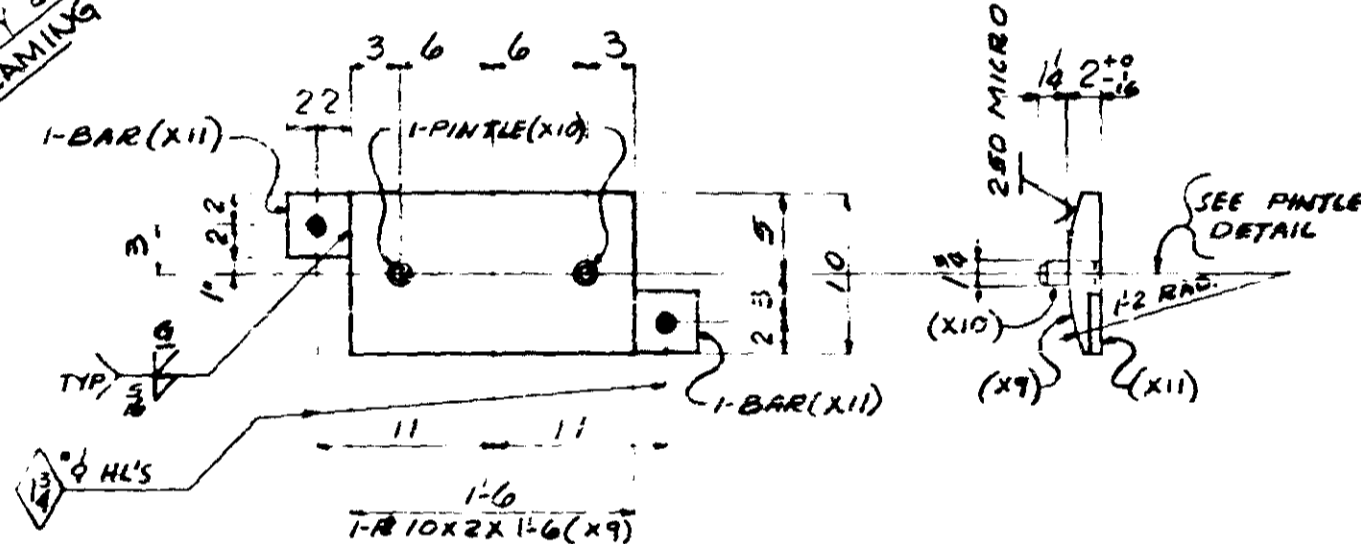
14 BEARING PLATES - 1A



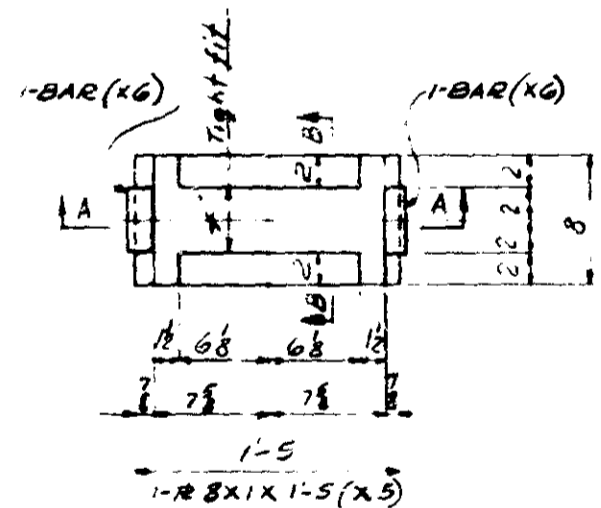
10 BEARING PLATES - 1D



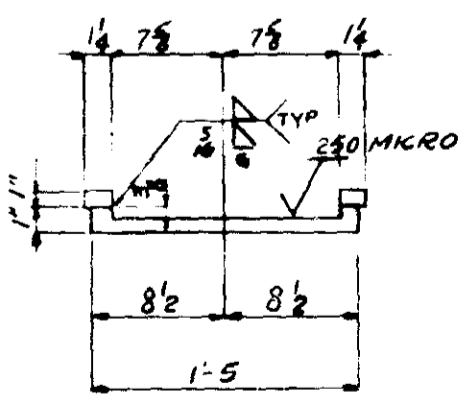
14 BEARING PLATES - 1B



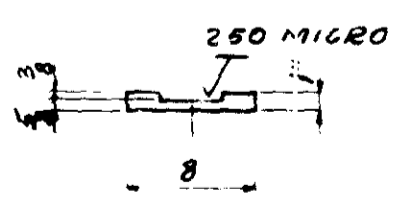
10 BEARING PLATES - 1E



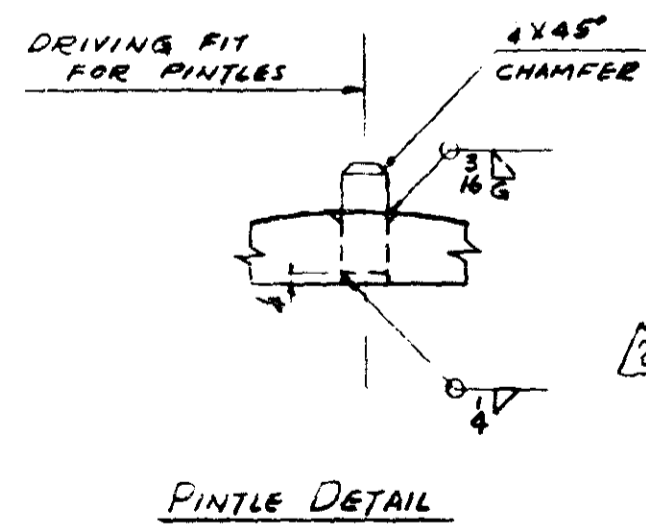
14 BEARING PLATES - 1C
(No Galvanizing)



SECTION A-A



SECTION B-B



PINTLE DETAIL

REAMING TEMPLAT NO. FURNISHED BY ST. PAUL F. & M. CO.

SHIP TO ST. PAUL FOUNDRY & MFG FOR ASSEMBLY & REAMING

GENERAL NOTES

1. WORKMANSHIP & MATERIAL SHALL BE IN ACCORDANCE WITH M.H.D. SPEC'S DATED JAN 1, 1964 & SPECIAL PROVISIONS.
 2. BEARING & WELDED PLATES TO BE FLAT AFTER WELDING & FABRICATION.
 3. FULL ASSEMBLY REAMING REQUIRED AS PER M.H.D. 2471.3E1DE MATCH-MARKED HOLES MARKED RA TO BE REAMED ASSEMBLED.
 4. GALVANIZE AFTER FABRICATION IN ACCORDANCE WITH M.H.D. 3394 (A.S.T.M. A123). EXCEPT PLATES "1C" ONLY.
 5. SHOP INSPECTION BY M.H.D. BEFORE & AFTER GALVANIZING.
 6. PLATES 1A, 1C & 1B TO BE SHIPPED TO ST. PAUL FOUNDRY & MFG. CO. FOR ASSEMBLY & REAMING.
- Lubricated Bronze Plates to be Shop assembled with Bearing Plates and match marked per MHD 3329.
- REAM TEMPLATS FOR BRG #5 1D FURNISHED BY ST. PAUL FOUNDRY & MFG. CO.

DIV.	NO	SHIP	NO	SHAPE	LENGTH	PC	REMARKS	ITEM	TOTAL
1	2	NO	REQD			MR		NO	WEIGHT
12	6	1A	14	BEARING PLATES				71	
	7			12 R 12 X 3	1 5 X 1				3306
	8			12 Bar 5 X 1/2	1 3 X 2				3306
	9			14 3/4 WLD.	3 4				
	10			14 1/2 WLD.	0 10				
14	14	1B	14	BEARING PLATES				71	
	15			14 Bar 6 X 1/2	1 3 X 3 F.2.5.				3306
	16			28 1/2" ROD	0 2 X 4 F.A.O.				3306
	17			14 3/4 WLD.	0 11				
	18			14 1/2 WLD.	0 11				
14	25	1C	14	BEARING PLATES				71	
	24			14 Bar 2 X 1	1 5 X 5				3306
	25			28 BAR 1/2 X 1	0 4 X 6				3306
	26			14 3/4 WLD.	1 4				
10	31	1D	10	BEARING PLATES				66	
	32			10 R 12 X 1	1 6 X 7				3306
	33			10 Bar 6 X 1/2	1 4 X 8				3306
	34			10 3/4 WLD.	3 8				
	35			10 1/2 WLD.	1 0				
10	39	1E	10	BEARING PLATES				66	
	40			10 R 10 X 8	1 6 X 9 F.I.S.				3306
	41			20 1/2" ROD	0 3 X 4 F.A.O.				3306
	42			20 BAR 4 X 1/2	0 4 X 11				3306
	43			10 3/4 WLD.	0 11				
	44			10 1/2 WLD.	0 11				
	45			10 3/4 WLD.	1 4				

ALLIED STRUCTURAL STEEL COMPANY
1100 BROADWAY, MINNEAPOLIS, MINN. 55402

DETAILS OF BEARING PLATES @ PIER #1 & HINGERS
STRUCTURE BRIDGE NO 9340
LOCATION MINNEAPOLIS, MINNESOTA
OWNER MINNESOTA STATE HWY. DEPT.
CUSTOMER MINNESOTA STATE HWY. DEPT.

MINN. PROJ. NO. I-1635W-3 (58) 118
STATE PROJ. NO. 8783-08 (7135W-394)

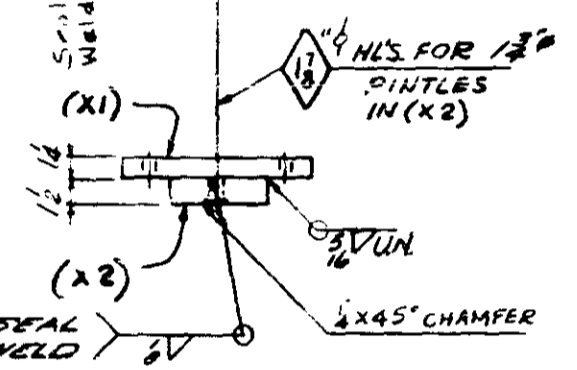
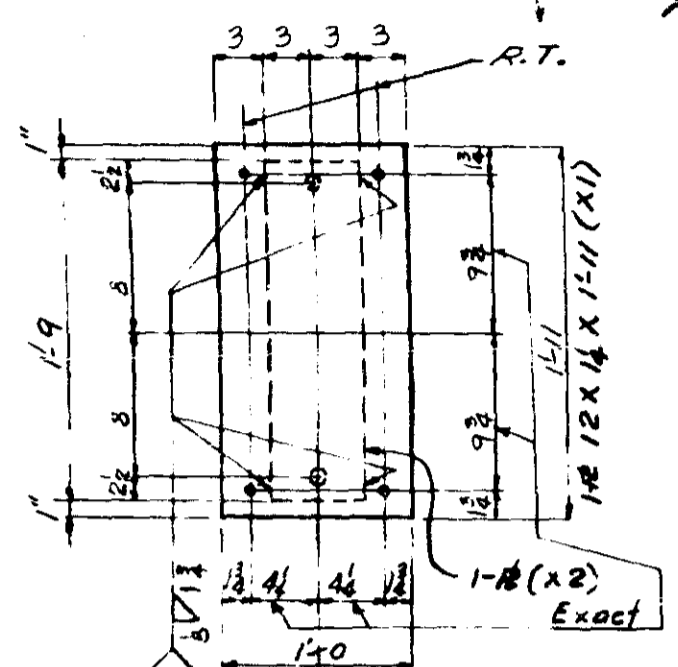
OPEN HOLES 1/2" UN. RIVETS & BOLTS NONE PAINT NONE
DRAWN BY O.B. DATE 12-3-65 CHECKED BY GRW DATE 12-15-65

Raymond Fab
R&F: E1 &

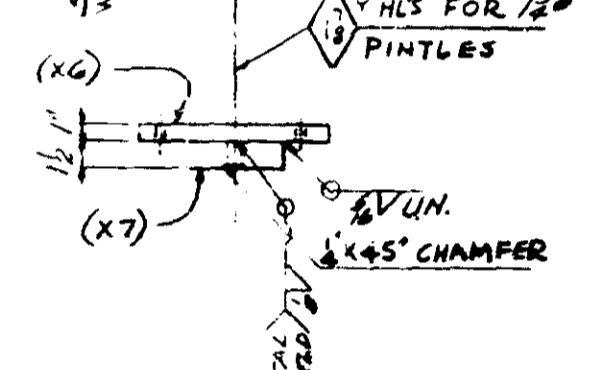
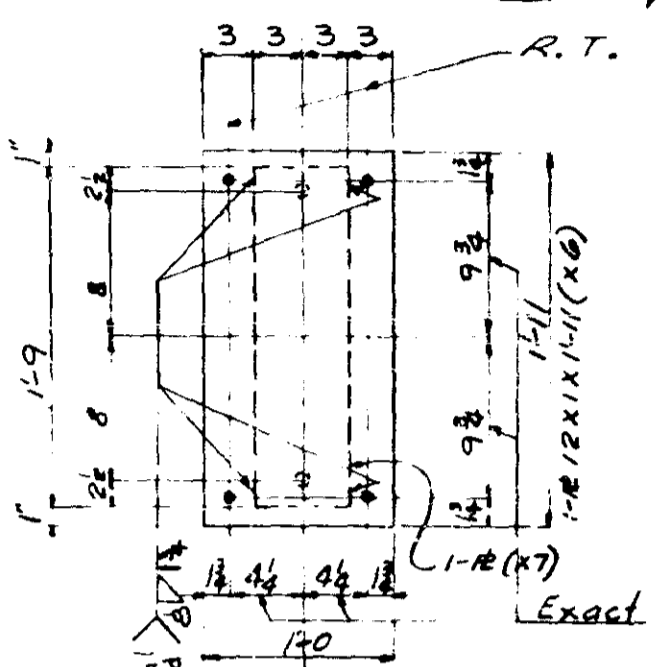
REVISIONS	1	2	3	4
	12-26	5/15/68		

CONTRACT 3142 FABCOD 924 SHEET 1

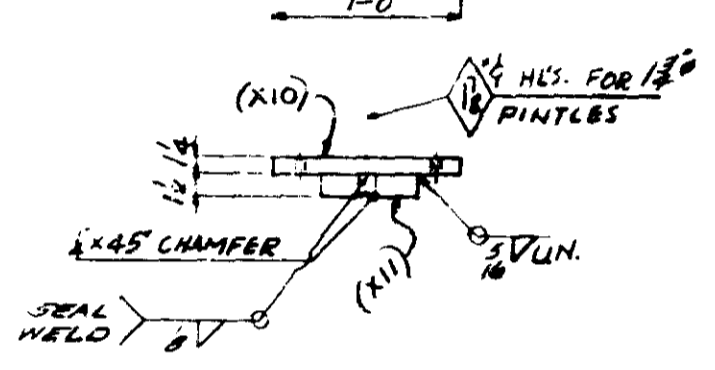
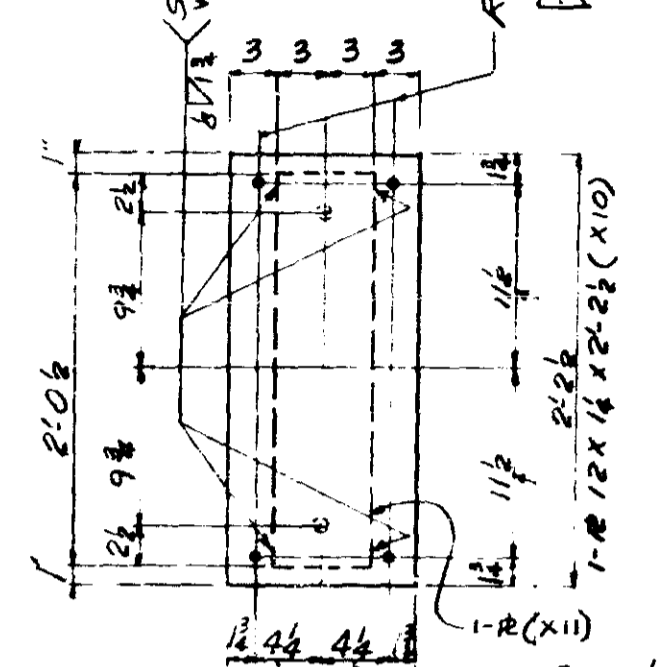
REAMING TEMPLAT NO. TO BE
FURNISHED BY ST. PAUL FOUNDRY & MFG



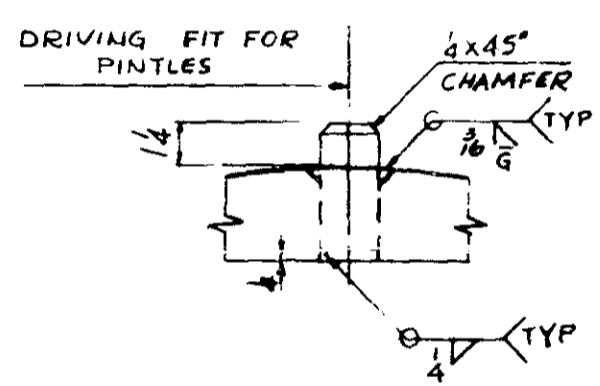
10 BEARING PLATES - 2A



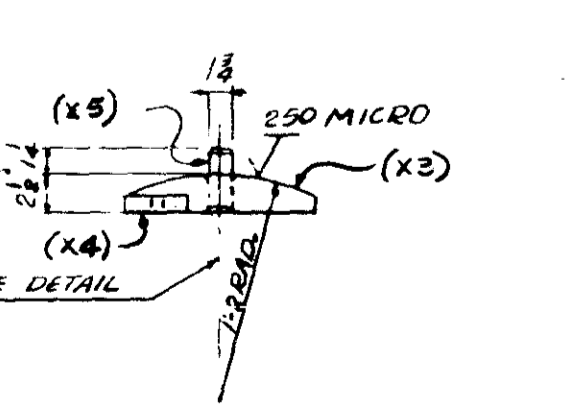
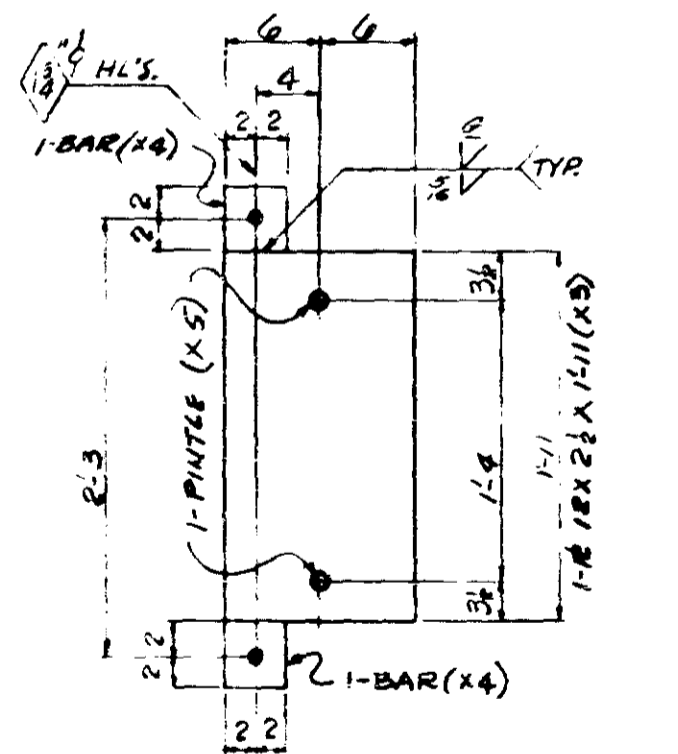
2 BEARING PLATES - 2C



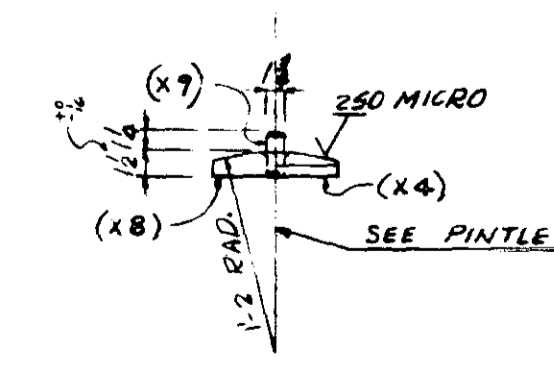
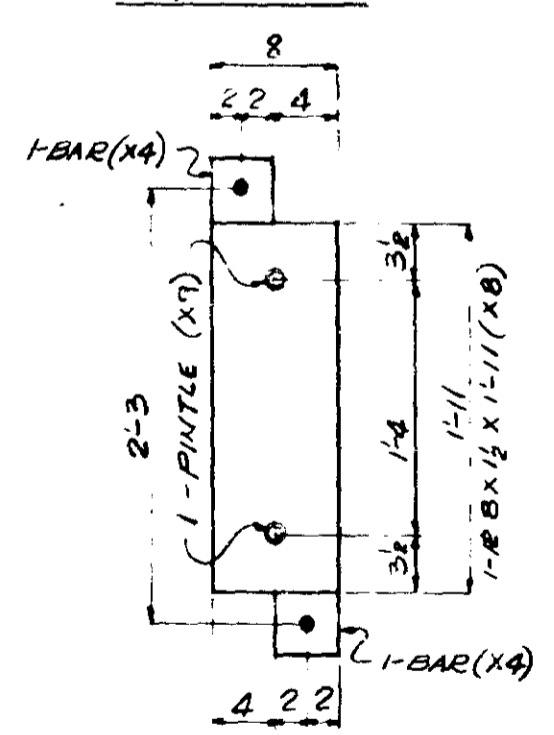
11 BEARING PLATES - 2E



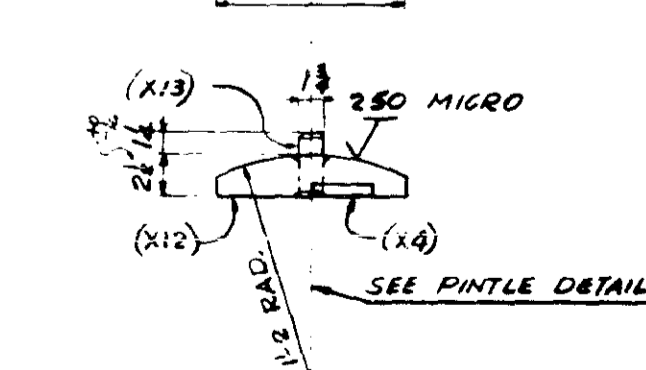
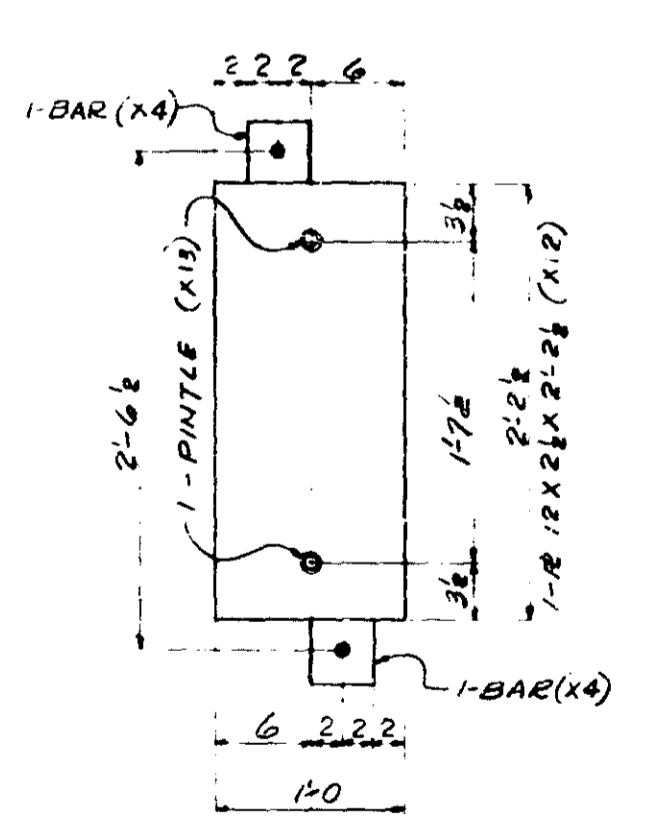
PINTLE DETAIL



10 BEARING PLATES - 2B



2 BEARING PLATES - 2D



11 BEARING PLATES - 2G

REAMING TEMPLATS FOR BRG. RS
2A - 2C * 2E FURNISHED BY
ST. PAUL FOUNDRY & MFG. CO.

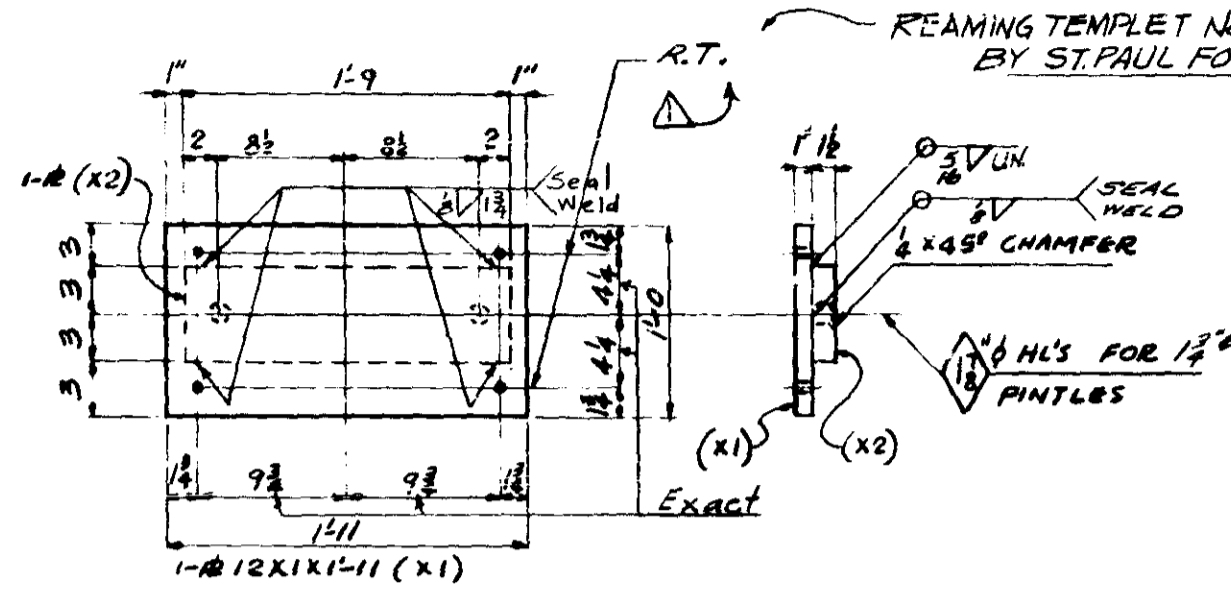
FOR GENERAL NOTES SEE
SHEET #1

DIV. NO.	ITEM NO.	QTY	SHAPE	LENGTH	PC. MK.	REMARKS	ITEM NO.	TOTAL WEIGHT	FINISH
10	2A	10	BEARING PLATES					67	NC
			10 R 12 X 1/4	1 11 X 1			8423		3306
			10 BAR 6 X 1/2	1 9 X 2			8424		3306
			10 3/8 WLD.	4 6					
			10 3/8 WLD.	1 0					
10	2B	10	BEARING PLATES					67	
			10 R 12 X 2 1/2	1 11 X 3 F.L.S.			8502		3306
			20 BAR 4 X 3/8	0 4 X 4			8503		3306
			20 1/2" ROD	0 3 1/2 F.A.O.			8504		3306
			10 3/8 WLD.	0 11					
			10 3/8 WLD.	0 11					
			10 3/8 WLD.	1 4					
20	2C	2	BEARING PLATES					68	
			2 R 12 X 1	1 11 X 6			8507		3306
			2 BAR 6 X 1/2	1 9 X 7			8508		3306
			2 3/8 WLD.	4 6					
			2 3/8 WLD.	1 0					
20	2D	2	BEARING PLATES					68	
			2 BAR 8 X 1/2	1 11 X 8 F.L.S.			8511		3306
			4 BAR	X 4			8512		3306
			4 1/2" ROD	0 2 1/2 X 9 F.A.O.			8513		3306
			2 3/8 WLD.	0 11					
			2 3/8 WLD.	0 11					
			2 3/8 WLD.	1 4					
11	2E	11	BEARING PLATES					69	
			11 R 12 X 1/4	2 2 1/2 X 10			8514		3306
			11 BAR 6 X 1/2	2 0 1/2 X 11			8515		3306
			11 3/8 WLD.	5 1					
			11 3/8 WLD.	1 0					
11	2G	11	BEARING PLATES					69	
			11 R 12 X 2 1/2	2 2 1/2 X 12 F.L.S.			8520		3306
			22 BAR	1 4			8521		3306
			22 1/2" ROD	0 3 1/2 X 13 F.A.O.			8522		3306
			11 3/8 WLD.	0 11					
			11 3/8 WLD.	0 11					
			11 3/8 WLD.	1 4					

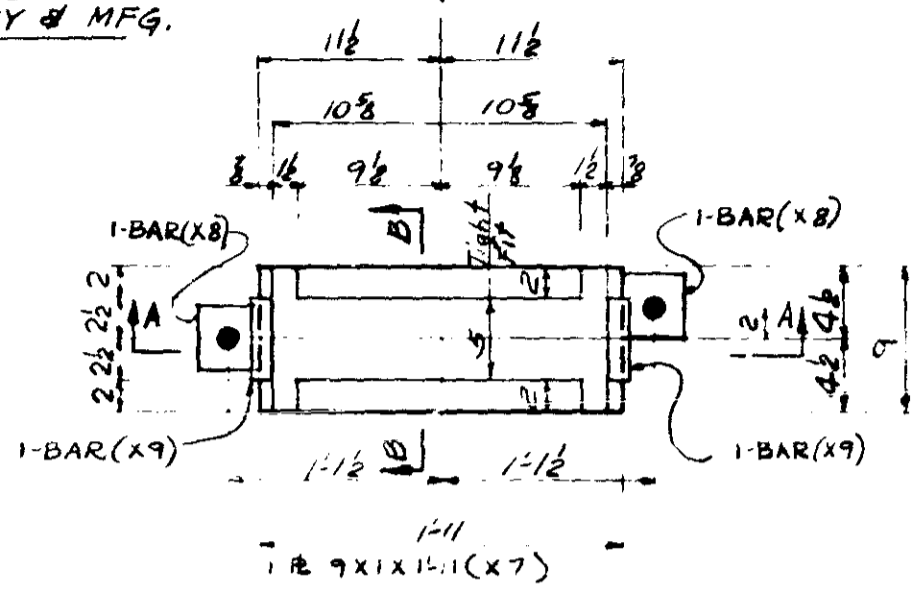
ALLIED STRUCTURAL STEEL COMPANY
 1100 WEST STATE STREET, MINNEAPOLIS, MINN. 55402
 DETAILS OF BEARING PLATES @ PIER # 3 & # 9
 STRUCTURE BRIDGE NB 9340
 LOCATION MINNEAPOLIS, MINNESOTA
 OWNER MINNESOTA STATE HWY. DEPT.
 CUSTOMER MINNESOTA STATE HWY. DEPT.
 CONTRACT 3142 FABCOD 924 SHEET 2

MINN. PROJ. NO. 7-1,35W-3(58)112
 STATE PROJ. NO. 2783-08(MNHW-354)
 DRAWN BY O.B. DATE 11/28/65 CHECKED BY S.R.W. DATE 1/26/66
 REVISIONS: 1/13/66

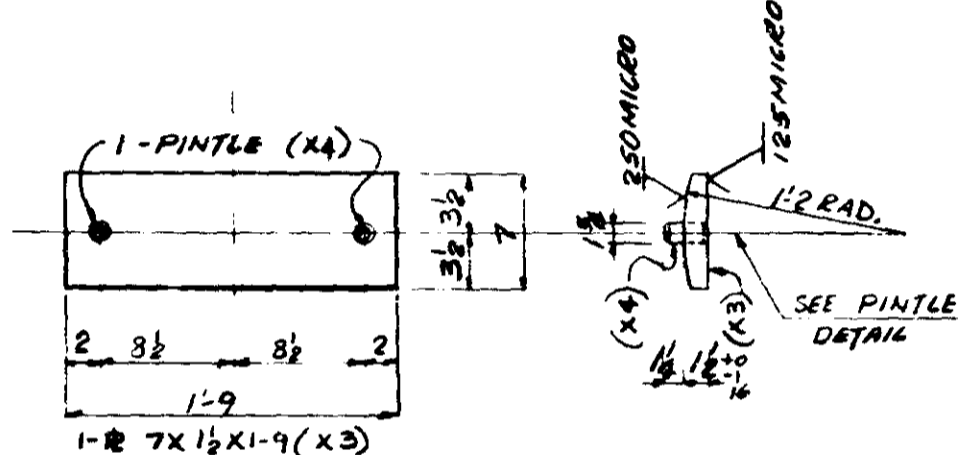
REF: E16E3



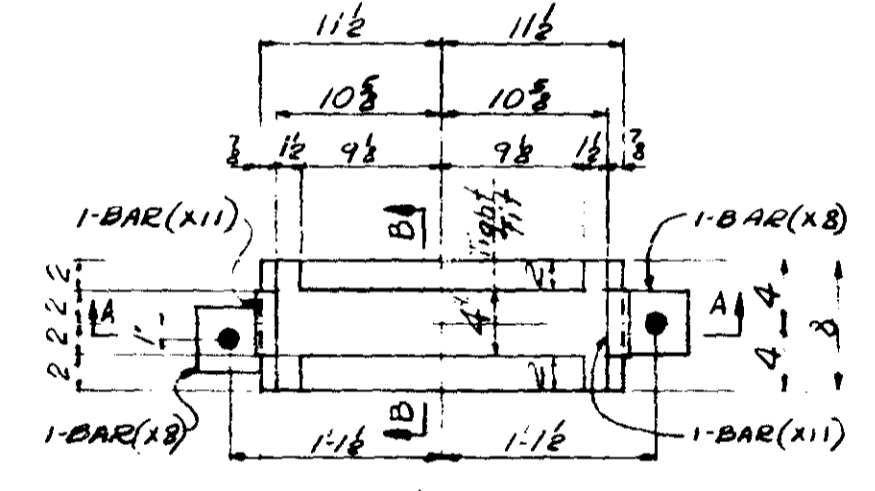
48+BEARING PLATES+3A



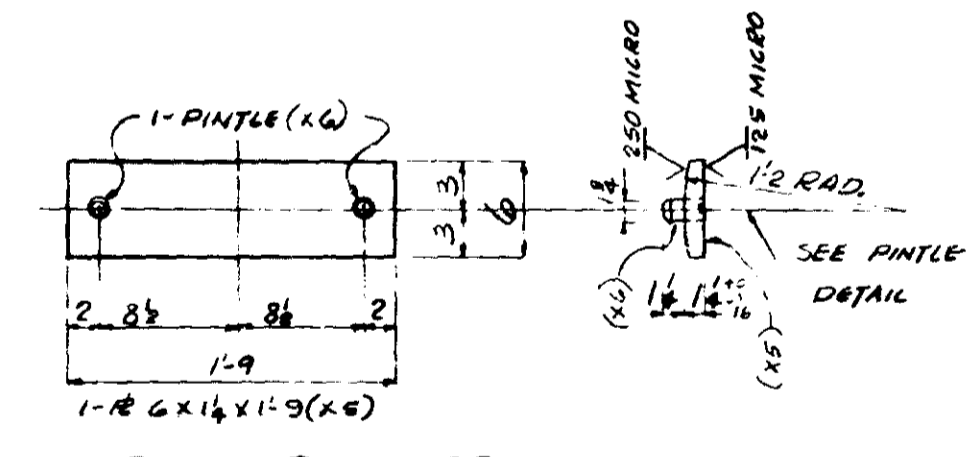
14+BEARING PLATES+3G



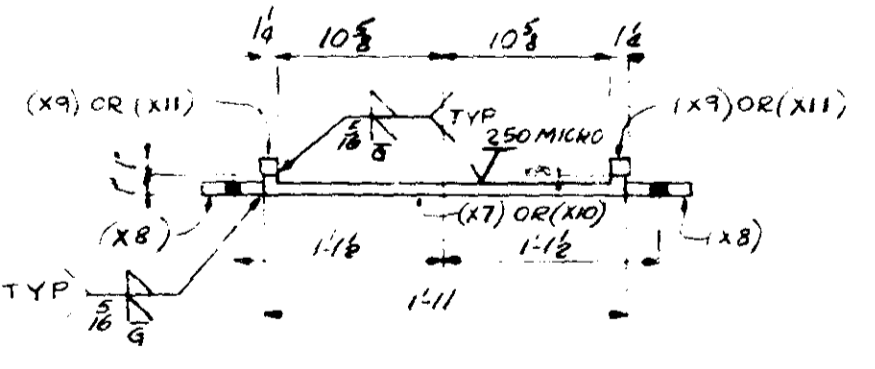
34+BEARING PLATES+3C



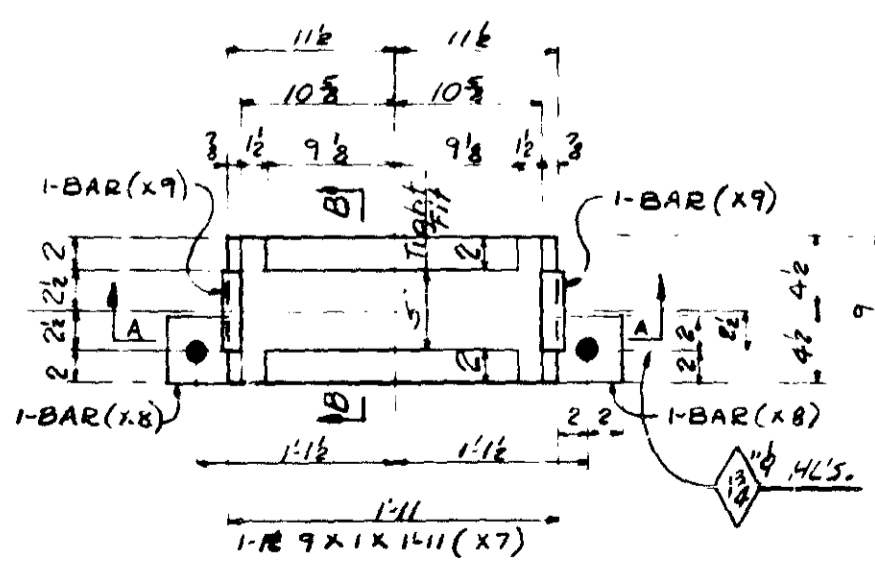
14+BEARING PLATES+3H



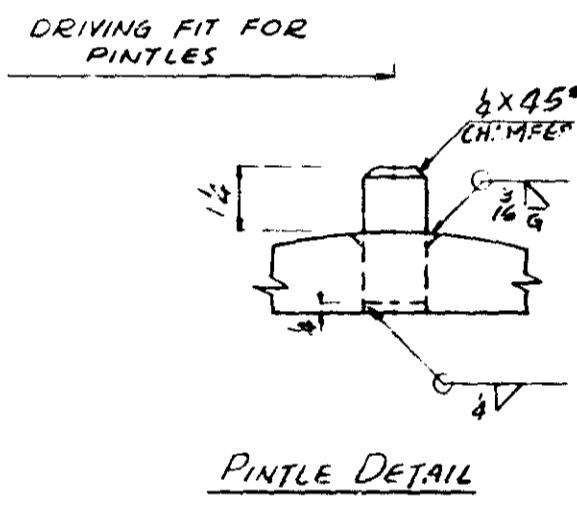
14+BEARING PLATES+3D



SECTION A-A



20+BEARING PLATES+3E



NOTE:
REAMING TEMPLT FOR BRG RS
3A TO BE FURNISHED BY
ST PAUL FOUNDRY & MFG. CO

FOR GENERAL NOTES SEE SHEET #1

DIV	ITEM	SHIP MK	NO	RECD	SHAPE	LENGTH	PC MK	REMARKS	ITEM NO	TOTAL WEIGHT
1	3									
10	10									
10	10	3A	34		BEARING PLATES				76	
	5		34		R 12 X 1	1 11	X1		8528	NC 3306
	6		34		Bar 6 X 1/2	1 9	X2		8628	3306
	7		34		3/4 WLD	4 6				
	8		34		1/2 WLD	1 0				
	9									
	10									
10	11	3A	14		BEARING PLATES				75	
	12		14				X1			3306
	13		14				X2			3306
	14		14		1/2 WLD	4 6				
	15		14		1/2 WLD	1 0				
	16									
	17									
10	18	3C	34		BEARING PLATES				76	
	19		34		Bar 7 X 1/2	1 9	X3	F.25.	8600	3306
	20		48		1 1/2" ROD	0 2	X4	F.A.O.	8603	3306
	21		34		1/2 WLD	1 0				
	22		34		1/2 WLD	1 0				
	23									
	24									
	25									
10	26	3D	14		BEARING PLATES				75	
	27		14		Bar 6 X 1/2	1 9	X5	F.25.	8600	3306
	28		28		1 1/2" ROD	2 4	X6	F.A.O.	8607	3306
	29		14		1/2 WLD	1 0				
	30		14		1/2 WLD	1 0				
	31									
	32									
10	33									
10	34	3E	20		BEARING PLATES				76	
	35		20		R 9 X 1	1 11	X7		8600	3306
	36		10		Bar 6 X 3/4	0 4	X8		8611	3306
	37		40		Bar 1 1/2 X 1	0 5	X9		8612	3306
	38		20		1/2 WLD	3 0				
	39									
	40									
	41									
10	42	3G	14		BEARING PLATES				76	
	43		14		R		X7		8615	3306
	44		28		BAR		X8		8616	3306
	45		28		BAR		X9		8617	3306
	46		14		1/2 WLD	3 0				
	47									
	48									
	49									
10	50	3H	14		BEARING PLATES				75	
	51		12		Bar 8 X 1	1 11	X10		8620	3306
	52		28		BAR		X8		8621	3306
	53		28		BAR 1 1/2 X 1	0 4	X11		8622	3306
	54		14		3/4 WLD	2 8				
	55									
	56									
	57									
	58									
	59									
	60									
	61									
	62									
	63									
	64									
	65									
	66									
	67									
	68									
	69									
	70									
	71									

ALLIED STRUCTURAL STEEL COMPANY

DETAILS OF BEARING PLATES @ PIER #2, #4, #10 & #11
 STRUCTURE BRIDGE NO 9340
 LOCATION MINNEAPOLIS, MINNESOTA
 OWNER MINNESOTA STATE HWY. DEPT.
 CUSTOMER MINNESOTA STATE HWY. DEPT.

MINN. PROD. NO. I-16 35W-3(58) 112
 STATE PROD. NO 2783-08 (TH35W-304)

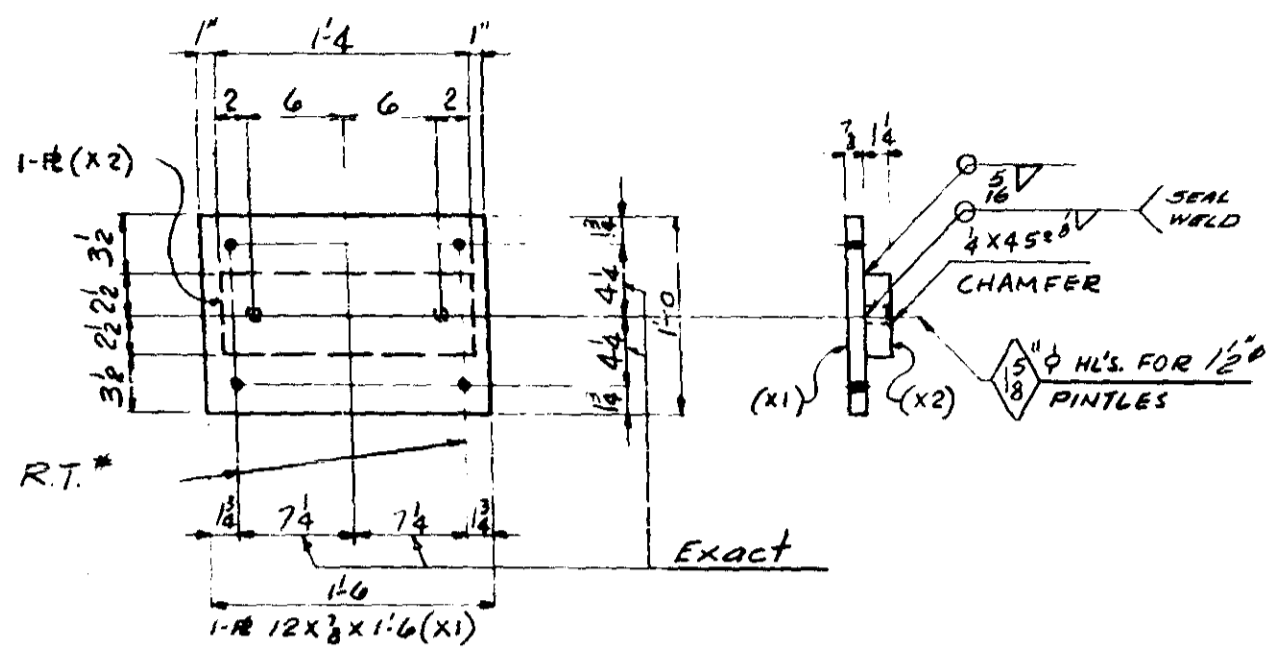
OPEN HOLES 1/2" UN RIVETS & BOLTS NONE PAINT NONE

DRAWN BY O.B. DATE 12-1-65 CHECKED BY CRN DATE 2-15-66

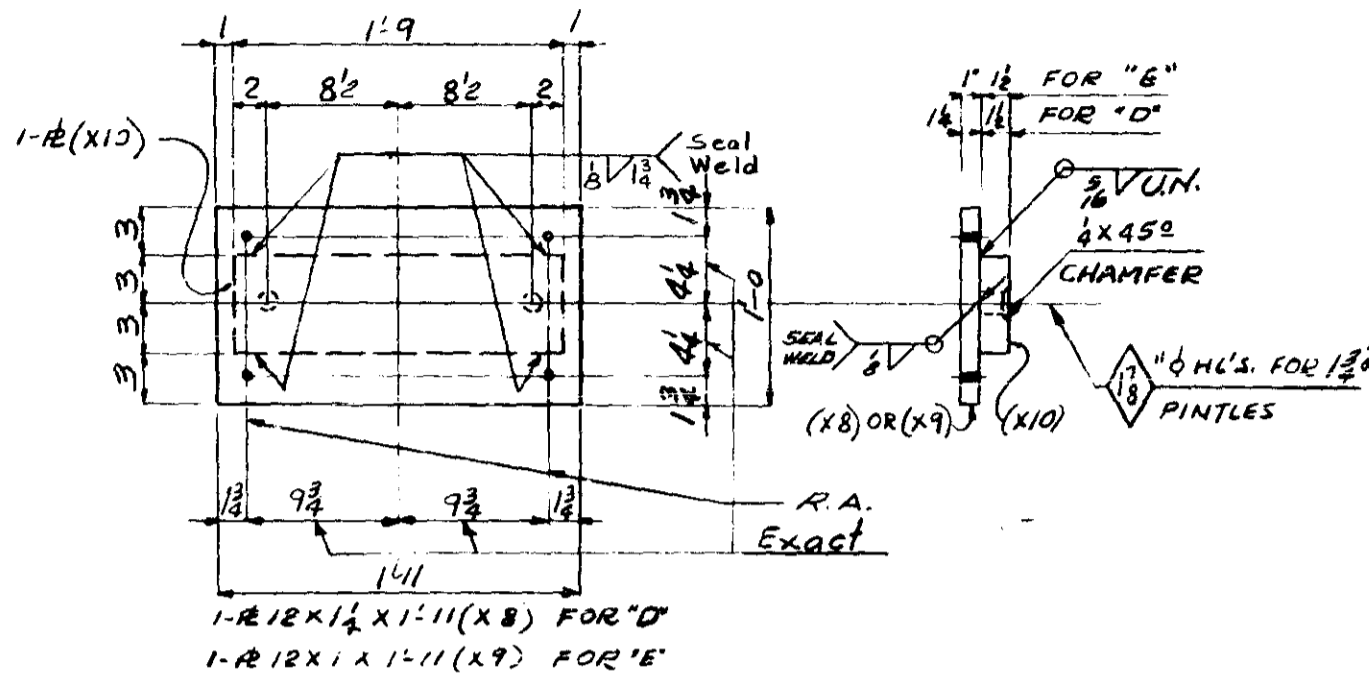
REVISIONS 5/13/66

CONTRACT 3142 FABCOD 924 SHEET 3

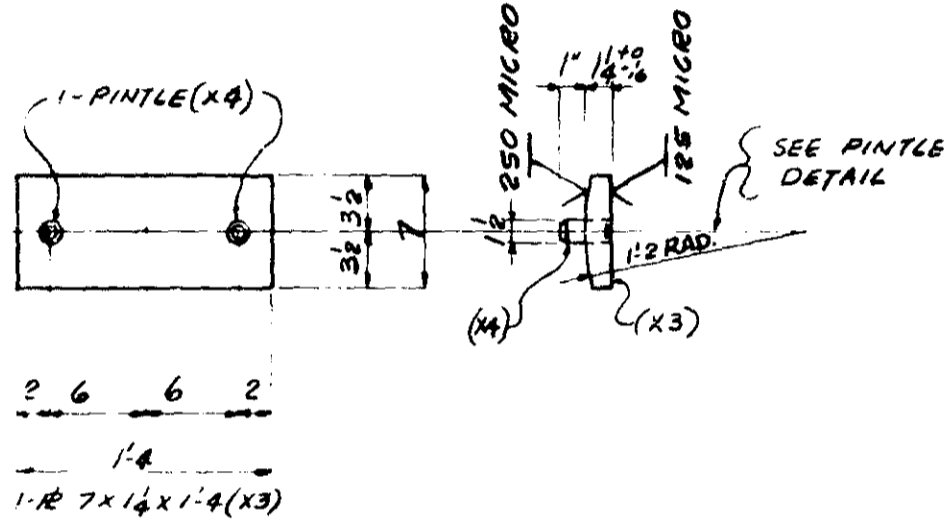
Hammond Fab
REF: E1 G E3



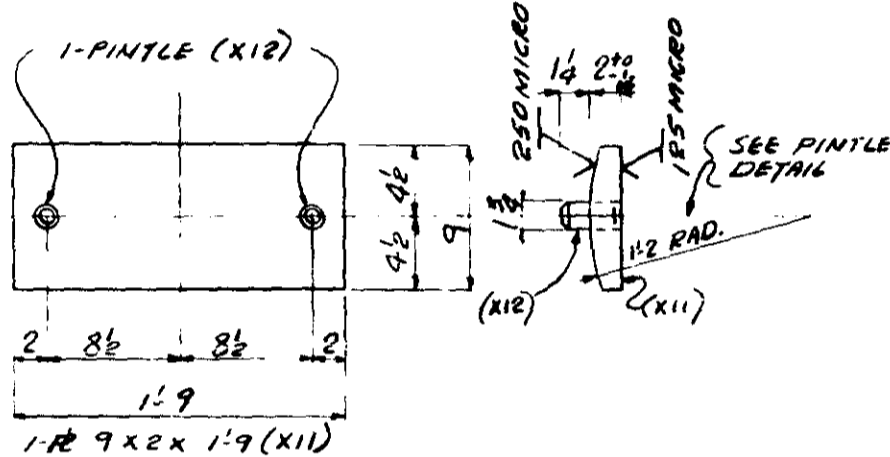
10x BEARING PLATES + 4A



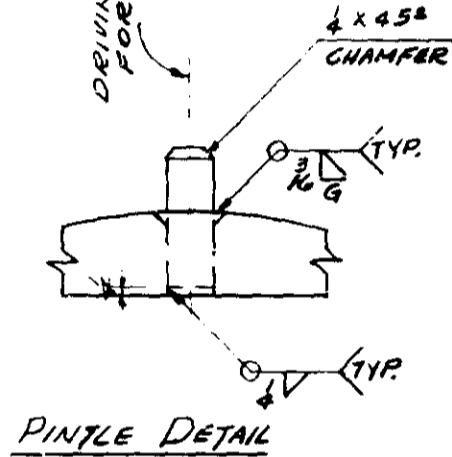
8x BEARING PLATES + 4D
12x BEARING PLATES + 4E



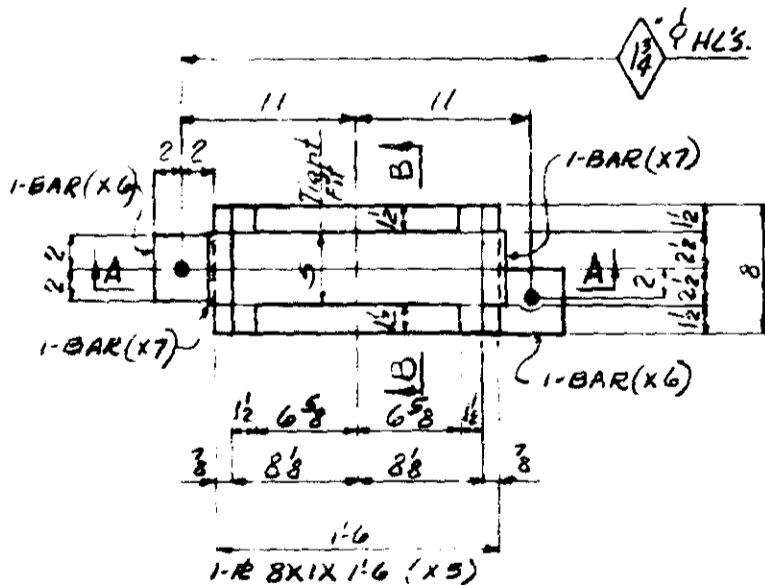
10x BEARING PLATES + 4B



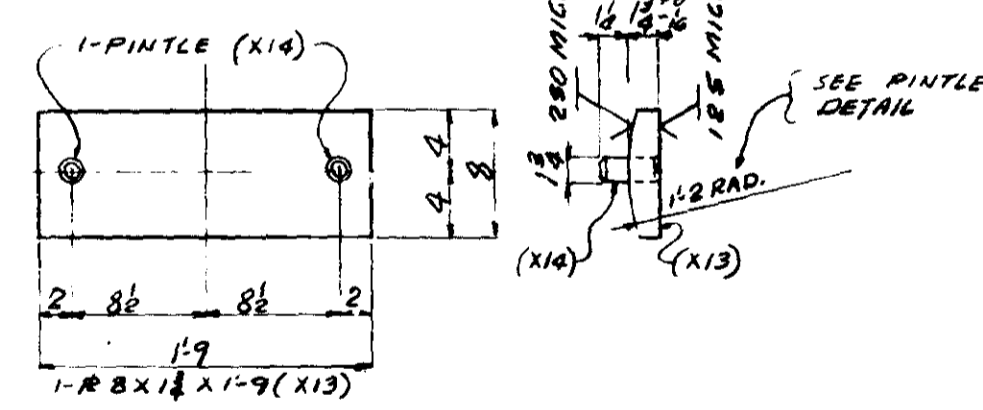
4x BEARING PLATES + 4G



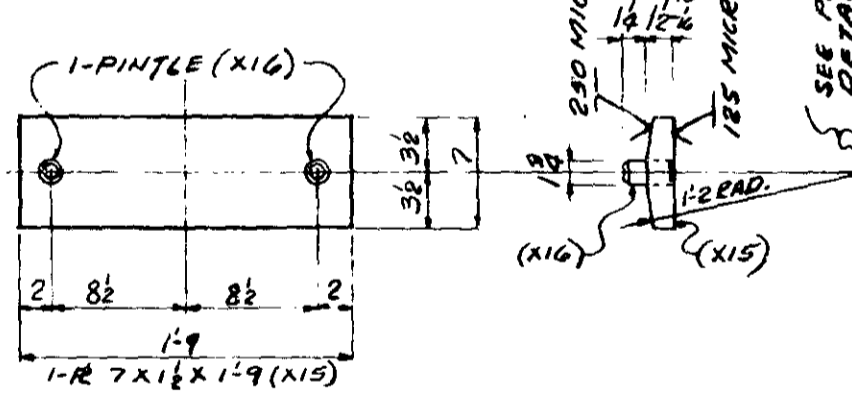
PINTLE DETAIL



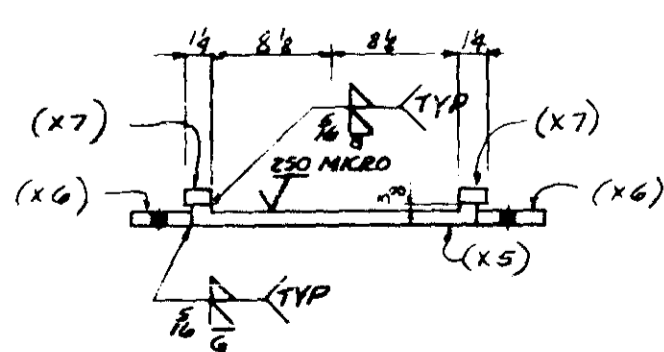
10x BEARING PLATE + 4C



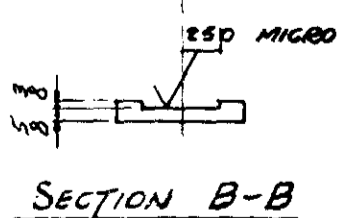
4x BEARING PLATES + 4H



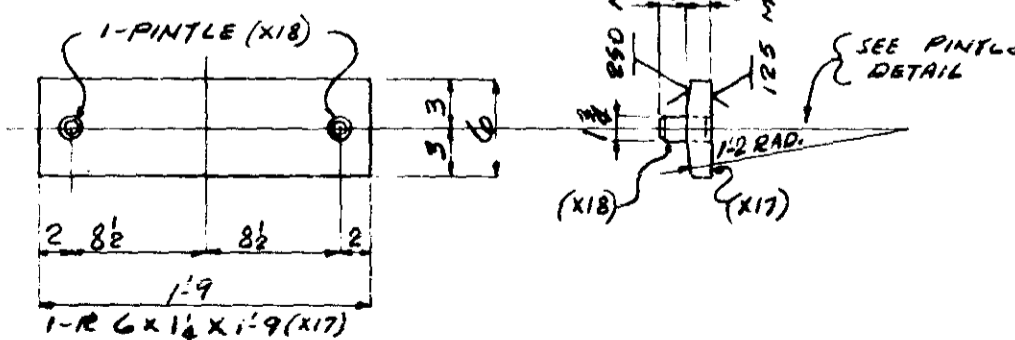
8x BEARING PLATES + 4K



SECTION A-A



SECTION B-B



4x BEARING PLATES + 4M

REAMING TEMPLAT FOR BRG #S
4A - 4D * 4E FURNISHED BY
ST. PAUL FOUNDRY & MFG. CO.

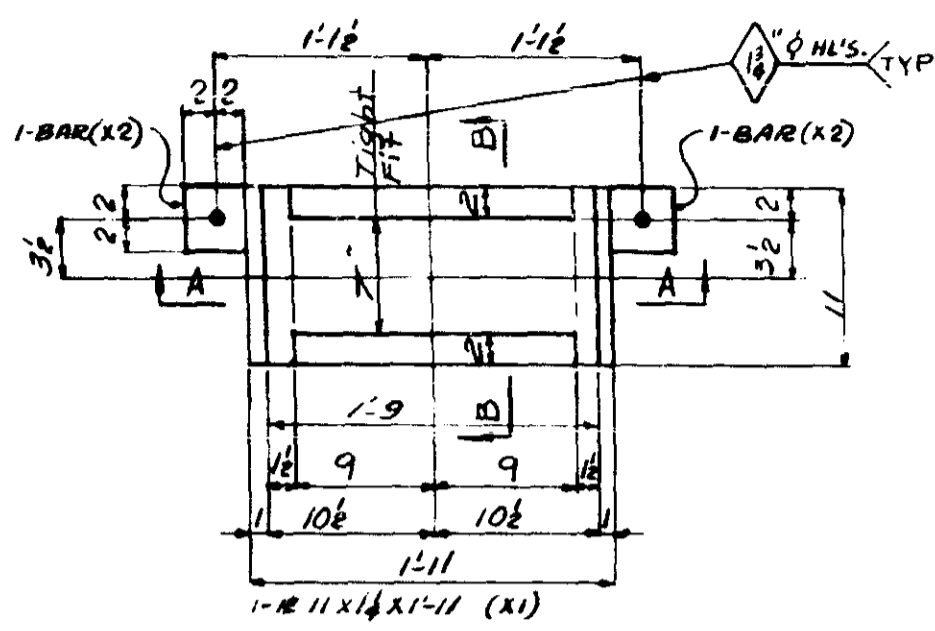
FOR GENERAL NOTES SEE SHEET #1

DIVISIONS	LINE	SHIP	NO	SHAPE	LENGTH	PC	REMARKS	ITEM	TOTAL
		NO.	REQD.			WT.		NO.	WEIGHT
	1								
	2								
10	3	4A	10	BEARING PLATES				72	
	4		10	12x 1/2	1 6	X1		8075	NC 3306
	5		10	BAR 5x 1/4	1 4	X2		8626	3306
	6		10	3/8 WLD.	3 6				
	7		10	1/2 WLD.	0 10				
10	9	4B	10	BEARING PLATES					
	10		10	BAR 7x 1/4	1 4	X3	F.S.	8702	72 3306
	11		20	ROD 1 1/2	0 2	X4	F.A.O.	8703	3306
	12		10	3/8 WLD.	0 11				
	13		10	1/2 WLD.	0 11				
10	16	4C	10	BEARING PLATES				72	
	17		10	BAR 8x 1	1 6	X5		8706	3306
	18		20	BAR 4x 3/8	0 4	X6		8707	3306
	19		20	BAR 1 1/2x 1	0 5	X7		8708	3306
	20		10	3/8 WLD.	3 0				
4	23	4D	4	BEARING PLATES				77	
	24		4	12x 1/2	1 11	X8		8711	3306
	25		4	BAR 6x 1/2	1 9	X10		8712	3306
	26		4	3/8 WLD.	4 6				
	27		4	1/2 WLD.	1 0				
4	28	4D	4	BEARING PLATES				80	
	29		4	12		X8			3306
	30		4	12		X10			3306
	31		4	3/8 WLD.	4 6				
	32		4	1/2 WLD.	1 0				
4	34	4E	4	BEARING PLATES				77	
	35		4	12x 1	1 11	X9		8716	3306
	36		4	12		X10		8718	3306
	37		4	3/8 WLD.	4 6				
	38		4	1/2 WLD.	1 0				
4	38	4E	8	BEARING PLATES				78	
	39		8	12		X9			3306
	40		8	12		X10			3306
	41		8	3/8 WLD.	4 6				
	42		8	1/2 WLD.	1 0				
4	43	4G	4	BEARING PLATES				80	
	44		4	9x 2	1 9	X11	F.S.	8719	3306
	45		8	ROD 1 1/2	0 3	X12	F.A.O.	8720	3306
	46		4	3/8 WLD.	0 11				
	47		4	1/2 WLD.	0 11				
4	49	4H	4	BEARING PLATES				79	
	50		4	BAR 6x 1/4	1 9	X13	F.S.	8723	3306
	51		8	ROD 1 1/2	0 2 1/2	X14	F.A.O.	8724	3306
	52		4	3/8 WLD.	0 11				
	53		4	1/2 WLD.	0 11				
4	56	4K	8	BEARING PLATES				78	
	57		8	BAR 7x 1/2	1 9	X15	F.S.	8727	3306
	58		16	ROD 1 1/2	0 2 1/2	X16	F.A.O.	8728	3306
	59		8	3/8 WLD.	0 11				
	60		8	1/2 WLD.	0 11				
4	63	4M	4	BEARING PLATES				77	
	64		4	BAR 6x 1/4	1 9	X17	F.S.	8729	3306
	65		8	ROD 1 1/2	0 2 1/2	X18	F.A.O.	8730	3306
	66		4	3/8 WLD.	0 11				
	67		4	1/2 WLD.	0 11				
	68								
	69								
	70								
	71								

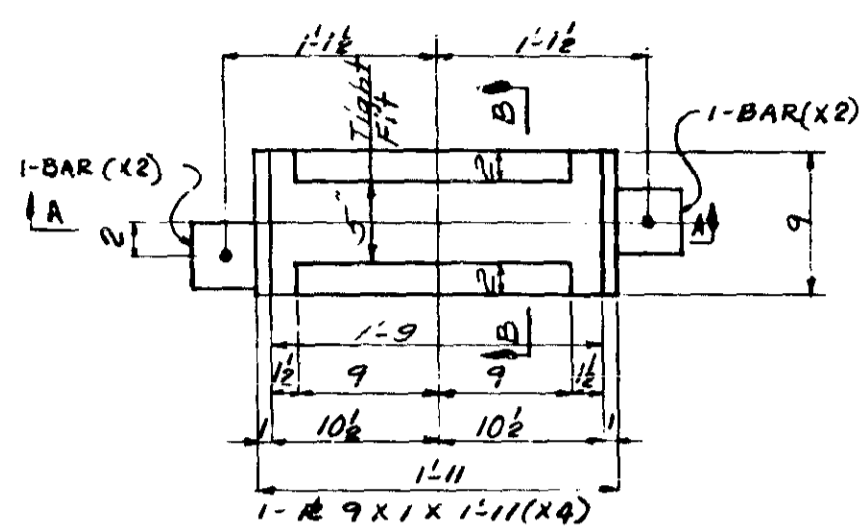
ALLIED STRUCTURAL STEEL COMPANY
 1425 14TH STREET, MINNEAPOLIS, MINN. 55403
 DETAILS OF BEARING PLATES @ SA. AMT. & P.W. # 2, 3, 4, 10 & 11
 STRUCTURE: BRIDGE NR 7340
 LOCATION: MINNEAPOLIS, MINNESOTA
 OWNER: MINNESOTA STATE HWY. DEPT.
 CUSTOMER: MINNESOTA STATE HWY. DEPT.
 CONTRACT 3142 FABCOD 924 SHEET 4

MINN. PROV. NR I-16 35W-3 (58) 112
 STATE PROV. NR 2783-08 (TH35W-35A)
 OPEN HOLES 1 1/8" U.N. RIVETS & BOLTS NONE PAINT NONE
 DRAWN BY O.B. DATE 12-7-65 CHECKED BY ERW DATE 12-15-65
 REVISIONS: Δ 5/13/66 Δ Δ Δ

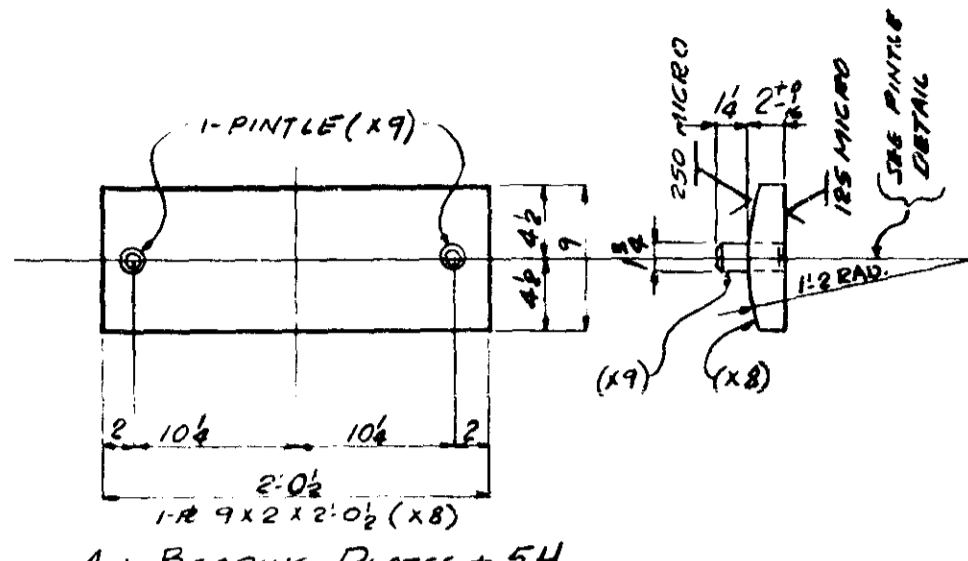
Hammond Fab
 REF: E1 & E3



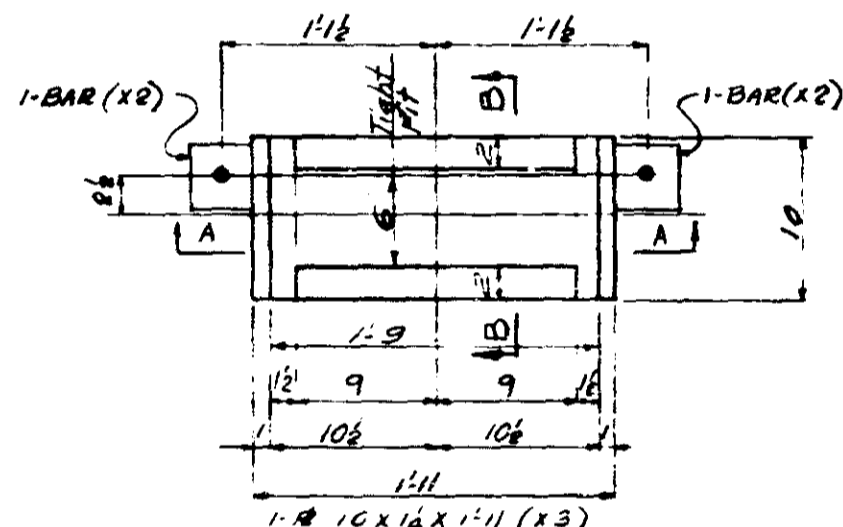
4+ BEARING PLATES + 5A



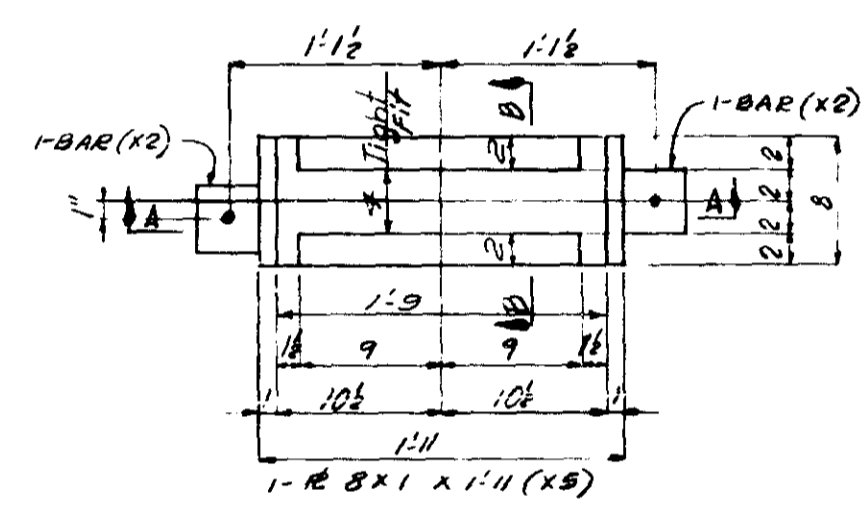
4+ BEARING PLATES + 5D



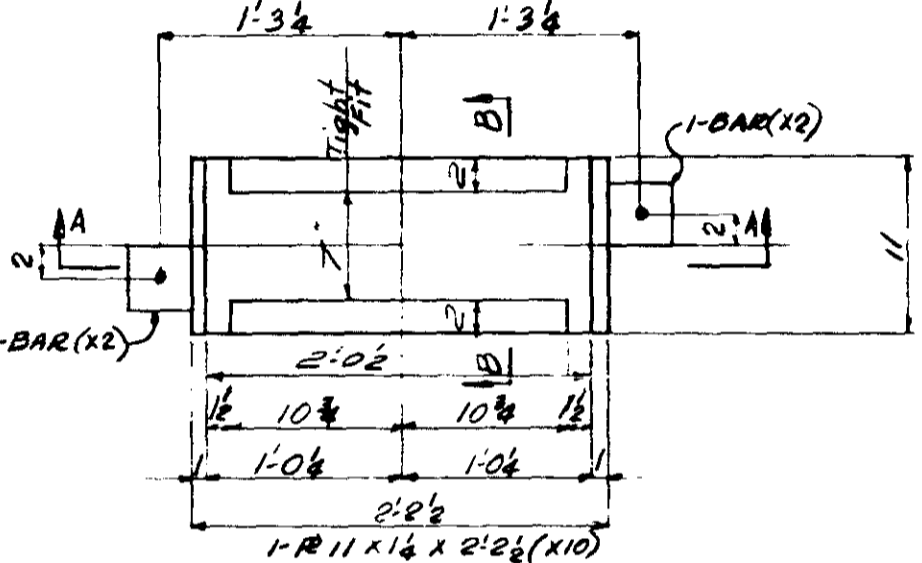
4+ BEARING PLATES + 5H



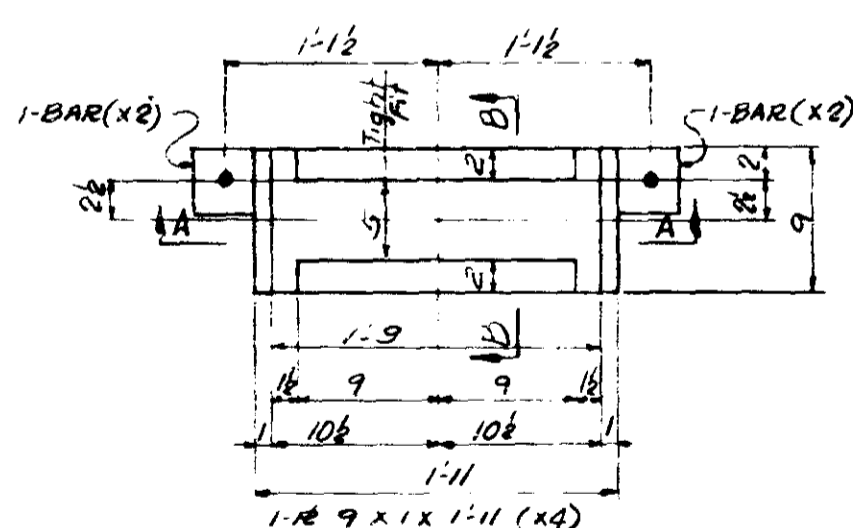
4+ BEARING PLATES - 5B



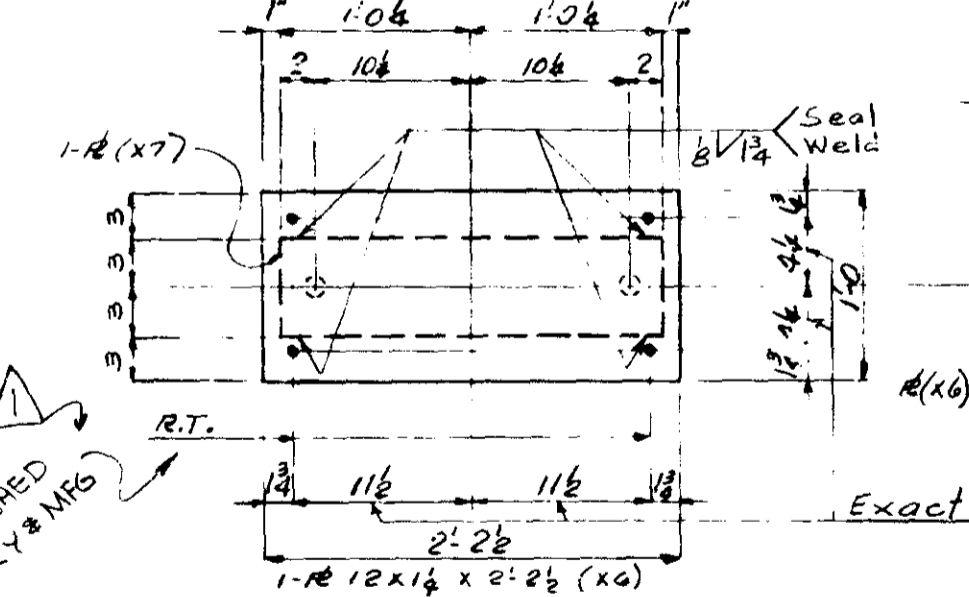
4+ BEARING PLATES + 5E



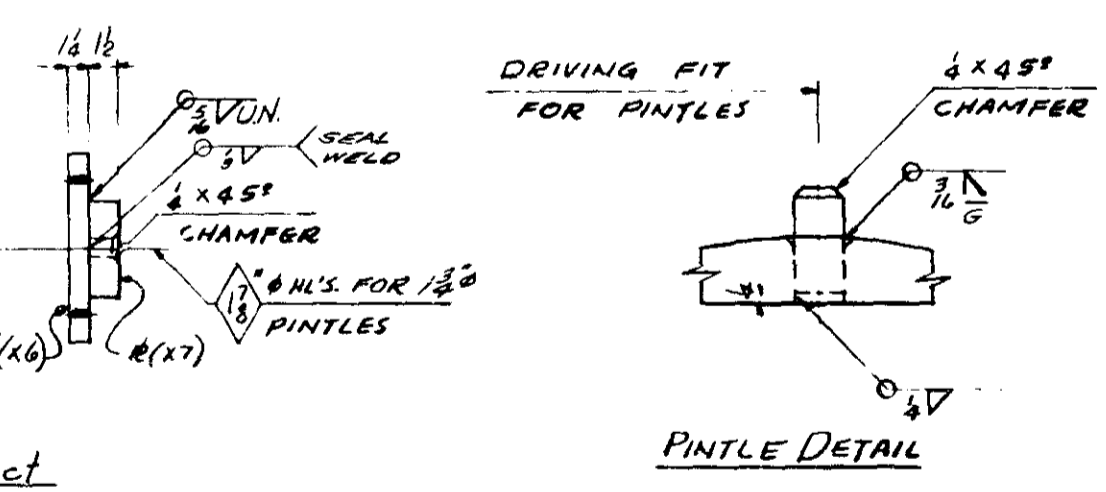
4+ BEARING PLATES 5K



4+ BEARING PLATES + 5C



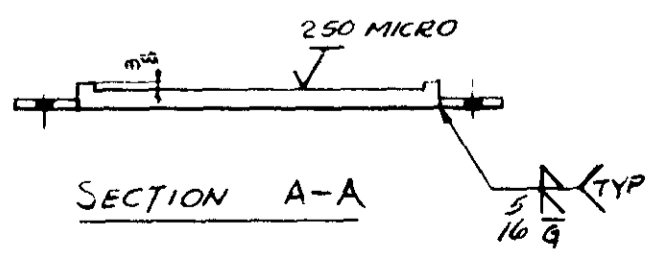
4+ BEARING PLATES + 5G



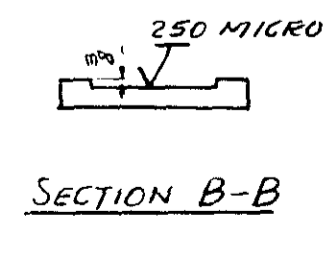
PINTLE DETAIL

NOTE:
REAMING TEMPLAT FOR BRG. P. 5G"
TO BE FURNISHED BY
ST. PAUL FOUNDRY & MFG CO.

FOR GENERAL NOTES SEE SHEET #1



SECTION A-A



SECTION B-B

Div. No.	SHIP MK	NO	SHAPE	LENGTH	PC MK	REMARKS	ITEM NO	TOTAL WEIGHT
13415		1						
		2						
4		3	5A	4 BEARING PLATES			80	
		4	4 R 11x1 1/2	1 11 X1			NC	3306
		5	8 BAR 4x3/4	0 4 X2				3306
		6	4 3/4 WLD.	1 4				
		7						
		8						
4		9	5B	4 BEARING PLATES			79	
		10	4 R 10x1 1/2	1 11 X3				3306
		11	8 BAR	X2				3306
		12	4 3/4 WLD.	1 4				
		13						
		14						
4		15	5C	4 BEARING PLATES			78	
		16	4 R 9x1	1 11 X4				3306
		17	8 BAR	X2				3306
		18	4 3/4 WLD.	1 4				
		19						
		20						
4		21	5D	4 BEARING PLATES			78	
		22	4 R	X4				3306
		23	8 BAR	X2				3306
		24	4 3/4 WLD.	1 4				
		25						
		26						
4		27	5E	4 BEARING PLATES			77	
		28	4 R 8x1	1 11 X5				3306
		29	8 BAR	X2				3306
		30	4 3/4 WLD.	1 4				
		31						
		32						
4		33	5G	4 BEARING PLATES			81	
		34	4 R 12x1 1/2	2 2 1/2 X6				3306
		35	4 BAR 6x1 1/2	2 0 1/2 X7				3306
		36	4 3/4 WLD.	5 1				
		37	4 3/4 WLD.	1 0				
		38						
4		39	5H	4 BEARING PLATES			81	
		40	4 R 2x2	2 0 1/2 X8 F.F.S.				3306
		41	2 PADS 1 1/2\"/>					
		42	4 3/4 WLD.	0 11				
		43	4 3/4 WLD.	0 11				
		44						
		45						
4		46	5K	4 BEARING PLATES			81	
		47	4 R 11x1 1/2	2 2 1/2 X10				3306
		48	8 BAR	X2				3306
		49	4 3/4 WLD.	1 4				
		50						
		51						
		52						
		53						
		54						
		55						
		56						
		57						
		58						
		59						
		60						
		61						
		62						
		63						
		64						
		65						
		66						
		67						
		68						
		69						
		70						
		71						

ALLIED STRUCTURAL STEEL COMPANY
 ENGINEERS ARCHITECTS CONTRACTORS
 1100 STATE STREET MINNEAPOLIS, MINN. 55403

MINN. PROJ. NO. E-19 35W-3(58) 112
 STATE PROJ. NO. 2783-08(TN.35W-394)

DETAILS OF BEARING PLATES @ PIER #2, 3, 4, 9, 10 & 11
 BRIDGE NO 9340

STRUCTURE MINNEAPOLIS, MINNESOTA
 LOCATION MINNESOTA HWY. DEPT.
 OWNER MINNESOTA HWY. DEPT.
 CUSTOMER MINNESOTA HWY. DEPT.

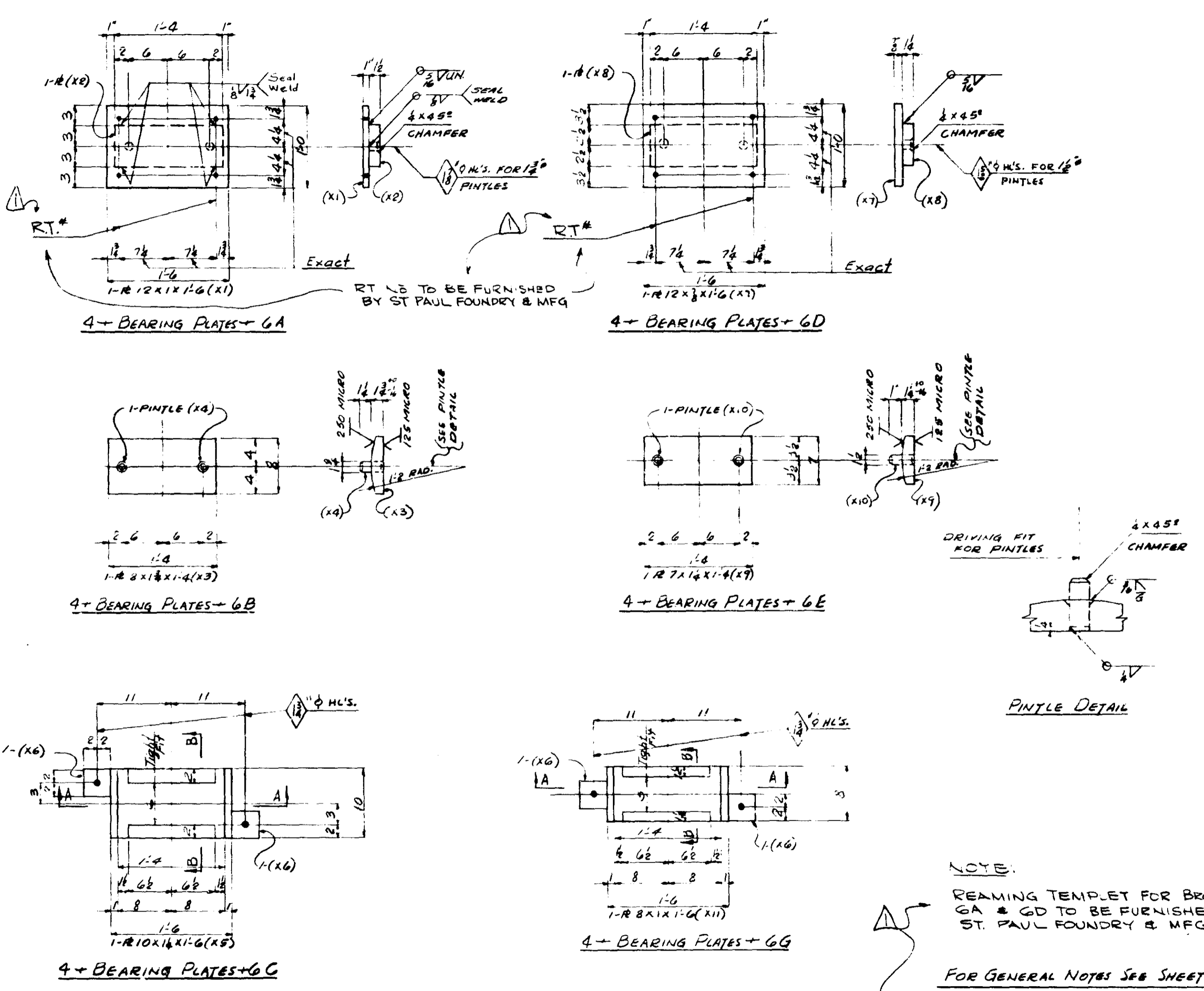
OPEN HOLES 1/2\"/>

Hammond Fab. REF E1 & E3

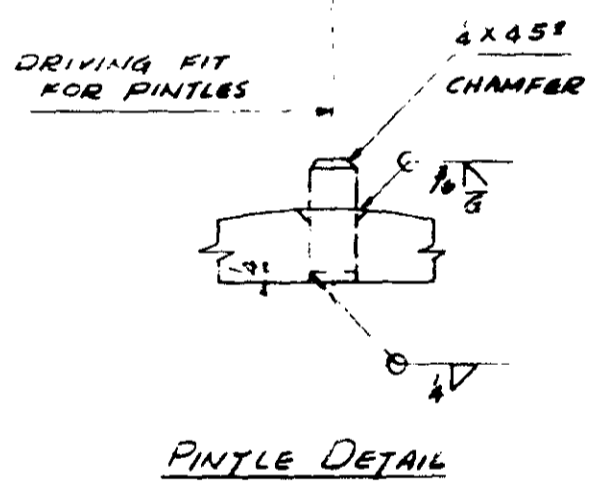
REVISIONS: 3/18/60, 3/18/60, 3/18/60, 3/18/60

DRAWN BY: CB DATE: 12-25-59 CHECKED BY: SRW DATE: 12-15-59

CONTRACT 3142 FABCOD 924 SHEET 5



ITEM NO.	SHIP NO.	QTY	SHAPE	LENGTH	PC WT	REMARKS	ITEM NO.	TOTAL WEIGHT
6A		4	BEARING PLATES				74	
		4	12 X 1	1 6	X1		NC	3306
		4	BAR X 1/4	1 4	X2			3306
		4	3/4 WLD.	3 8				
		4	1/2 WLD.	1 0				
6B		4	BEARING PLATES				74	
		4	8 X 1 1/4	1 4	X3	F.P.S.		3306
		8	ROD 1/2"	0 2	X4	F.A.O.		3306
		4	3/4 WLD.	0 11				
		4	1/2 WLD.	0 11				
6C		4	BEARING PLATES				74	
		4	10 X 1 1/4	1 6	X5			3306
		8	BAR 1/2"	0 4	X6			3306
		4	3/4 WLD.	1 4				
6D		4	BEARING PLATES				73	
		4	12 X 1 1/4	1 6	X7			3306
		4	BAR 1/2"	1 4	X8			3306
		4	3/4 WLD.	3 6				
		4	1/2 WLD.	0 10				
6E		4	BEARING PLATES				73	
		4	8 X 1 1/4	1 4	X9	F.P.S.		3306
		8	ROD 1/2"	0 2	X10	F.A.O.		3306
		4	3/4 WLD.	0 11				
		4	1/2 WLD.	0 11				
6G		4	BEARING PLATES				73	
		4	8 X 1 1/4	1 4	X11			3306
		8	BAR 1/2"	0 4	X12			3306
		4	3/4 WLD.	1 4				



NOTE:
 REAMING TEMPLAT FOR BRG. R
 GA & GD TO BE FURNISHED BY
 ST. PAUL FOUNDRY & MFG CO.
 FOR GENERAL NOTES SEE SHEET #1

ALLIED STRUCTURAL STEEL COMPANY
 1115 15TH STREET S.W. MINNEAPOLIS, MINN. 55403

DETAILS OF: BEARING PLATES @ SCABOT & PARK #1
 STRUCTURE: BRIDGE NE 9340
 LOCATION: MINNEAPOLIS, MINNESOTA
 OWNER: MINNESOTA HWY. DEPT.
 CUSTOMER: MINNESOTA HWY. DEPT.

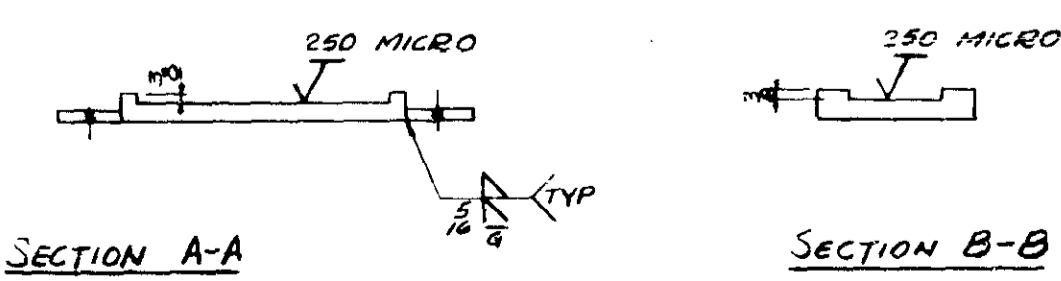
DIVISION #2
 MINN. PROJ. NO. I-14 35W-3(58)112
 STATE PROJ. NO. 2703-08(7X15W-354)

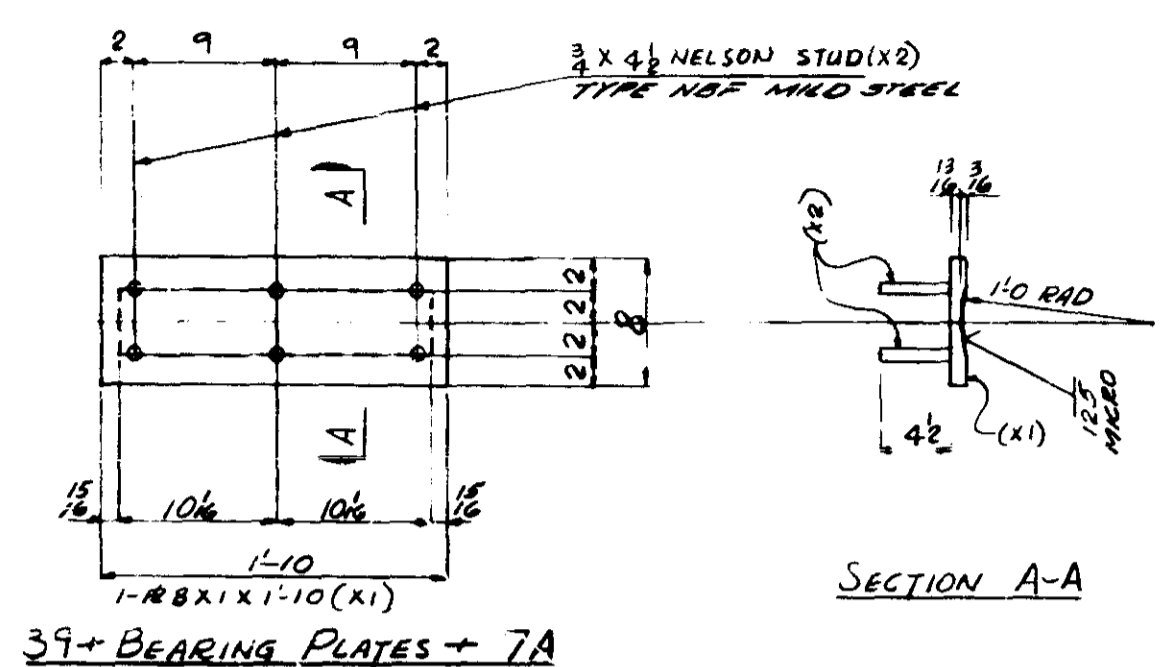
Hammond Fab.
 REF. E1

OPEN HOLES 1/16" UN. NIVETS & BOLTS NONE PAINT NONE
 DRAWN BY: OR DATE: 12/10/65 CHECKED BY: ERW DATE: 12/15/65

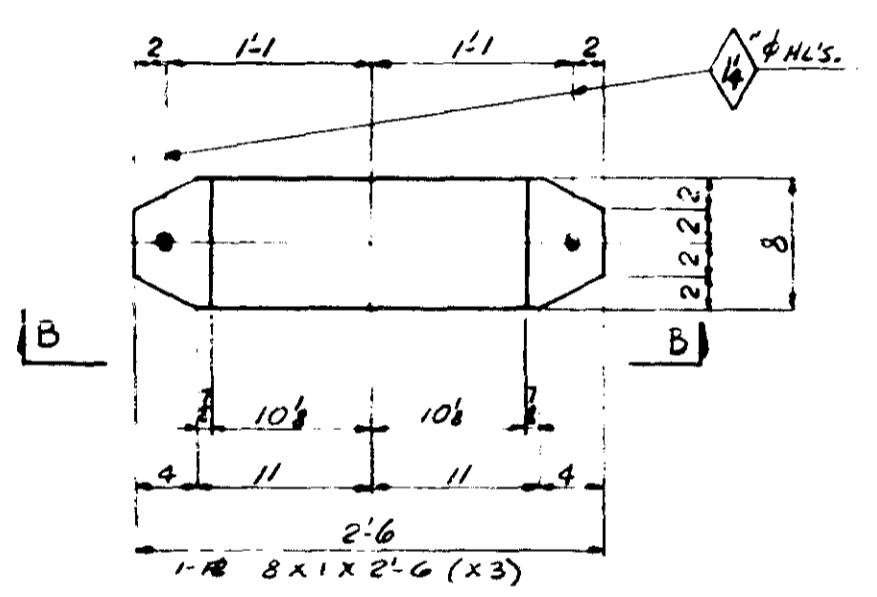
REVISIONS: 1/13/66

CONTRACT 3142 FABCOD 924 SHEET 6

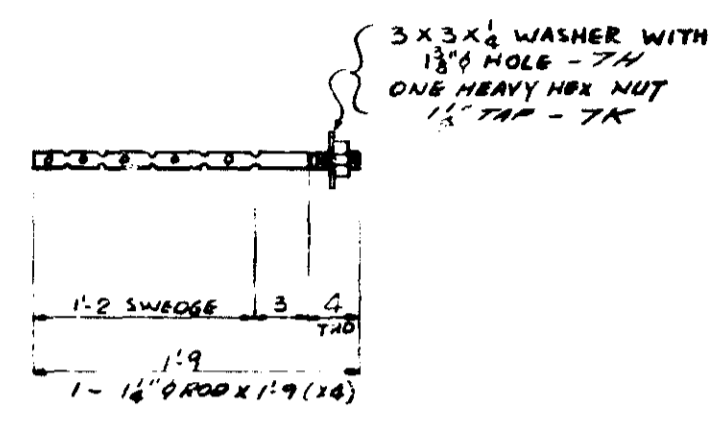




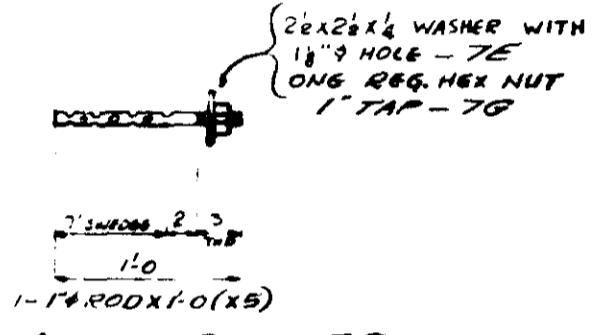
39+ BEARING PLATES + 7A



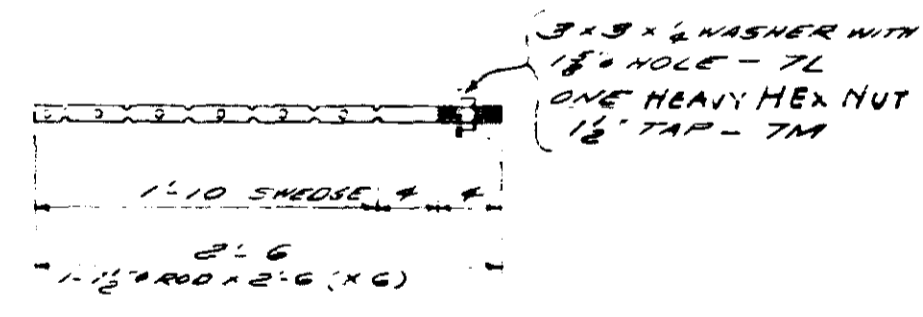
39+ BEARING PLATES + 7B



246+ ANCHOR BOLTS - 7C
246 - WASHERS - 7H
246 - HEX. NUTS - 7K



78+ ANCHOR BOLTS + 7D
78 - WASHERS - 7E
78 - HEX NUTS - 7G



80 - ANCHOR BOLTS - 7P
80 - WASHERS - 7L
80 - HEX NUTS - 7M

ZALCANIZE ANCHOR BOLTS, WASHERS & NUTS.
PER M.H.D. 3392

FOR GENERAL NOTES SEE SHEET #1

ADV	DIVISION	QTY	SHIP	NO	SHAPE	LENGTH	PC	REMARKS	ITEM	TOTAL
SYMP			NO	ROD			NO		NO	WEIGHT
	7	11	1	2	3	4	5			
39					7A	39 BEARING PLATES				
					39	Bar 8 x 1	1	10 x 1	9010	82
					234	3/4" NELSON STUDS	0	4 1/2 x 2		
39					7B	39 BEARING PLATES				
					39	Bar 8 x 1	2	6 x 3	9016	82
					7C	246 ANCHOR BOLTS				
					246	ROD 1 1/2"	1	9 x 9		3306
					7H	246 WASHER 3 x 3/4	0	3		3306
					7K	246 1 1/2" HEAVY HEX NUT				3306
78					7D	78 ANCHOR BOLTS				
					78	ROD 1"	1	15		3306
78					7E	78 WASHER 2 1/4"	0	3		3306
78					7G	78 1" REG. HEX NUT				3391A
					7P	80 ANCHOR BOLTS				
					80	ROD 1 1/2"	2	6 x 6	9109	70
					7L	80 WASHER 3 1/4"	0	3		3391A
					7M	80 2 1/8" HEAVY HEX NUT				3391A
					7N	80 2 1/8" HEAVY HEX NUT				3391A
					7O	80 2 1/8" HEAVY HEX NUT				3391A

BID ITEM QUANTITIES FOR

ANCHOR BOLTS 7C	WASHERS 7H	NUTS 7K
20	66	NC
20	67	
4	68	
22	69	
20	70	
8	71	
8	72	
28	73	
68	74	
8	75	
8	76	
16	77	
8	78	
8	79	
8	80	
8	81	

ALLIED STRUCTURAL STEEL COMPANY
1400 W. 14TH STREET, MINNEAPOLIS, MINN. 55404

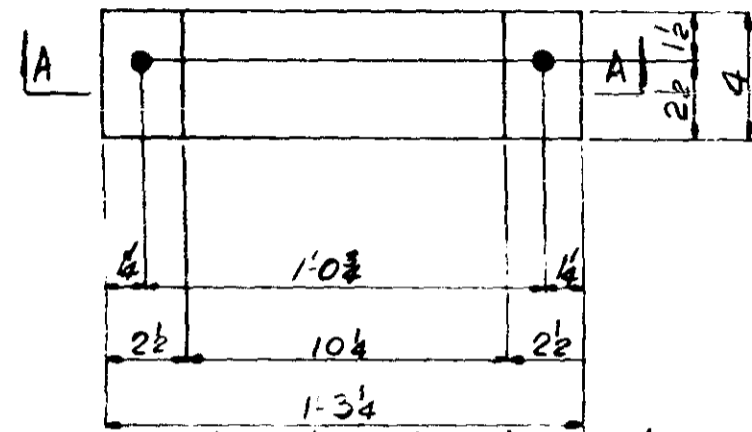
DETAILS OF BEARING PLATES & ANCHOR BOLTS
STRUCTURE: BRIDGE NO 9340
LOCATION: MINNEAPOLIS, MINNESOTA
OWNER: MINNESOTA HWY. DEPT.
CUSTOMER: MINNESOTA HWY. DEPT.

MINN. PROJ. NO. I-16 35W-3(58) 112
STATE PROJ. NO. 2783-08(TN35W-304)

OPEN HOLES NOTED RIVETS & BOLTS NONE PAINT NONE
DRAWN BY O.B. DATE 8-11-65 CHECKED BY CRW DATE 8-16-65

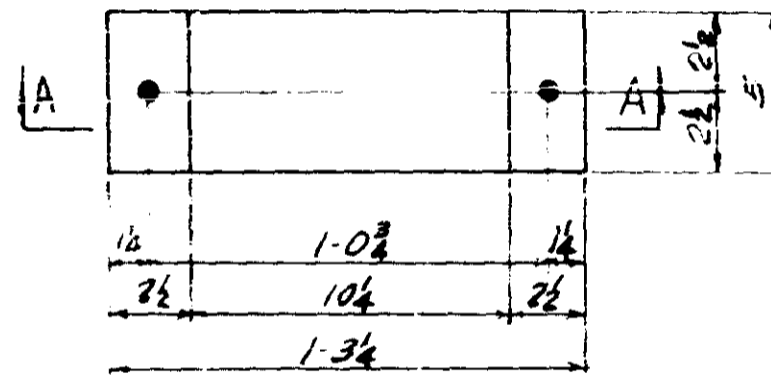
Hammond Fab
Rep: E1-E2-E3

CONTRACT 3142 FABCOD 924 SHEET 7



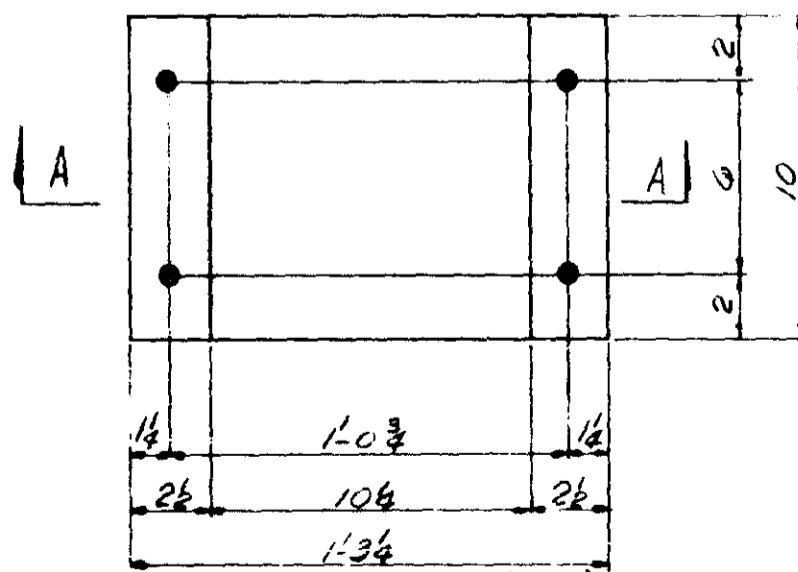
1-R 4x1 1/2 x 1'-3 1/4 (X1) FOR A
 1-R 4x1 1/2 x 1'-3 1/4 (X4) FOR D
 1-R 4x1 1/2 x 1'-3 1/4 (X8) FOR K

36-STRINGER SEATS - 8A
 3-STRINGER SEATS - 8D
 ONE-STRINGER SEAT - 8K



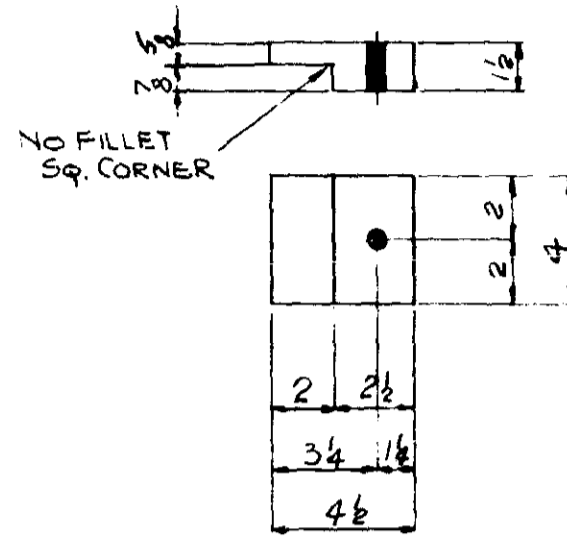
1-R 5x1 1/2 x 1'-3 1/4 (X2) FOR B
 1-R 5x1 1/2 x 1'-3 1/4 (X5) FOR E
 1-R 5x1 1/2 x 1'-3 1/4 (X7) FOR H
 1-R 5x1 1/2 x 1'-3 1/4 (X9) FOR M

2-STRINGER SEATS - 8M
 35-STRINGER SEATS - 8B
 2-STRINGER SEATS - 8E
 ONE-STRINGER SEAT - 8H

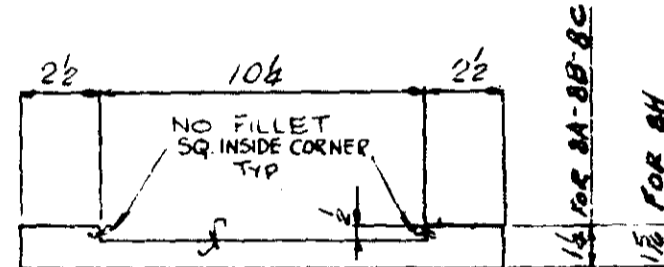


1-R 10x1 1/2 x 1'-3 1/4 (X3)

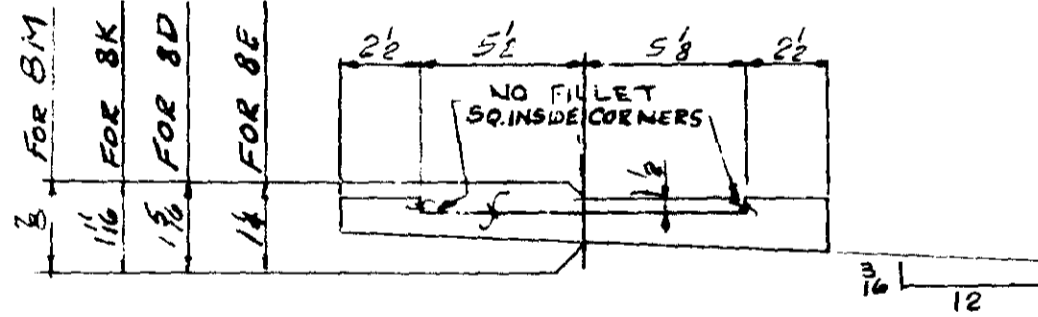
36+ STRINGER SEATS - 8C



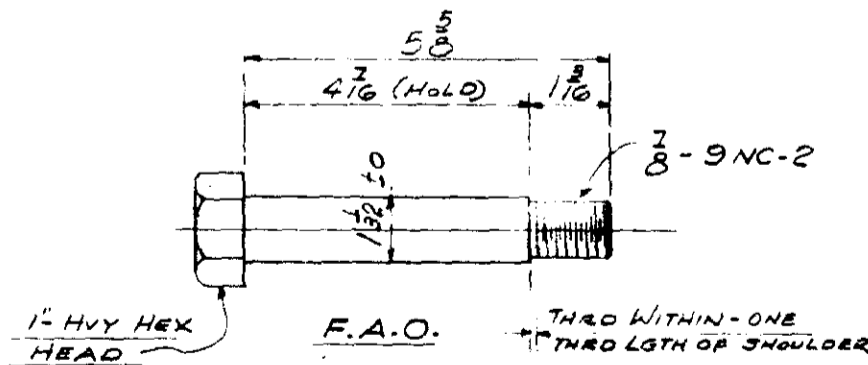
1-R 4x1 1/2 x 0'-4 1/2 (X6)
 144+ PLATES - 8G



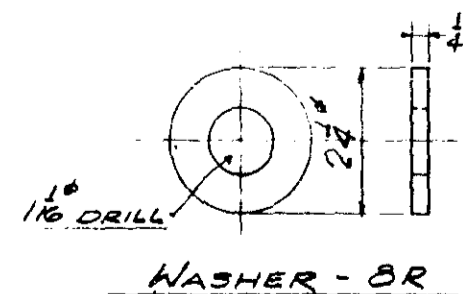
SECTION A-A
 (FOR 8A-8B-8C-8H)



SECTION A-A
 FOR 8E, 8K & 8M (AS SHOWN)
 FOR 8D (OPP. HAND)



TURNED BOLT - 8N



WASHER - 8R

STRINGER SEATS
 ARE TO BE
 FABRICATED IN HAMMOND
 & SHIPPED TO CLINTON PLANT
 FOR ASSEMBLY TO P.L.T.R.

DO NOT SHIP
 FROM THIS SHEET

SHOP NOTES:
 SURFACES MARKED (f) TO CONFORM
 TO A.S.A. ROUGHNESS VALUE 250
 FOR GENERAL NOTES SEE SHEET GNI

MINN. PROJ. NO I-14 35 W-3(50) 112
 HAMMOND FAB. STATE PROJ. NO 2783-9340B (TH 35 W-344)

OPEN HOLES	1 1/2"	RIVETS & BOLTS	NONE	PAINT	YES SEE BMT. GNI
DRAWN BY	DB	DATE	12-22-65	CHECKED BY	KLK
DATE	9/28/66	DATE	24/66		

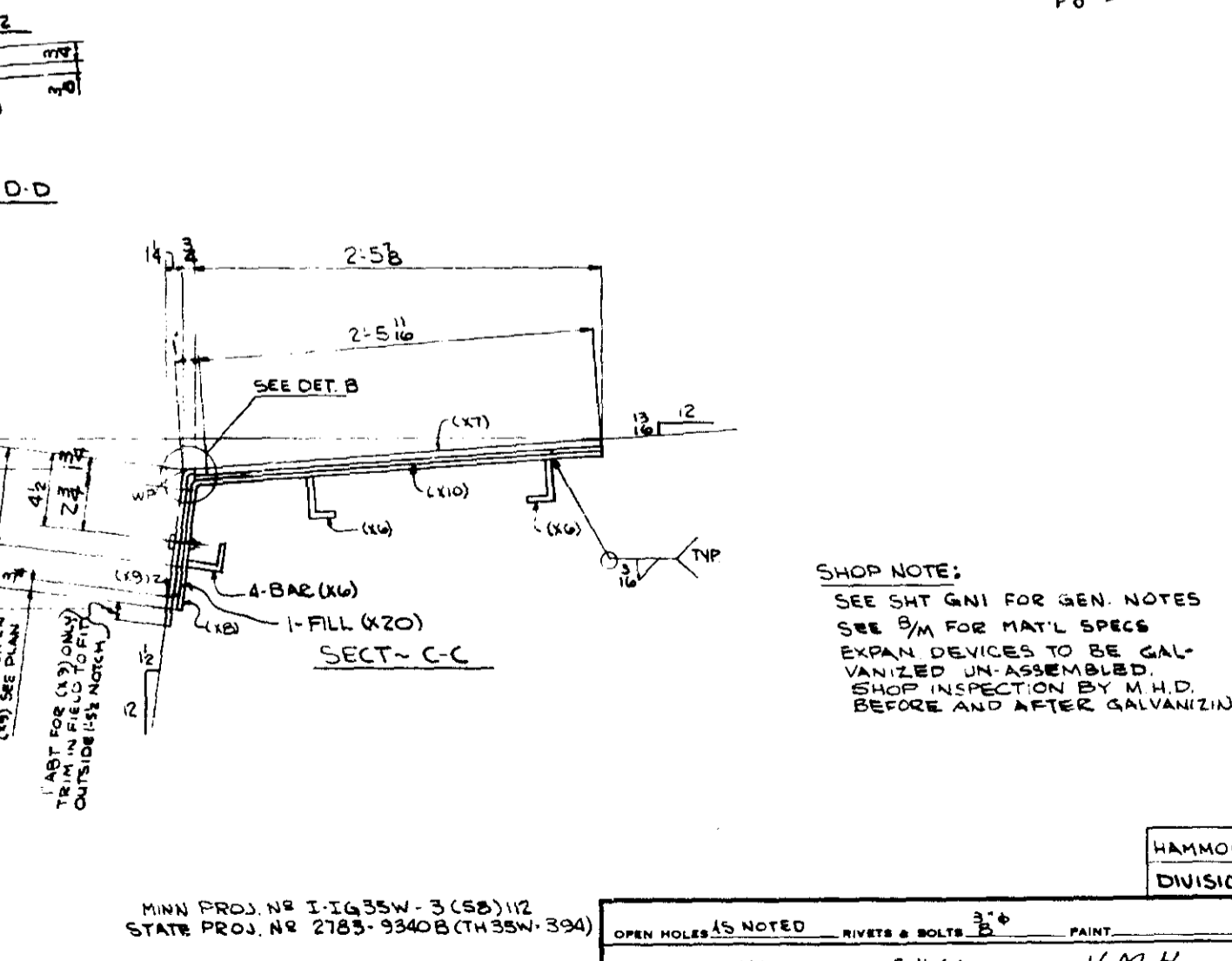
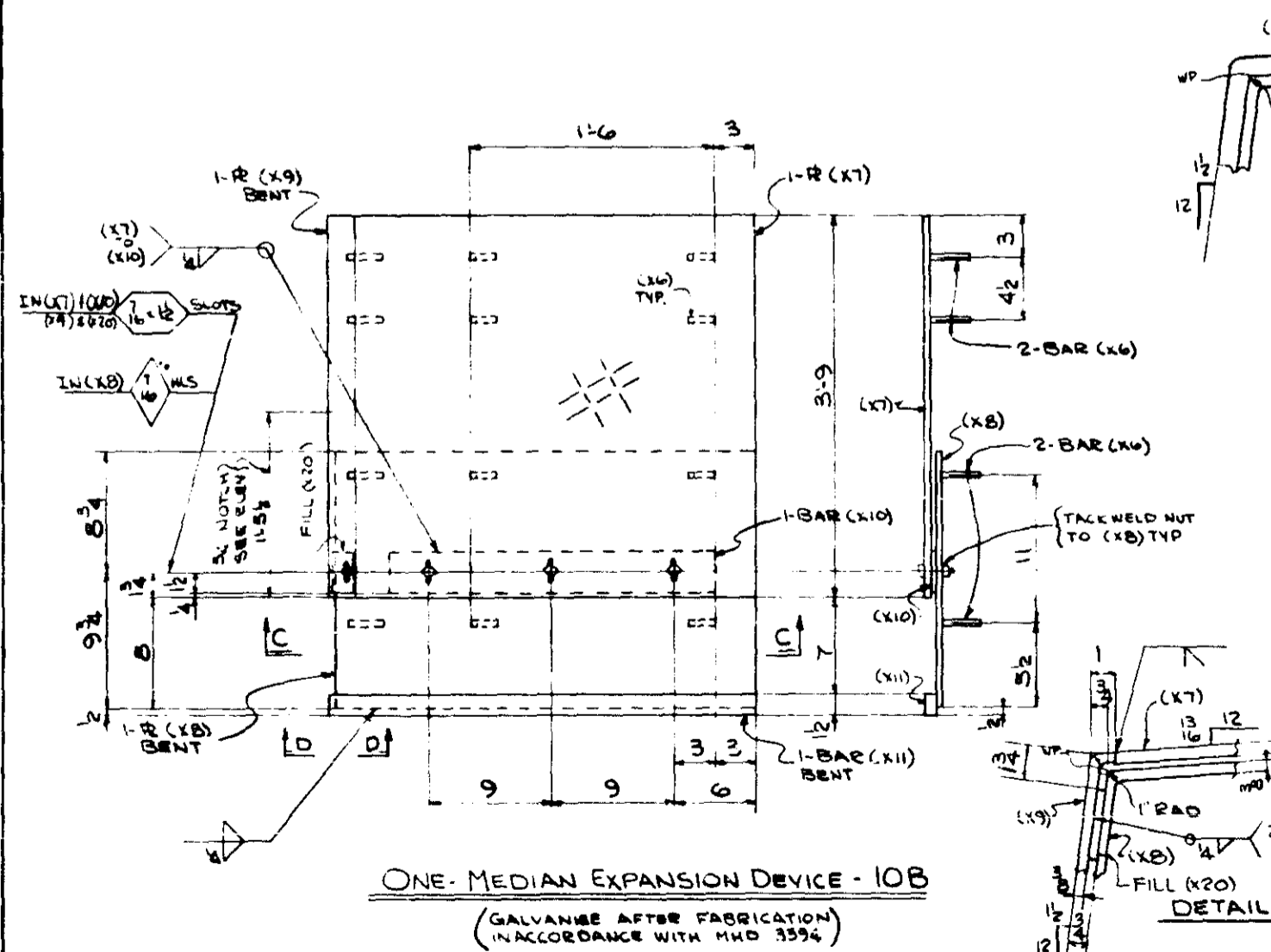
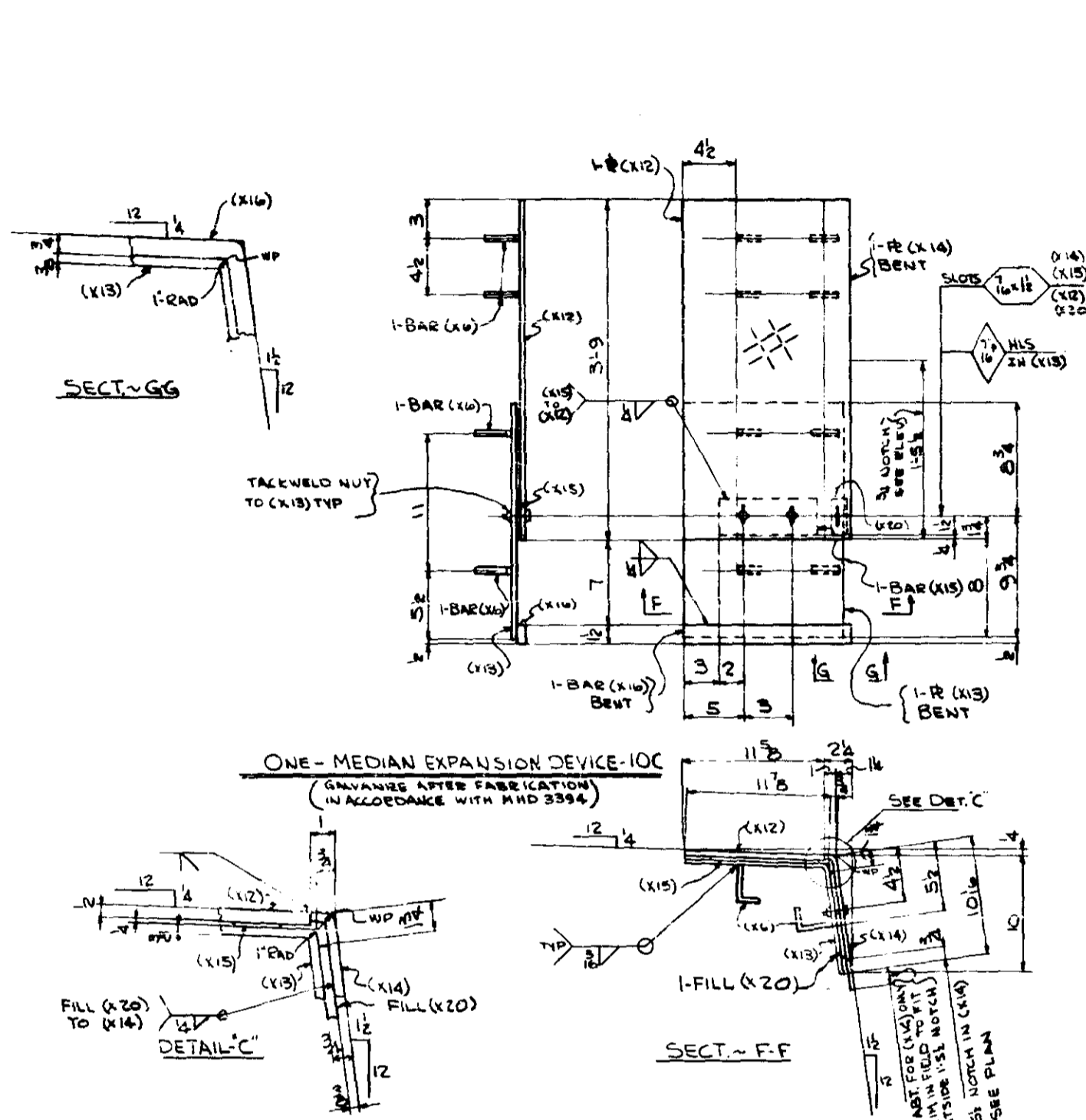
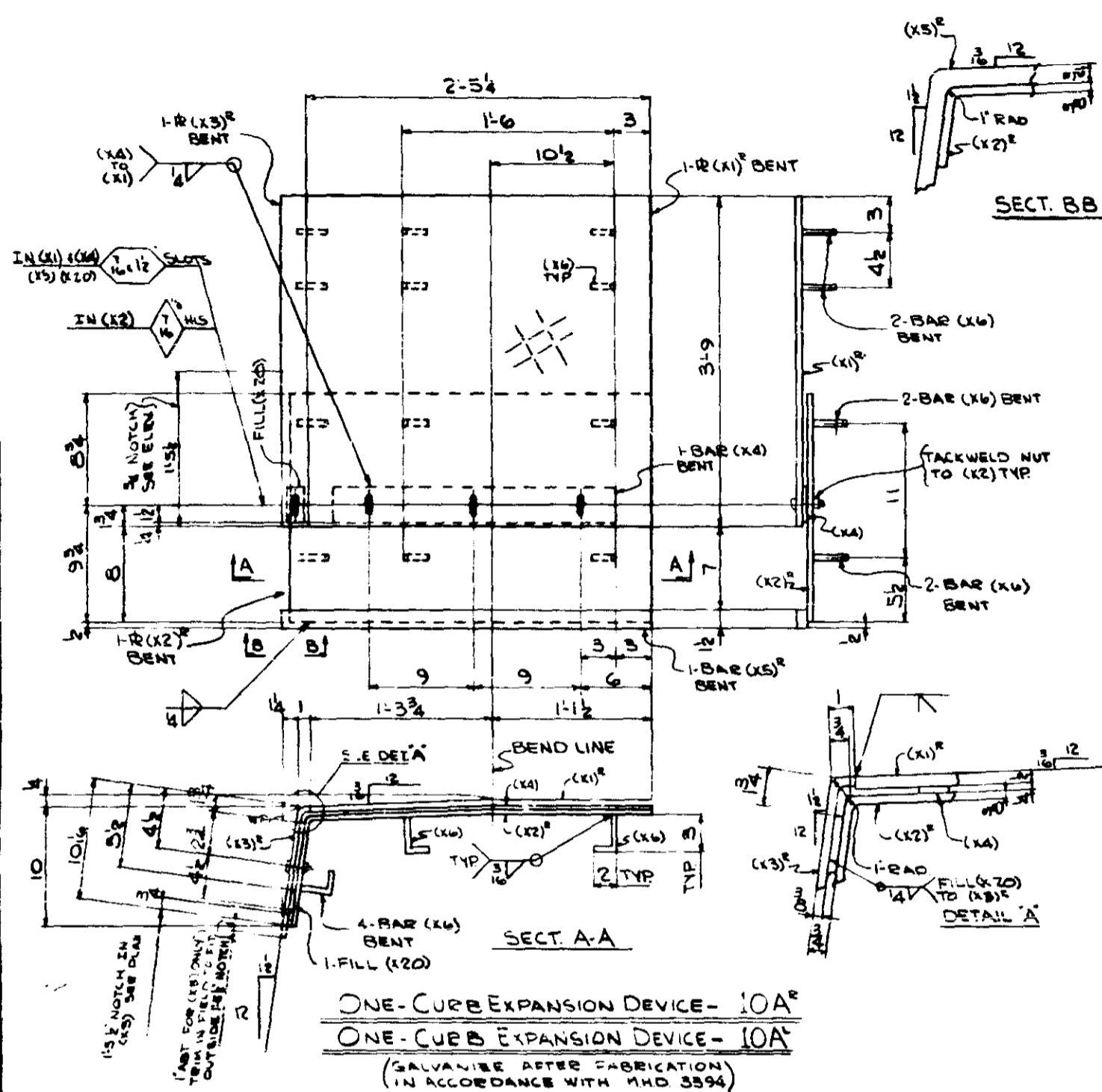
DIVISIONS																	ITEM NO	REMARKS	PC MK	LENGTH	SHAPE	NO REQ	SHIP MK	TOTAL WEIGHT				
7	8	9	10	11	12	13	14	15	16	17	18	19																
																	8A	36	STRINGER SEATS	36	R 4x1 1/2	1 3/4 x 1		421	59	778	3306	
																	8B	35	STRINGER SEATS	35	R 5x1 1/2	1 3/4 x 2		422	59	945	3306	
																	8C	36	STRINGER SEATS	36	R 10x1 1/2	1 3/4 x 3		423	59	1944	3306	
																	8D	3	STRINGER SEATS	3	R 4x1 1/2	1 3/4 x 4 BEVEL		424	59	75	3306	
																	8E	2	STRINGER SEATS	2	R 5x1 1/2	1 3/4 x 5 BEVEL		425	59	59	3306	
																	8G	144	PLATES	144	BARS 4x1 1/2	0 42x1		426	59	1102	3306	
																	8H	1	ONE STRINGER SEAT	1	R 5x1 1/2	1 3/4 x 7		427	59	28	3306	
																	8K	1	ONE STRINGER SEAT	1	R 4x1 1/2	1 3/4 x 8 BEVEL		428	59	31	3306	
																	8M	2	STRINGER SEATS	2	R 5x1	1 3/4 x 9 BEVEL		429	59	43	3306	
																	8N	120	TURNED BOLTS				PER DETAIL					
																	8P	120	1/2" HYV HEX NUTS									
																	8R	120	STL WASHERS - 2 1/4"									

ALLIED STRUCTURAL STEEL COMPANIES
 CLINTON BRIDGE CORP. • BATES STRUCTURAL STEEL CORP. • MIDLAND STRUCTURAL STEEL CORP.
 ENGINEERS • FABRICATORS • ERECTORS OF BUILDINGS AND BRIDGES
 20 NORTH WACKER DRIVE CHICAGO 6, ILLINOIS

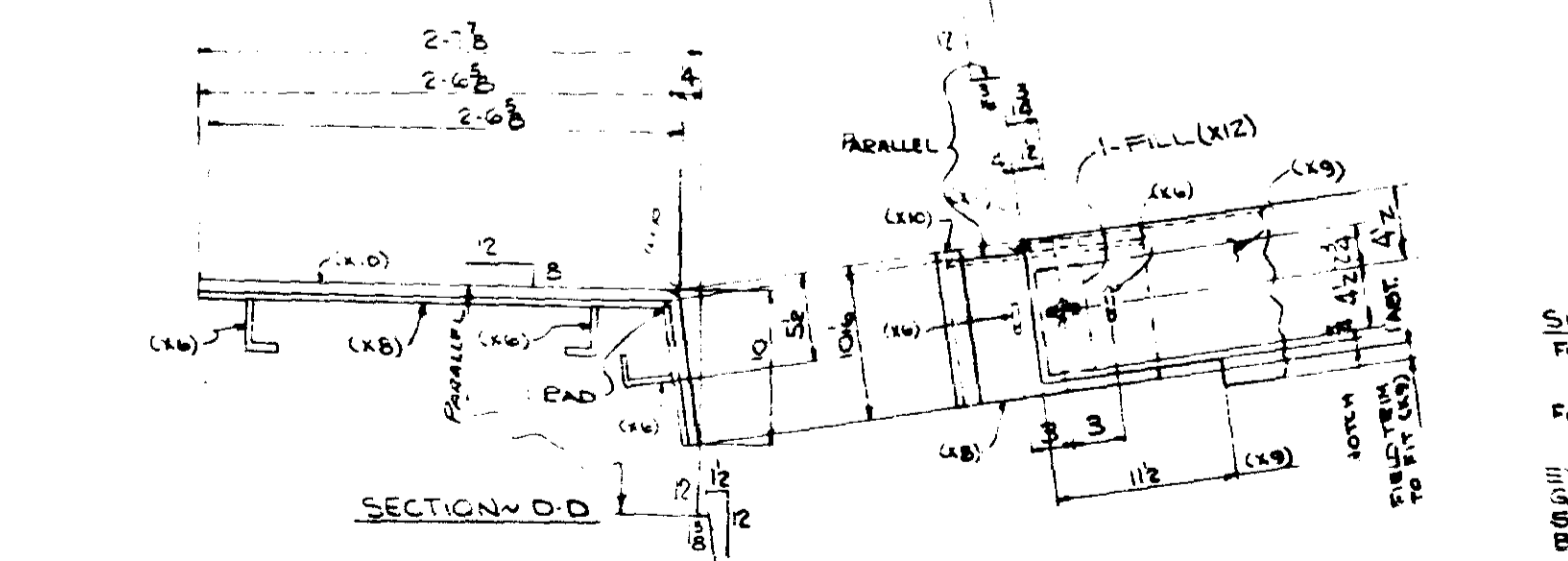
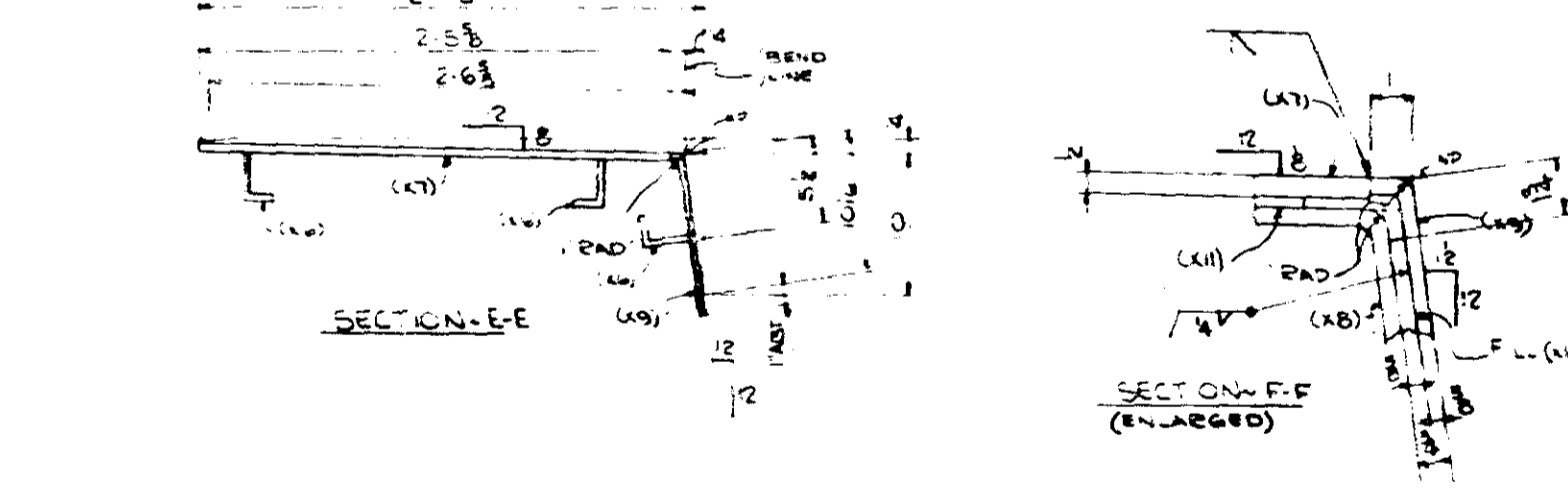
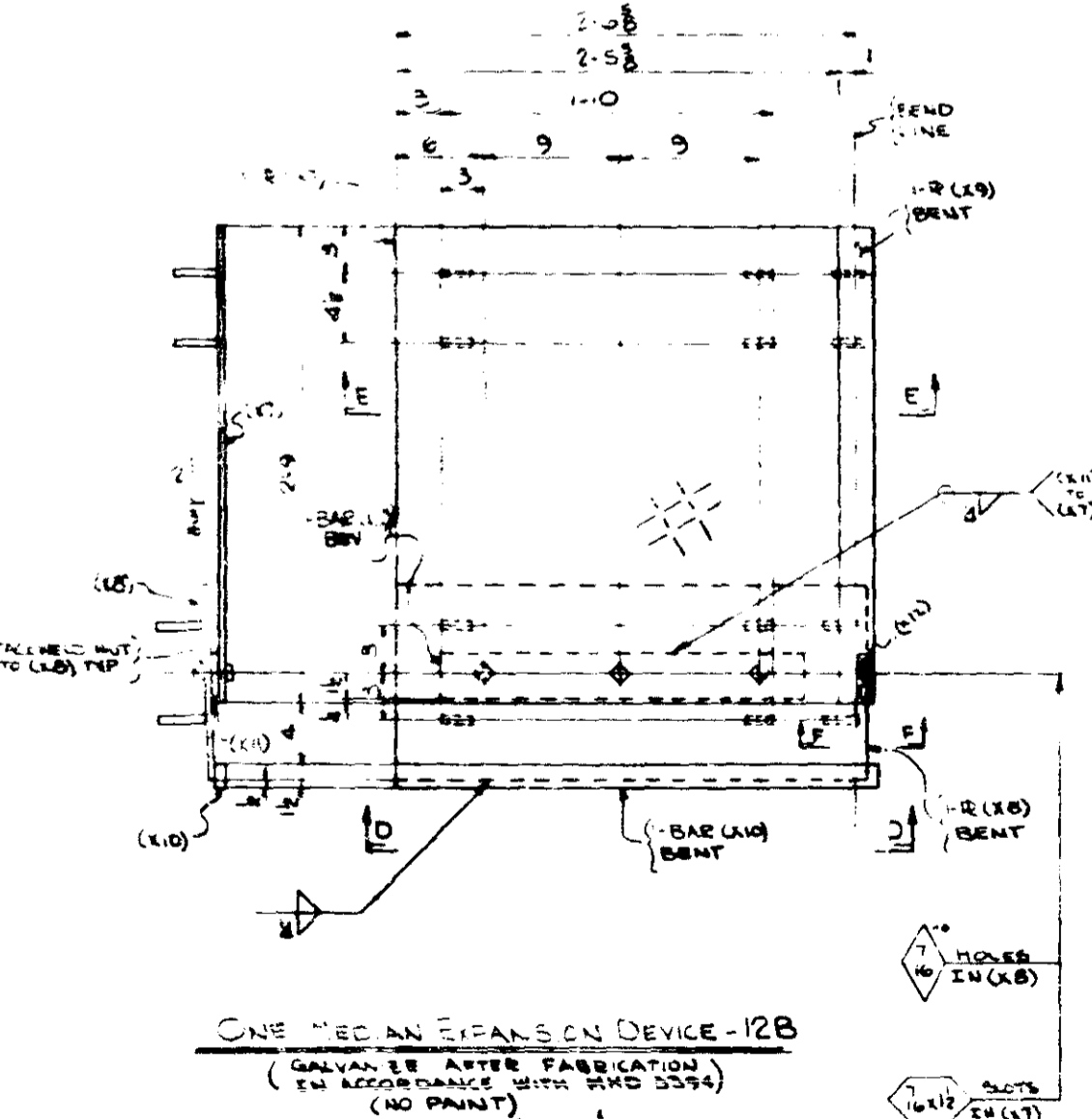
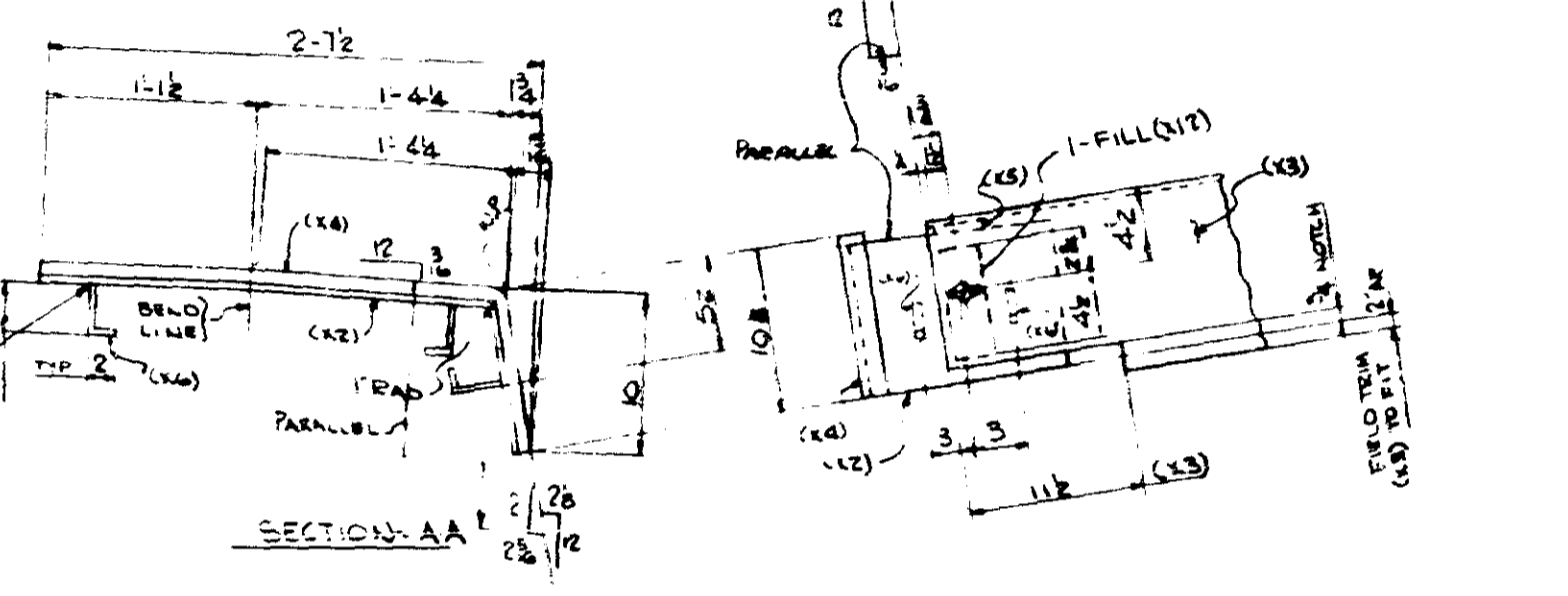
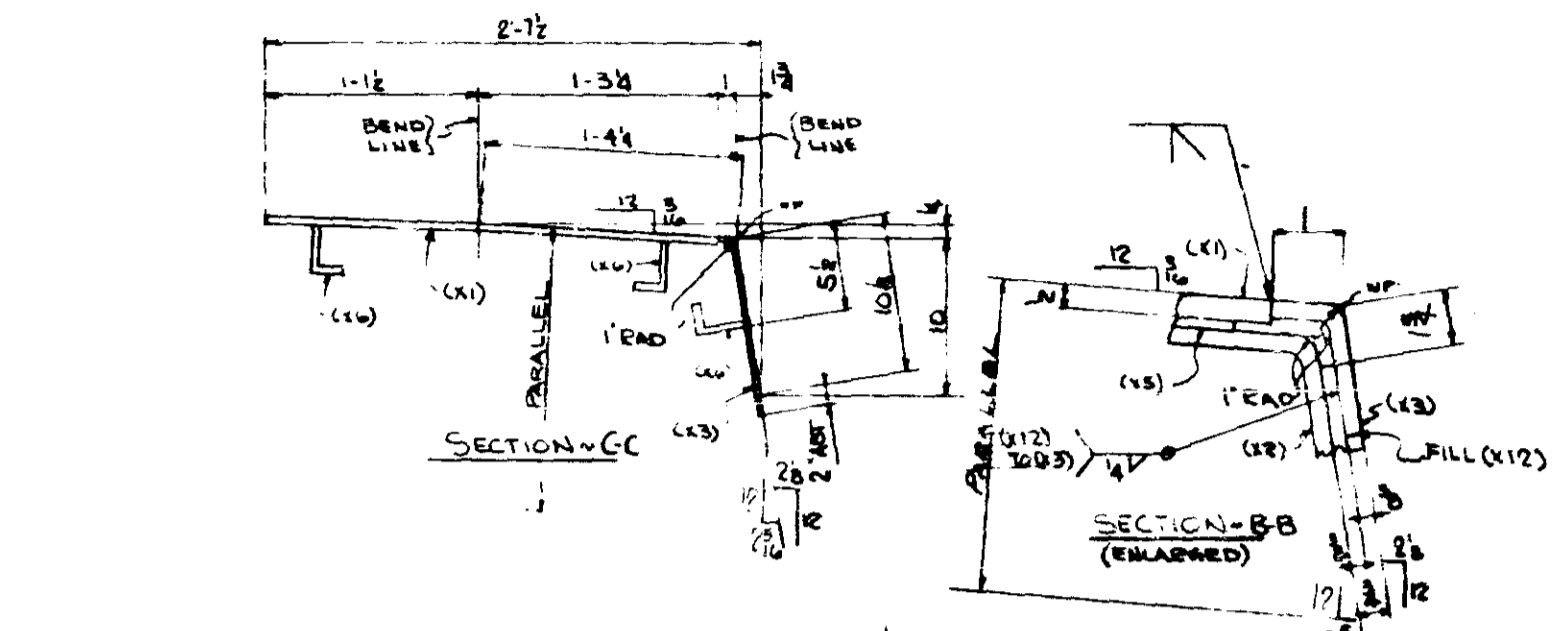
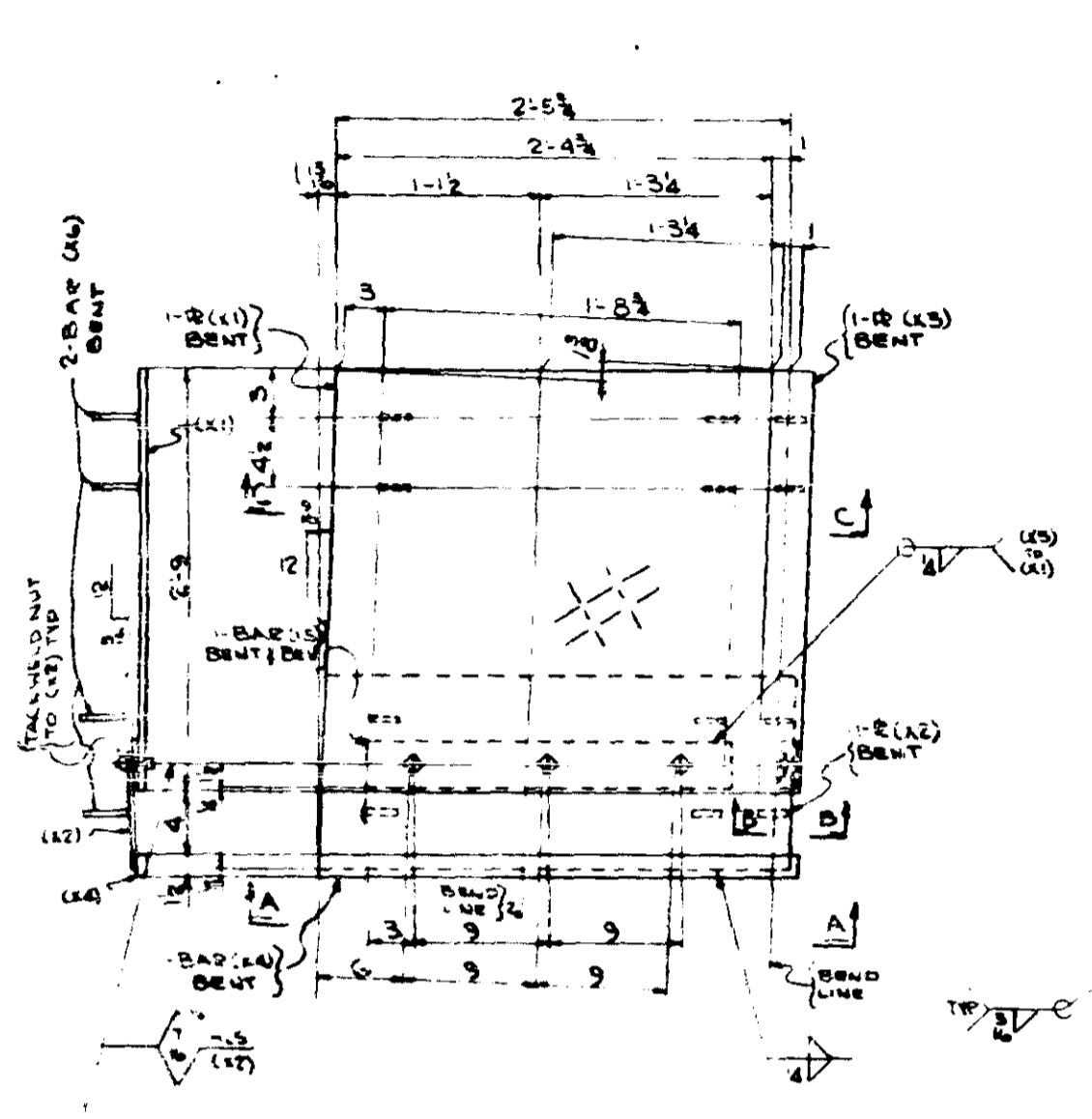
DETAILS OF: STRINGER SEATS
 STRUCTURE: BRIDGE NO 9340
 LOCATION: MINNEAPOLIS, MINNESOTA
 OWNER: MINNESOTA SH. HWY. DEPT.
 CUSTOMER: MINNESOTA T.H.WY. DEPT.

PAY ITEM 59 = 5005

CONTRACT 3142 FAB CODE 244 SHEET 8



LINE	SHIP	NO.	SHAPE	LENGTH	PC.	REMARKS	ITEM	BID	TOTAL	M.H.D.
	NO.	REQD			NO.		NO.	ITEM	WEIGHT	SPEC.
1										
2										
3										
4										
5	10A	ONE	CURB EXPANSION DEVICE							
6	10A	ONE	DO							
7										
8										
9	2	CHKD R	45x2	2	5/4	X12	BENT	89	NC	330W
10	2	R	18x3	3	22	X12	BENT	89		
11	2	R	4							



SHOP NOTE
 FOR GEN NOTES SEE
 SMT. GN-1
 FOR MATL SPECS SEE
 BILL OF MATL
 EXPAN. DEVICES TO BE
 GALVANIZED UN-ASSEMBLED
 SHOP INSPECTION BY MHD
 BEFORE AND AFTER GALVANIZING

NO	QTY	NO	SHAPE	LENGTH	PC	REMARKS	ITEM	BID	TOTAL	UNIT
1										
2										
3										
4										
5	12A	ONE	CURB EXPANSION DEVICE							
6										
7	1	CHD	R 33x4	2 1/2	K1	BENT	BAI1	90	NC	3306
8	1	R	12x4	3 2/4	K2	BENT	BAI2			
9	1	R	33x4	1 0/8	K3	BENT	BAI3			
10	1	BAR	1x4	3 3/8	K4	BENT	BAI4			
11	1	BAR	3x4	2 0	K5	BENT	BAI5			
12	12	BAR	2x2	0 5/8	K6	BENT	BAI6	90		3306
13	1	BAR	3x3	0 7/8	K7	BENT	BAI7	90		3306
14										
15	3	3"	MBC	0 2						
16	1	3"	MBC	0 1/2						
17	1	3"	MBC	2 0						
18	1	4"	MBC	11 4						
19										
20										
21										
22										
23										
24										
25	12B	ONE	MEDIAN EXPANSION DEVICE							
26										
27	1	CHD	R 33x4	2 5/8	K1	BENT	BAI1	90		3306
28	1	R	12x4	3 3/8	K2	BENT	BAI2			
29	1	R	33x4	0 11/8	K3	BENT	BAI3			
30	1	BAR	1x4	3 3/8	K4	BENT	BAI4			
31	1	BAR	3x4	2 0	K5	BENT	BAI5			
32	12	BAR	2x2	0 5/8	K6	BENT	BAI6	90		3306
33	1	BAR	3x3	0 7/8	K7	BENT	BAI7	90		3306
34	3	3"	MBC	0 2						
35	1	3"	MBC	0 1/2						
36	1	3"	MBC	2 0						
37	1	4"	MBC	11 5						
38										
39										
40										
41										
42										
43										
44										
45										
46										
47										
48										
49										
50										
51										
52										
53										
54										
55										
56										
57										
58										
59										
60										
61										
62										
63										
64										
65										
66										
67										
68										
69										
70										
71										

MINN. PROJ. NO. 11435W-3(58)112
 STATE PROJ. NO. 2783-9340B(1135W-394)

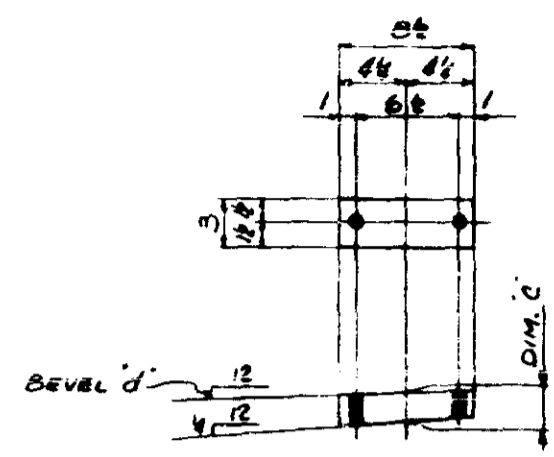
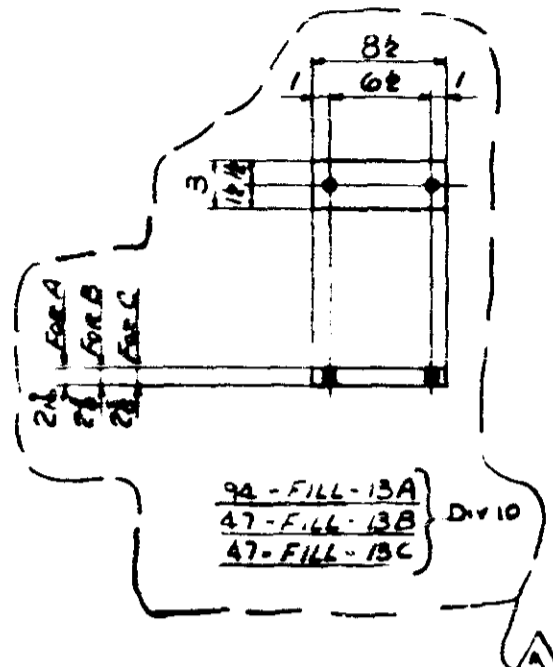
HAMMOND FAB. DIVISION 14

DETAILS OF CURB & MEDIAN EXPANSION DEVICES @ PILE B

STRUCTURE: BRIDGE NO. 9340
 LOCATION: MINNEAPOLIS, MINNESOTA
 OWNER: MINNESOTA STATE HWY. DEPT.
 CUSTOMER: MINNESOTA STATE HWY. DEPT.

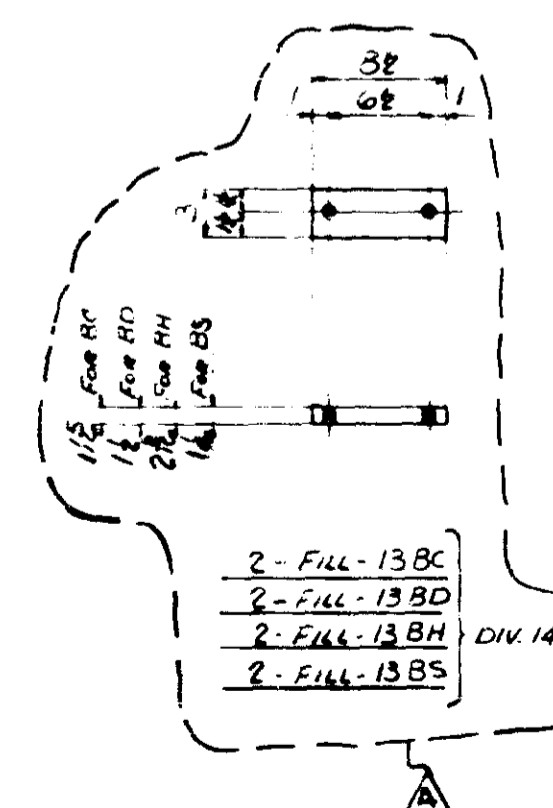
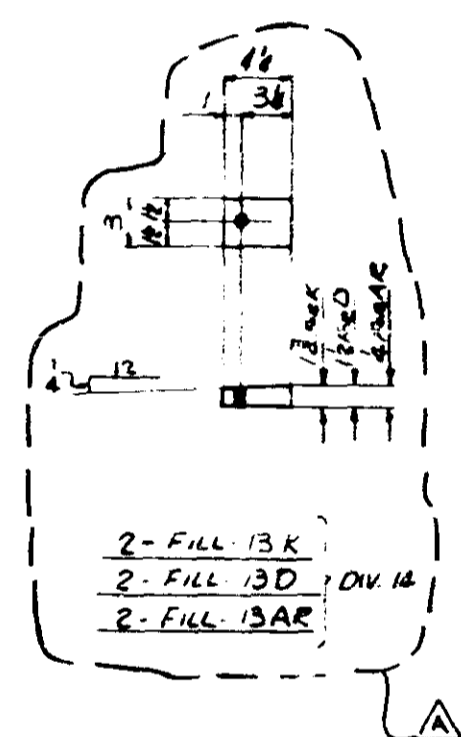
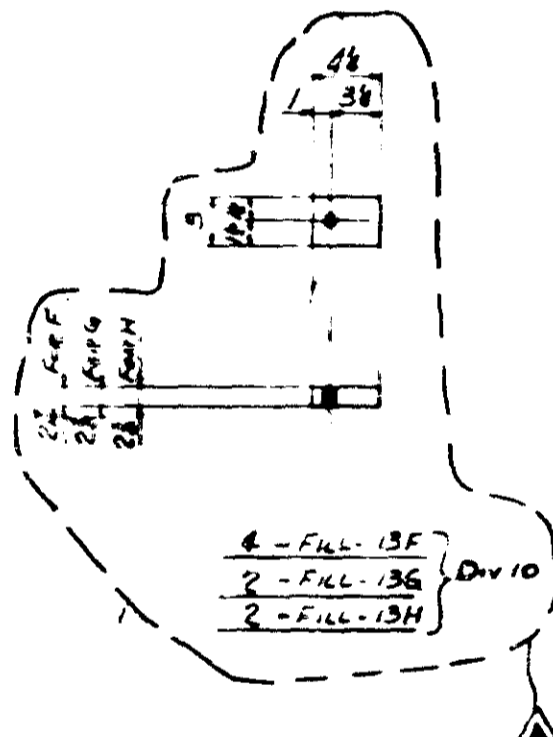
CONTRACT 3142 FAB. CODE 904 SHEET 12

REVISIONS: 11/19/66



FILLS - SEE TABLE C (DIV. 10)

NO.	SH.	QTY	REMARKS
6	13CP	1/2	1/2
6	13CT	1/2	1/2
2	13CV	1/2	1/2
2	13W	1/2	1/2
2	13DA	1/2	1/2
2	13DB	1/2	1/2
2	13DC	1/2	1/2
2	13DD	1/2	1/2
2	13DF	1/2	1/2
2	13DG	1/2	1/2
2	13DH	1/2	1/2
4	13DS	1/2	1/2
2	13DT	1/2	1/2
2	13DV	1/2	1/2



DIV.	NO.	QTY	SHAPE	LENGTH	REMARKS	TOTAL WEIGHT
10	14	2	FILL			
10	15	2	BAR 3 x 1/2	0 8 1/2	BEV 2 Sides	59
10	16	2	FILL			10
10	17	2	BAR 3 x 1/2	0 8 1/2	BEV 2 Sides	60
10	18	2	FILL			7
10	19	2	BAR 3 x 1/2	0 8 1/2	BEV 2 Sides	7
10	20	2	FILL			5
10	21	2	BAR 3 x 1/2	0 8 1/2	BEV 2 Sides	28
10	22	4	FILL			34
10	23	2	BAR 3 x 1/2	0 8 1/2	BEV 2 Sides	15
10	24	2	FILL			12
10	25	2	BAR 3 x 1/2	0 8 1/2	BEV 2 Sides	3300

DIV.	NO.	QTY	SHAPE	LENGTH	REMARKS	TOTAL WEIGHT
10	26	2	FILL			
10	27	2	BAR 3 x 2 1/2	0 8 1/2		1740
10	28	2	FILL			
10	29	2	BAR 3 x 2 1/2	0 8 1/2		807
10	30	2	FILL			
10	31	2	BAR 3 x 2 1/2	0 8 1/2		892
10	32	2	FILL			
10	33	2	BAR 3 x 2 1/2	0 8 1/2		
10	34	2	FILL			
10	35	2	BAR 3 x 2 1/2	0 8 1/2		37
10	36	2	FILL			
10	37	2	BAR 3 x 2 1/2	0 8 1/2		17
10	38	2	FILL			
10	39	2	BAR 3 x 2 1/2	0 8 1/2		19
10	40	2	FILL			
10	41	2	BAR 3 x 2 1/2	0 8 1/2	BEV 1 Side	13
10	42	2	FILL			
10	43	2	BAR 3 x 1 1/2	0 8 1/2	BEV 1 Side	11
10	44	2	FILL			
10	45	2	BAR 3 x 1 1/2	0 8 1/2	BEV 1 Side	2
10	46	2	FILL			
10	47	2	BAR 3 x 1 1/2	0 8 1/2		28
10	48	2	FILL			
10	49	2	BAR 3 x 1 1/2	0 8 1/2		22
10	50	2	FILL			
10	51	2	BAR 3 x 2 1/2	0 8 1/2		32
10	52	2	FILL			
10	53	2	BAR 3 x 1 1/2	0 8 1/2		18
10	54	2	FILL			
10	55	2	BAR 3 x 1 1/2	0 8 1/2	BEV 2 Sides	60
10	56	2	FILL			
10	57	2	BAR 3 x 1 1/2	0 8 1/2	BEV 2 Sides	70
10	58	2	FILL			
10	59	2	BAR 3 x 1 1/2	0 8 1/2	BEV 2 Sides	23
10	60	2	FILL			
10	61	2	BAR 3 x 1 1/2	0 8 1/2	BEV 2 Sides	19
10	62	2	FILL			
10	63	2	BAR 3 x 1 1/2	0 8 1/2	BEV 2 Sides	9
10	64	2	FILL			
10	65	2	BAR 3 x 1 1/2	0 8 1/2	BEV 2 Sides	21
10	66	2	FILL			
10	67	2	BAR 3 x 1 1/2	0 8 1/2	BEV 2 Sides	59
10	68	2	FILL			
10	69	2	BAR 3 x 1 1/2	0 8 1/2	BEV 2 Sides	13
10	70	2	FILL			
10	71	2	BAR 3 x 1 1/2	0 8 1/2	BEV 2 Sides	3300

PAY ITEM 59 = 3970

SHOP NOTE
FOR GENERAL NOTES SEE SH. GNI
FOR MAT'L SPECS SEE B/MATL

MINN. PROJ. NO. I-1635W-3(5B)112
STATE PROJ. NO. 2783-9340B(IN35W-394)

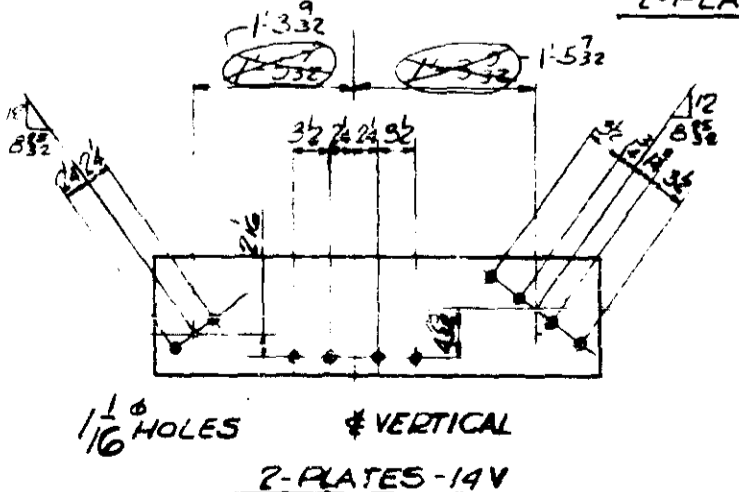
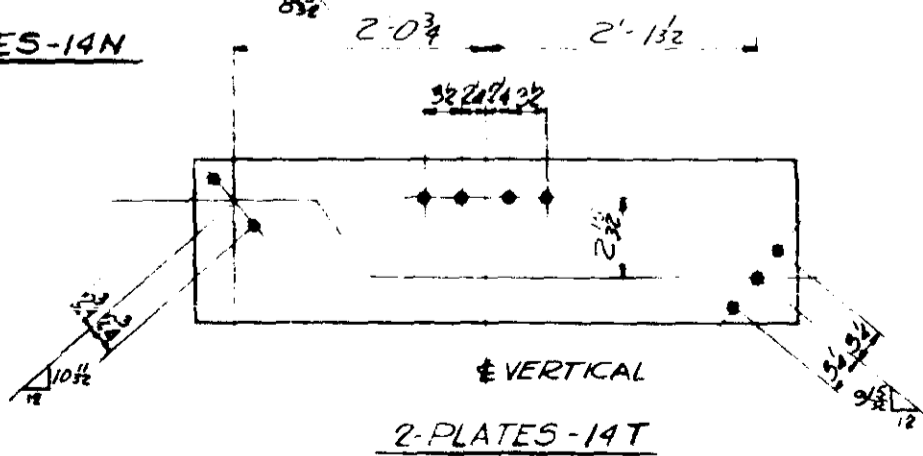
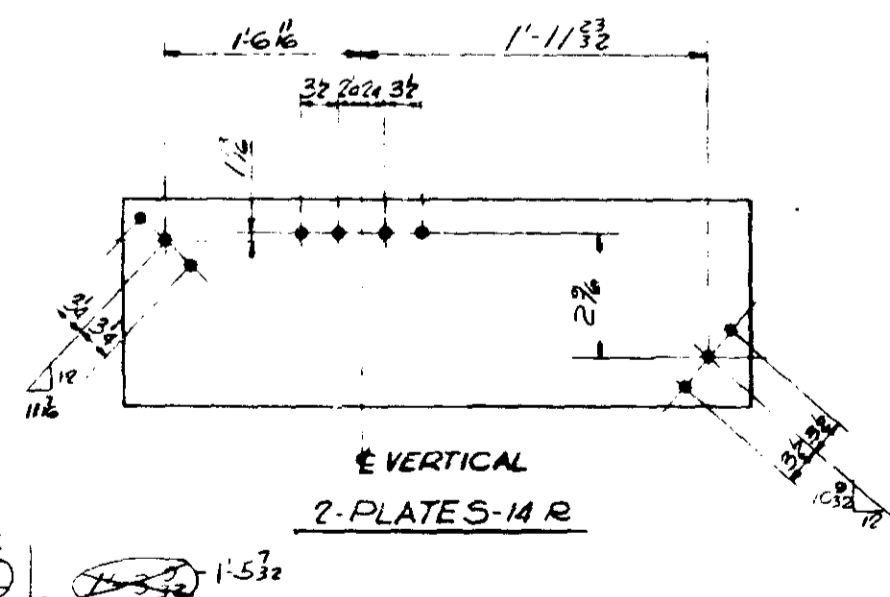
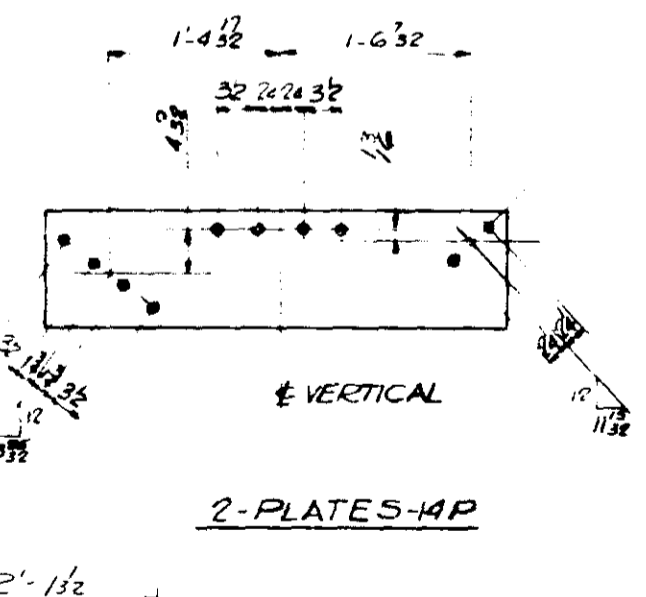
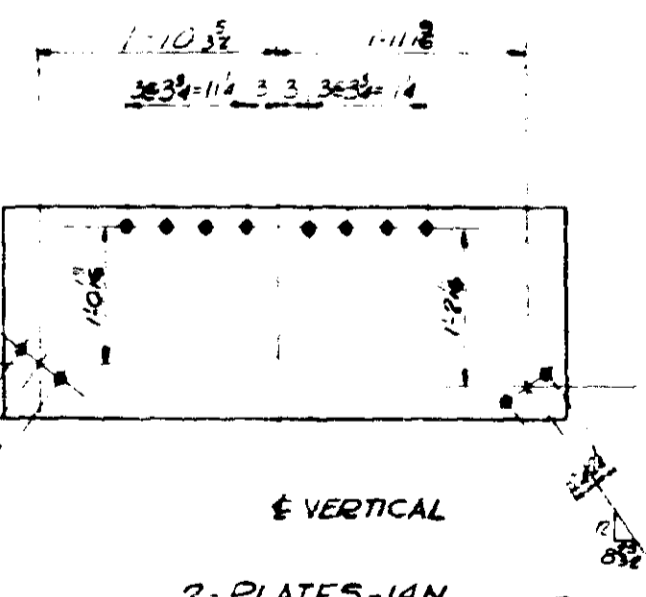
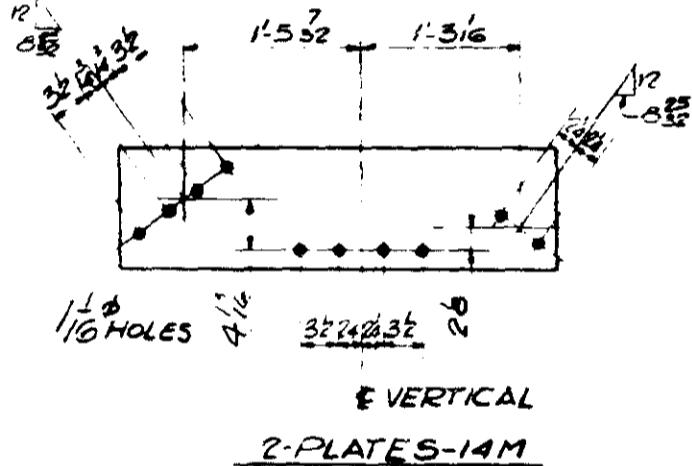
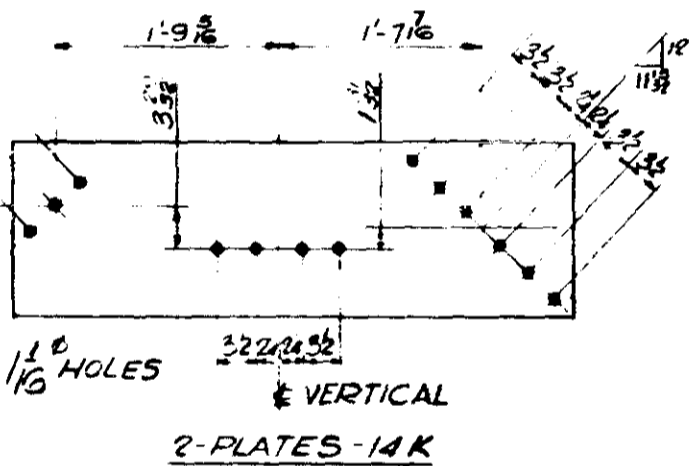
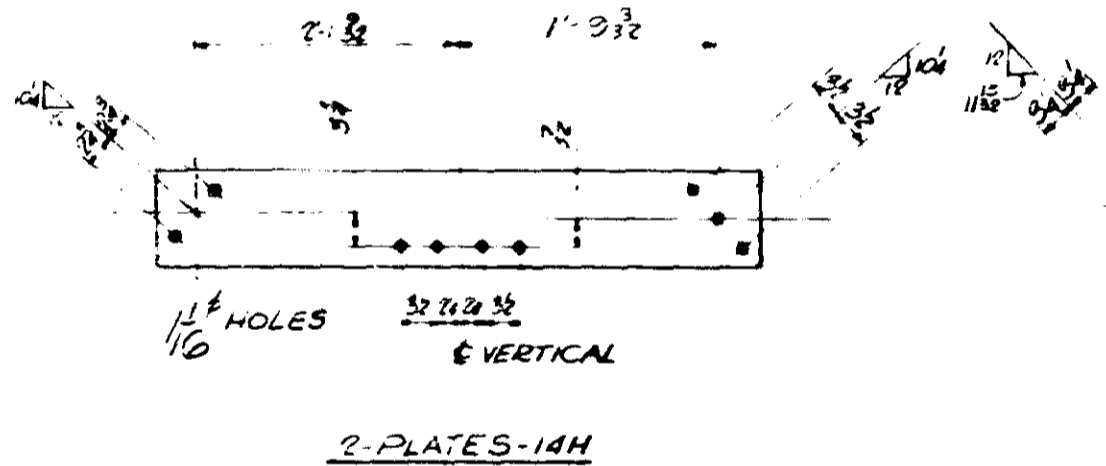
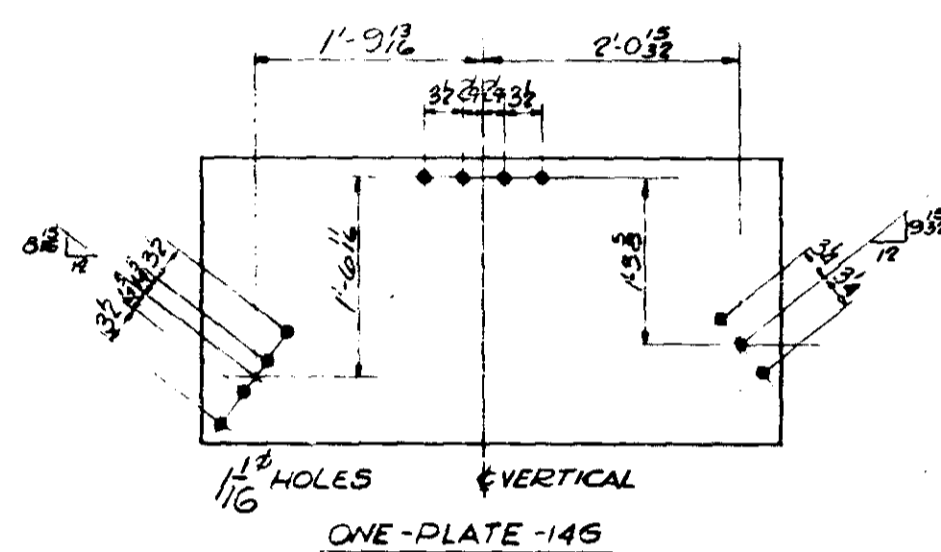
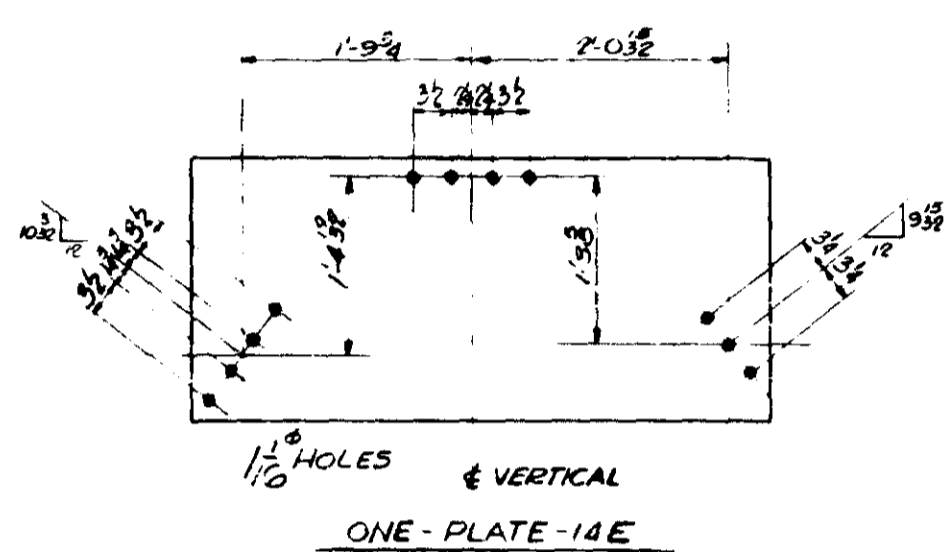
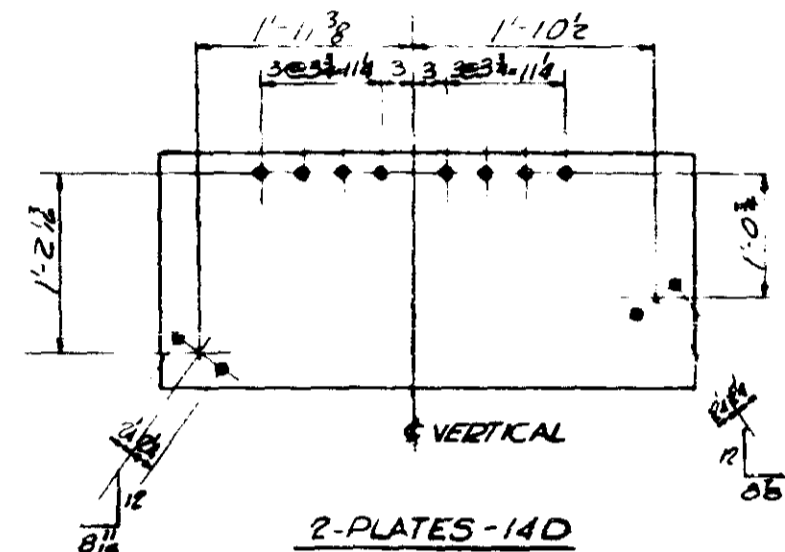
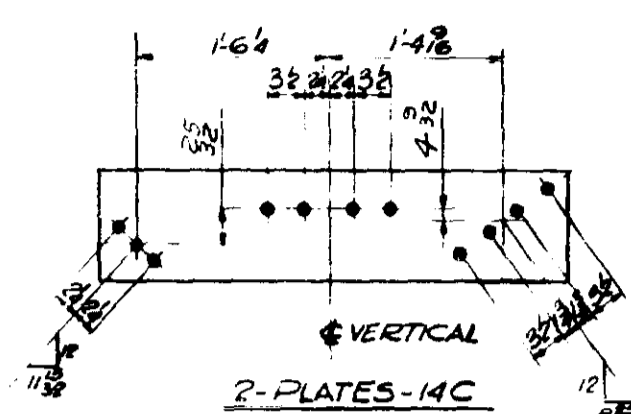
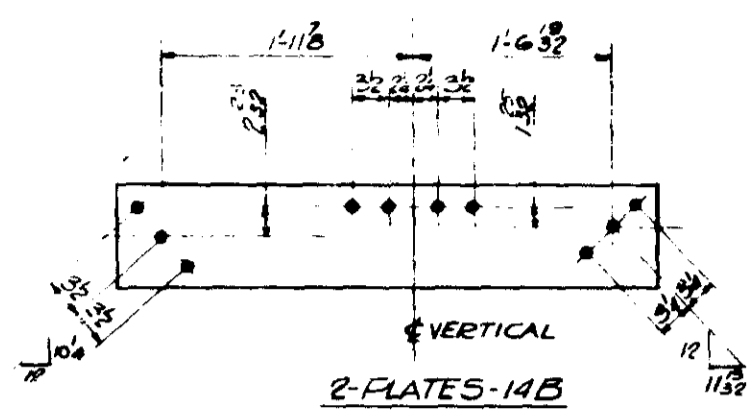
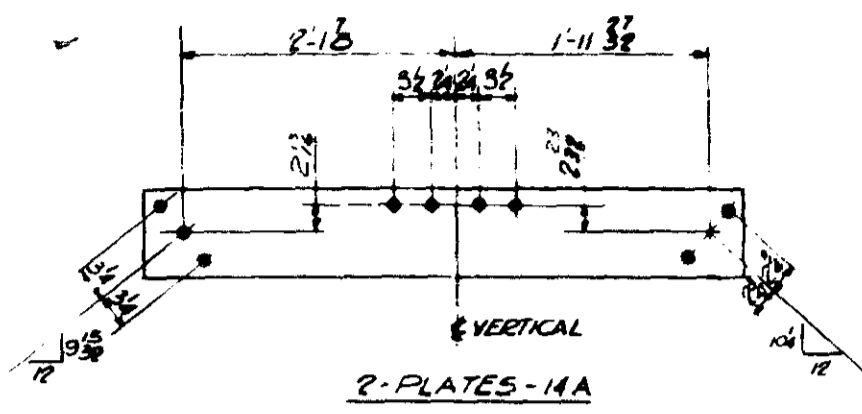
OPEN HOLES 1/8" RIVETS & BOLTS ~ PAINT 1-CY. RED LEAD
DRAWN BY: [Signature] DATE: 3-18-66 CHECKED BY: H.M.H. DATE: 5-17-66

ALLIED STRUCTURAL STEEL COMPANY
ENGINEERS FABRICATORS ERECTORS
1425 15TH STREET S.W. MINNEAPOLIS, MINN. 55404

DETAILS OF: FILLS @ 10' & 140'
STRUCTURE: BRIDGE # 9340
LOCATION: MINNEAPOLIS MINNESOTA
OWNER: MINNESOTA STATE HIGHWAY DEPT.
CUSTOMER: MINNESOTA STATE HIGHWAY DEPT.

CONTRACT 3142 FABCOD 904 SHEET 13

REF. DRWG. E17 REVISIONS: [Diagrams]



DO NOT SHIP FROM THIS SHEET ALL PLATES ARE TO BE USED FOR SHOP TRUSS ASSEMBLY

NO	SHIP NO	NO REQ	SHAPE	LENGTH	PC MK	REMARKS	ITEM NO	WT. I.P.C.	TOTAL WEIGHT	NO NO
1	14A	?	PLATES							
2		?	R 3 1/2 x 3/8	4 9						NC
3										
4	14B	?	PLATES							
5		?	R 9 x 3/8	4 2 1/2						
6										
7	14C	?	PLATES							
8		?	R 11 x 3/8	3 8						
9										
10	14D	?	PLATES							
11		?	R 21 x 3/8	4 5						
12										
13	14E	1	PLATE			WEST TRUSS				
14		1	R 2 1/2 x 3/8	4 7						
15										
16	14G	1	PLATE			EAST TRUSS				
17		1	R 2 1/2 x 3/8	4 7 1/2						
18										
19	14H	?	PLATES							
20		?	R 9 x 3/8	4 6						
21										
22	14K	?	PLATES							
23		?	R 1 1/4 x 3/8	4 5 1/2						
24										
25	14M	?	PLATES							
26		?	R 1 1/2 x 3/8	3 5 1/2						
27										
28	14N	?	PLATES							
29		?	R 1 1/2 x 3/8	4 5 1/2						
30										
31	14P	?	PLATES							
32		?	R 1 1/4 x 3/8	3 8						
33										
34	14R	?	PLATES							
35		?	R 9 1/4 x 3/8	4 2 1/2						
36										
37	14T	?	PLATES							
38		?	R 1 1/4 x 3/8	4 9 1/2						
39										
40	14V	?	PLATES							
41		?	R 1 1/2 x 3/8	3 6 1/2						
42										
43										
44										
45										
46										
47										
48										
49										
50										
51										
52										
53										
54										
55										
56										
57										
58										
59										
60										
61										
62										
63										
64										
65										
66										
67										
68										
69										
70										
71										

ALL MATERIAL FROM STOCK

NOTE:
ALL EDGE DIST. 1 1/4" ABS.

MINN. PROJ. NO. I-16 95 W-3 (58) 112
STATE PROJ. NO. 2783-9540 B (71 95 W-394)

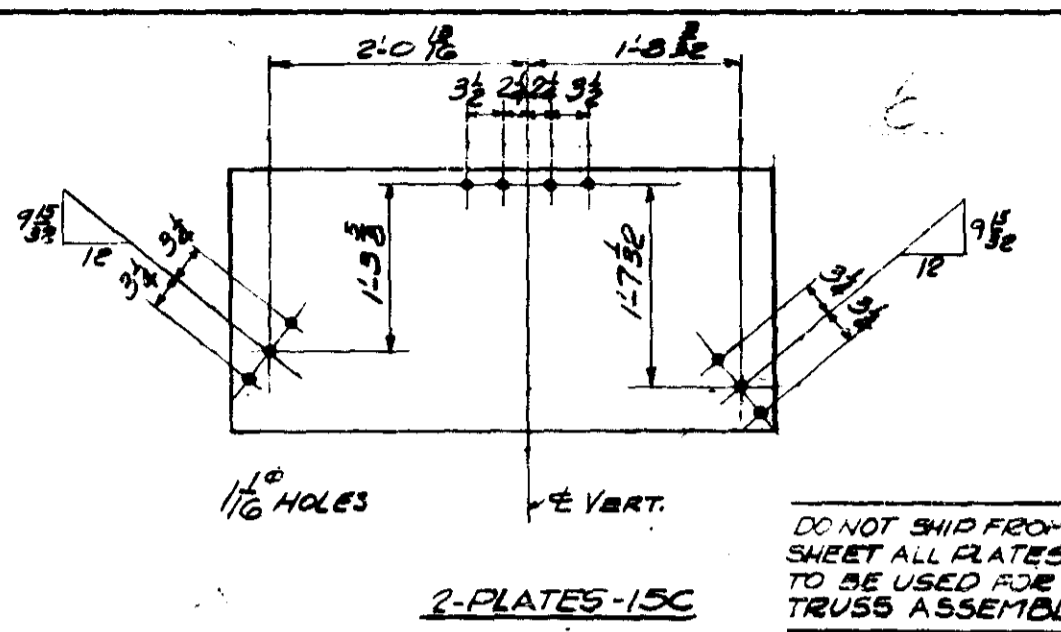
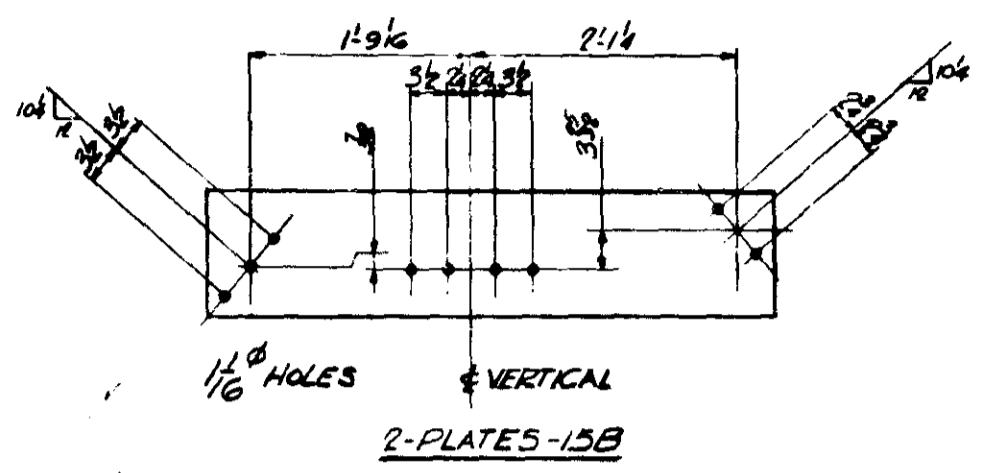
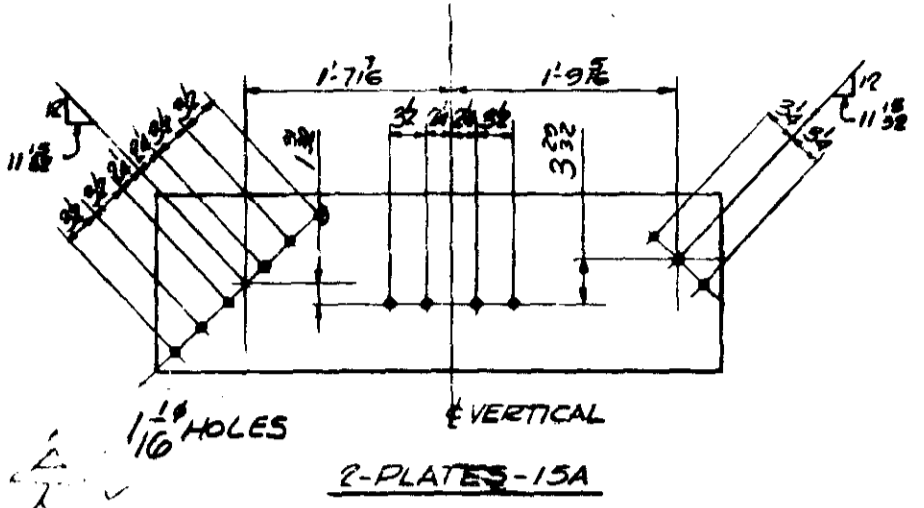
OPEN HOLES: 1/2" UN. RIVETS & BOLTS PAINT
DRAWN BY: [Signature] DATE: 3-23-66 CHECKED BY: [Signature] DATE: 5/16/66

REVISIONS: [Diagrams] 5-9-67 5-6-67 13C 4-27-67

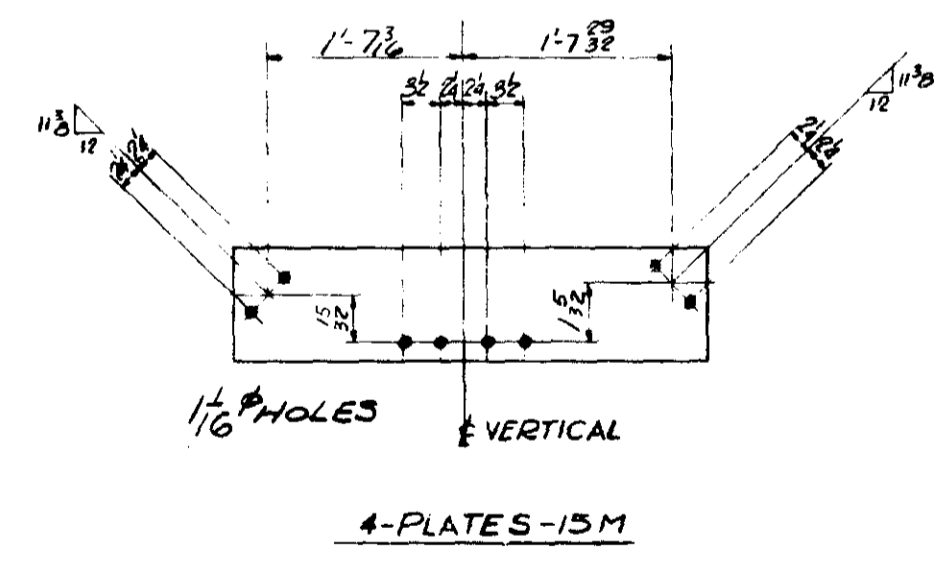
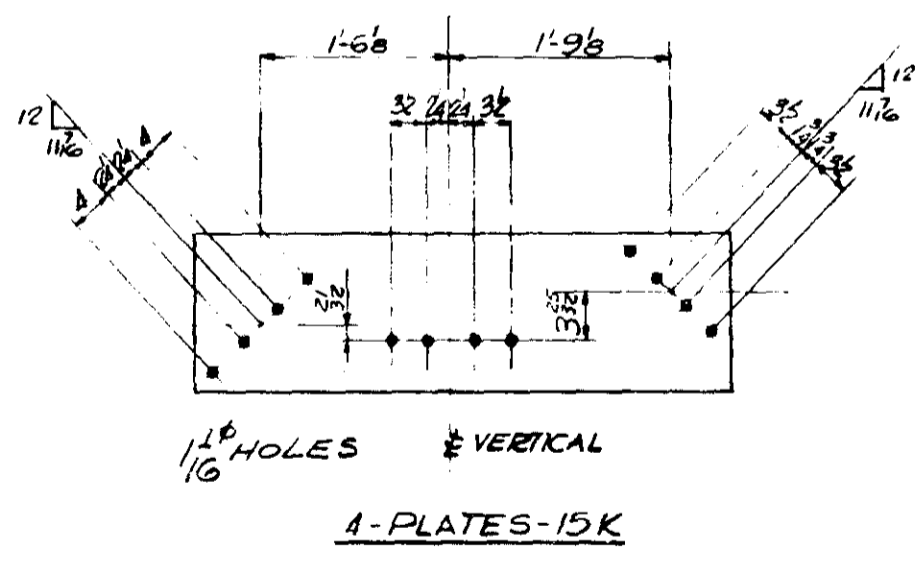
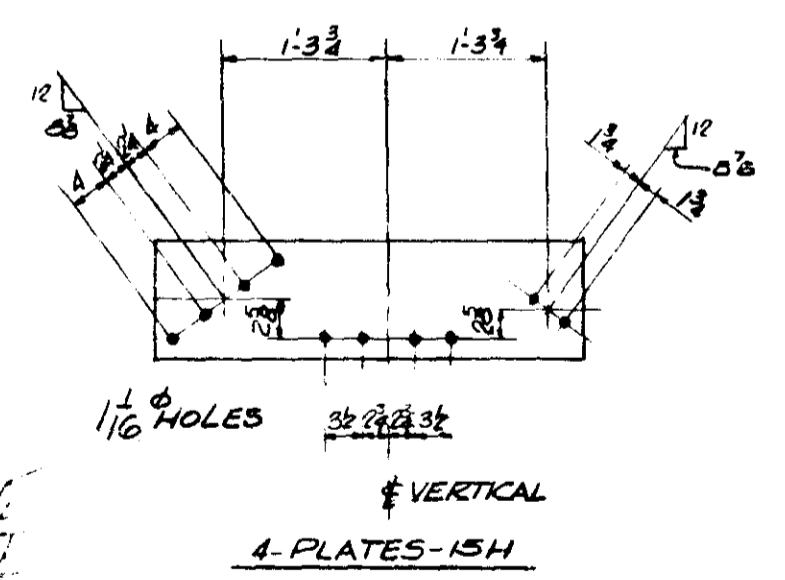
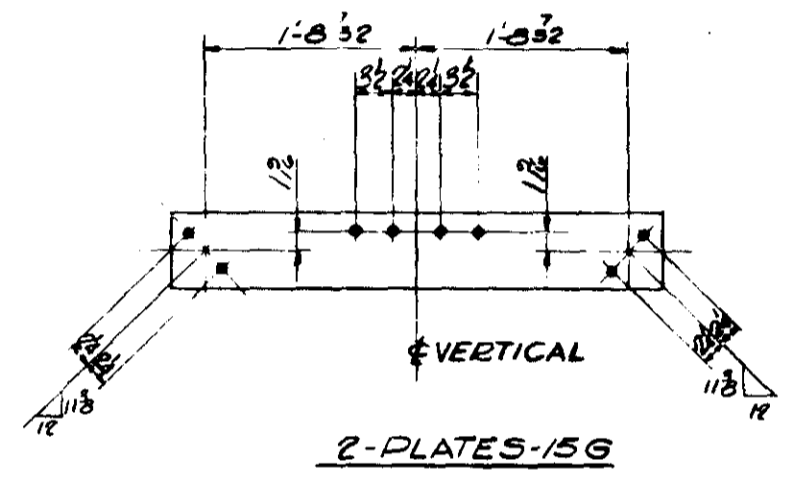
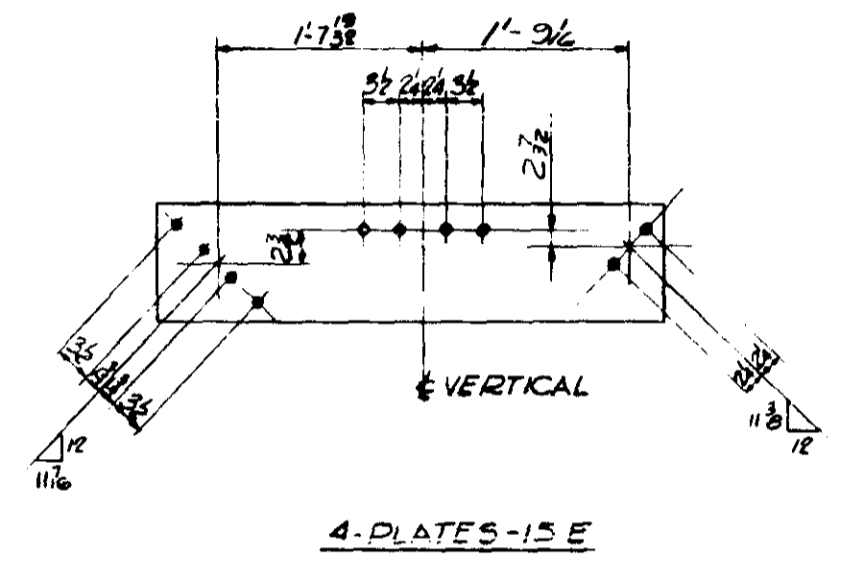
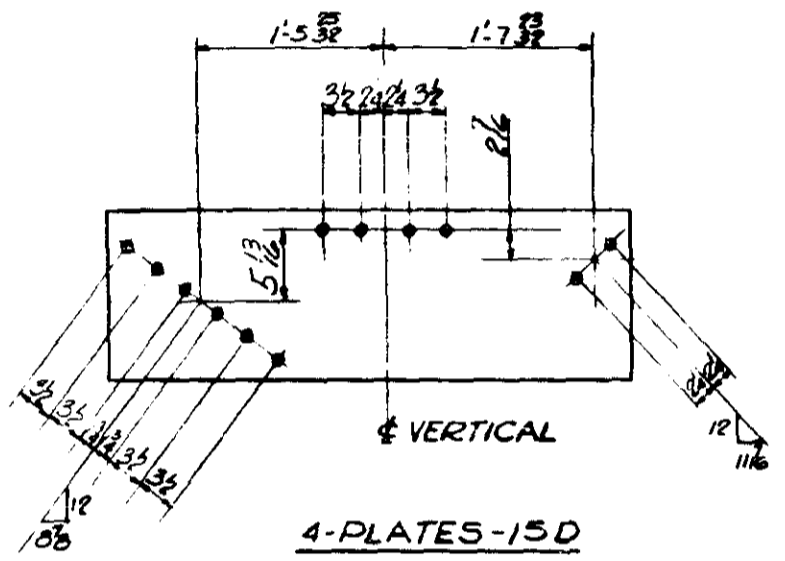
ALLIED STRUCTURAL STEEL COMPANY
ENGINEERS, FABRICATORS, ERECTORS
1225 15TH STREET, HAMBURG, INDIANA 46048

DETAILS OF: PLATES FOR SHOP ASSEMBLY BEAMING
STRUCTURE: BRIDGE NO. 9340
LOCATION: MINNEAPOLIS, MINN.
OWNER: MINNESOTA STATE HWY DEPT.
CUSTOMER: MINNESOTA STATE HWY DEPT.

CONTRACT 3142 FABCOO SHEET 14



DO NOT SHIP FROM THIS SHEET ALL PLATES ARE TO BE USED FOR SHOP TRUSS ASSEMBLY



ITEM NO.	SHIP NO.	NO. REQD.	SHAPE	LENGTH	PC. WK.	REMARKS	ITEM NO.	WT. 1-PC.	TOTAL WEIGHT	M.D. NO.
1										
2	15A	2	PLATES							
3		2	R 16 1/2 x 3/8	4 5/2					NC	
4										
5	15B	2	PLATES							
6		2	R 11 x 3/8	4 6						
7										
8	15C	2	PLATES							
9		2	R 25 x 3/8	4 3/2						
10										
11	15D	4	PLATES							
12		4	R 14 1/2 x 3/8	4 1/2						
13										
14	15E	4	PLATES							
15		4	R 11 x 3/8	4 2 1/2						
16										
17	15G	2	PLATES							
18		2	R 7 x 3/8	3 11						
19										
20	15H	4	PLATES							
21		4	R 10 x 3/8	3 5 1/2						
22										
23	15K	4	PLATES							
24		4	R 14 3/4 x 3/8	4 3						
25										
26	15M	4	PLATES							
27		4	R 7 x 3/8	3 9 1/2						
28										
29										
30										
31										
32										
33										
34										
35										
36										
37										
38										
39										
40										
41										
42										
43										
44										
45										
46										
47										
48										
49										
50										
51										
52										
53										
54										
55										
56										
57										
58										
59										
60										
61										
62										
63										
64										
65										
66										
67										
68										
69										
70										
71										

ALL MATERIAL FROM STOCK

MICRO FILMED

NOTES:
 ALL EDGE DIST. 1 3/4 ABT.

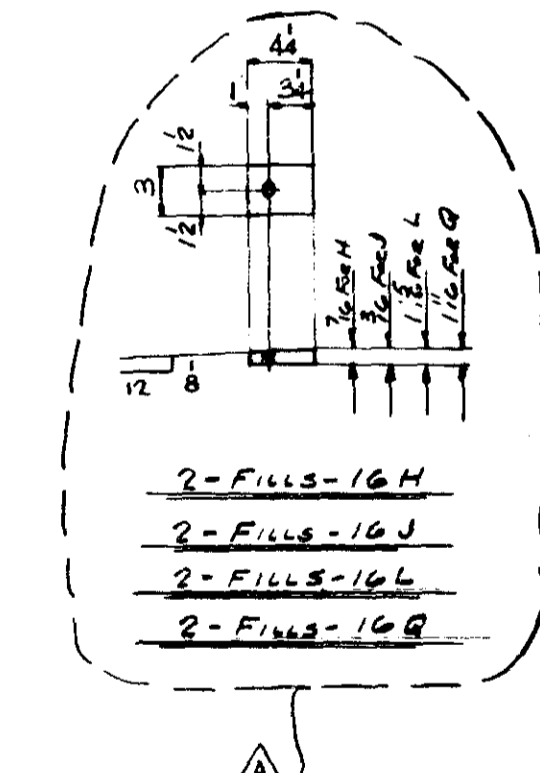
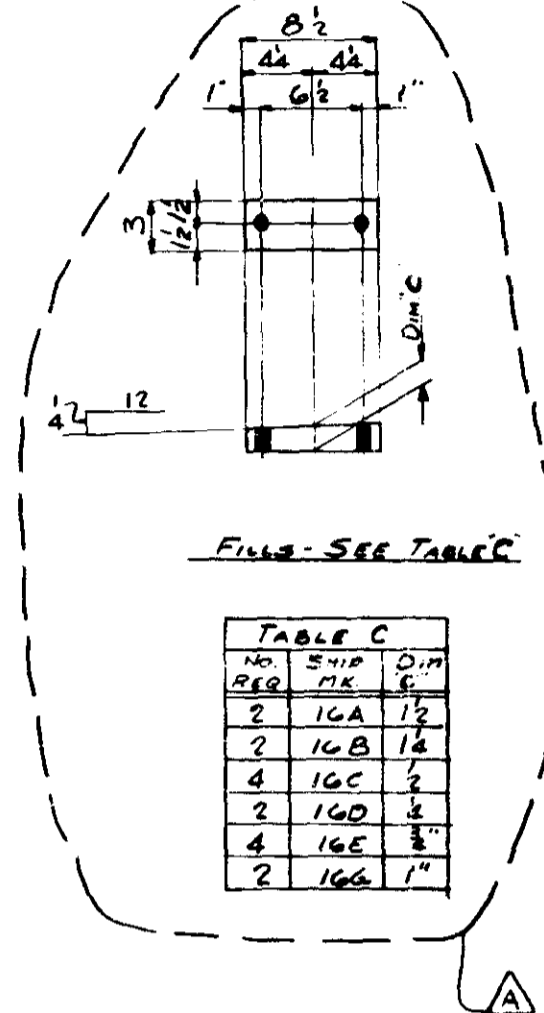
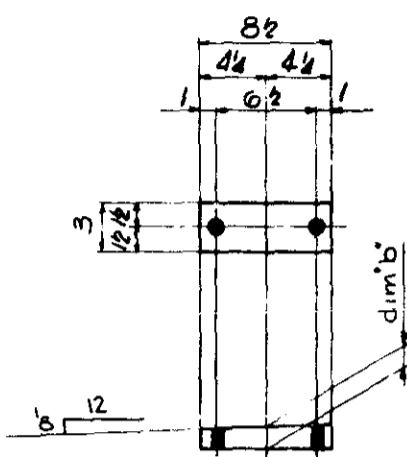
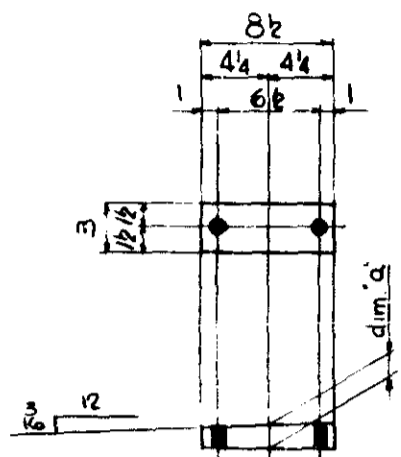
MINN. PROT NO I-16 55 W-9(58) 112
 STATE PROT NR 2783-9340 B(TN35W-294)

OPEN HOLES	1/16 UN	RIVETS & BOLTS		PAIN	
DRAWN BY		DATE	3-24-66	CHECKED BY	FE
					DATE
REVISIONS	3-9-67	3-6-67	4-19-67		
	87c	87c	87c		

ALLIED STRUCTURAL STEEL COMPANY
 ENGINEERS FABRICATORS ERECTORS
 1425 15TH STREET HARMON INDIANA 46020

DETAILS OF PLATES FOR SHOP ASSEMBLY REAMING
 STRUCTURE BRIDGE NO. 8340
 LOCATION MINNEAPOLIS, MINNESOTA
 OWNER MINNESOTA STATE HWY DEPT.
 CUSTOMER MINNESOTA STATE HWY DEPT.

CONTRACT 3142 FABCOD SHEET 15



FILLS - SEE TABLE A

FILLS - SEE TABLE B

FILLS - SEE TABLE C

NO. REQD	SHIP MK	DIM
8	10M	8
10	10N	8
2	10P	2
10	10R	10
4	10S	4
12	10T	12
2	10V	2
10	10W	10
4	10AA	4
12	10AB	12
4	10CC	4
2	10CB	2

NO. REQD	SHIP MK	DIM
14	10AM	14
12	10AN	12
12	10AP	12
18	10AT	18
18	10AV	18
24	10AW	24
22	10BA	22
22	10BB	22
16	10BF	16
6	10BG	6
4	10BK	4
2	10AD	2
4	10AF	4
6	10AG	6
10	10AH	10
12	10AK	12

NO. REQD	SHIP MK	DIM
2	10A	2
2	10B	2
4	10C	4
2	10D	2
4	10E	4
2	10G	2

LINE NO.	SHIP MK	NO. REQD	SHAPE	LENGTH	PC. MK	REMARKS	ITEM NO.	BID ITEM	TOTAL WEIGHT	M.H.D. SPEC.
12	10AD	2	FILL					59		3306
13	10A	2	BAR 3 x 1/4	0	8 1/2	BEV. 1 side	765		5	
14	10AF	4	FILL							
15	10A	4	BAR 3 x 1/4	0	8 1/2	BEV. 1 side	766		13	
16	10AG	6	FILL							
17	10A	6	BAR 3 x 1/4	0	8 1/2	BEV. 1 side	768		24	
18	10AH	10	FILL							
19	10A	10	BAR 3 x 1/4	0	8 1/2	BEV. 1 side	769		50	
20	10AK	12	FILL							3306
21	10A	12	BAR 3 x 1/4	0	8 1/2	BEV. 1 side	771		70	

LINE NO.	SHIP MK	NO. REQD	SHAPE	LENGTH	PC. MK	REMARKS	ITEM NO.	BID ITEM	TOTAL WEIGHT	M.H.D. SPEC.
1	10M	8	FILL							3306
2	10B	2	BAR 3 x 1/4	0	8 1/2	BEV. 1 side	764		11	
3	10N	10	FILL							
4	10N	10	BAR 3 x 1/4	0	8 1/2	BEV. 1 side	765		23	
5	10P	2	FILL							
6	10P	2	BAR 3 x 1/4	0	8 1/2	BEV. 1 side	767		8	
7										
8										
9	10R	10	FILL							
10	10R	10	BAR 3 x 1/4	0	8 1/2	BEV. 1 side	767		36	
11	10S	4	FILL							
12	10S	4	BAR 3 x 1/4	0	8 1/2	BEV. 1 side	768		27	
13	10T	12	FILL							
14	10T	12	BAR 3 x 1/4	0	8 1/2	BEV. 1 side	769		60	
15	10V	2	FILL							
16	10V	2	BAR 3 x 1/4	0	8 1/2	BEV. 1 side	770		22	
17	10W	10	FILL							
18	10W	10	BAR 3 x 1/4	0	8 1/2	BEV. 1 side	771		63	
19	10AA	4	FILL							
20	10AA	4	BAR 3 x 1/4	0	8 1/2	BEV. 1 side	772		40	
21	10AB	12	FILL							
22	10AB	12	BAR 3 x 1/4	0	8 1/2	BEV. 1 side	773		90	
23										
24	10M	2	FILLS							
25	2	BAR 3 x 1/2	0	4 1/2		BEV. 1 side	774		4	
26	10J	2	FILLS							
27	2	BAR 3 x 1/2	0	4 1/2		BEV. 1 side	775		2	
28	10L	2	FILLS							
29	2	BAR 3 x 1/2	0	4 1/2		BEV. 1 side	776		14	
30										
31	10CG	4	FILL							
32	4	BAR 3 x 1/2	0	8 1/2		BEV. 1 side	777		30	
33	10CB	2	FILL							
34	2	BAR 3 x 1/2	0	8 1/2		BEV. 1 side	778		21	
35	10G	2	FILLS							
36	2	BAR 3 x 1/2	0	4 1/2		BEV. 1 side	779		3	
37										
38	10AM	14	FILL							
39	14	BAR 3 x 1	0	8 1/2		BEV. 1 side	780		101	
40	10AN	12	FILL							
41	12	BAR 3 x 1 1/2	0	8 1/2		BEV. 1 side	781		90	
42	10AP	14	FILL							
43	14	BAR 3 x 1 1/2	0	8 1/2		BEV. 1 side	782		26	
44	10AT	18	FILL							
45	18	BAR 3 x 1 1/2	0	8 1/2		BEV. 1 side	783		179	
46	10AV	18	FILL							
47	18	BAR 3 x 1 1/2	0	8 1/2		BEV. 1 side	784		95	
48	10AW	24	FILL							
49	24	BAR 3 x 1 1/2	0	8 1/2		BEV. 1 side	785		200	
50	10BA	22	FILL							
51	22	BAR 3 x 1 1/2	0	8 1/2		BEV. 1 side	786		270	
52	10BB	22	FILL							
53	22	BAR 3 x 1 1/2	0	8 1/2		BEV. 1 side	787		290	
54	10BF	16	FILL							
55	16	BAR 3 x 2	0	8 1/2		BEV. 1 side	788		231	
56	10BG	6	FILL							
57	6	BAR 3 x 2 1/2	0	8 1/2		BEV. 1 side	789		92	
58	10BK	4	FILL							
59	4	BAR 3 x 2 1/2	0	8 1/2		BEV. 1 side	790		63	
60	10A	2	FILL							
61	2	BAR 3 x 1 1/2	0	8 1/2		BEV. 1 side	791		23	
62	10B	2	FILL							
63	2	BAR 3 x 1 1/2	0	8 1/2		BEV. 1 side	792		9	
64	10C	4	FILL							
65	4	BAR 3 x 1 1/2	0	8 1/2		BEV. 1 side	793		16	
66	10D	2	FILL							
67	2	BAR 3 x 1 1/2	0	8 1/2		BEV. 1 side	794		5	
68	10E	4	FILL							
69	4	BAR 3 x 1 1/2	0	8 1/2		BEV. 1 side	795		23	
70	10G	2	FILL							
71	2	BAR 3 x 1 1/2	0	8 1/2		BEV. 1 side	796		15	

PAY ITEM 59 = 26B4

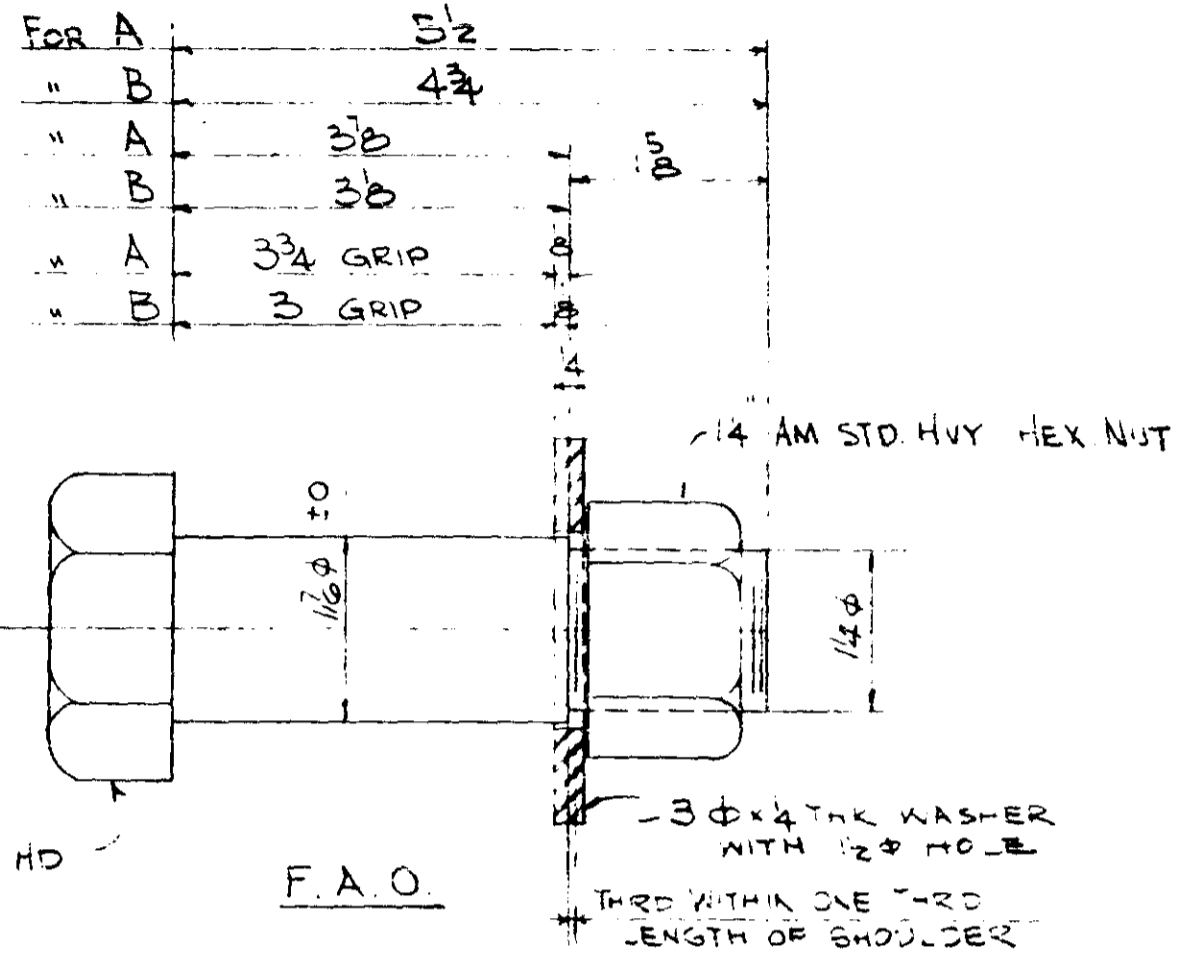
SHOP NOTES:
FOR GENERAL NOTES SEE SH GNI
FOR MAT'L SPECS. SEE 8/MAT'L

MINN. PROJ. NO. 1-1635W-3(58)112
STATE PROJ. NO. 2703-9340B (7H35W-394)

ALLIED STRUCTURAL STEEL COMPANY
ENGINEERS
FABRICATORS
ERECTOR

HAMMOND FAB	DETAILS OF	FILLS & UO
DIV 18	STRUCTURE	BRIDGE #19 9340
OPEN HOLES 1/8"	LOCATION	MINNEAPOLIS MINNESOTA
RIVETS & BOLTS 2	OWNER	MINNESOTA STATE HWY. DEPT.
PAINT	CUSTOMER	MINNESOTA STATE HWY. DEPT.
1 CT. RED LEAD	CONTRACT	3102
DRAWN BY: <i>PH</i>	DATE: 3-18-66	FABCOD 908
CHECKED BY: <i>H.M.H.</i>	DATE: 5-17-66	SHEET 16
REVISIONS	11-26-66	

X	0	1	2	3
0	X			
1				
2				
3				
4				
5				
6				
7				
8				
9				



- 88 - TURNED BOLTS - A17
- 24 - " " - B17

DIVISION	#	NO	DESCRIPTION	LENGTH	ADD FIN-TRIM			MARK	MATERIAL SPEC.	REMARKS	ITEM NO.	WEIGHT
					W	T	L					
7	10	11	14	1								
6	28	16	28	3				A17	PER DET			NG
				4				A	1/4 TAP			
				5				FAO	PER DET			
12	12			8				B17	PER DET			
				9					1/4 TAP			
				10					PER DET			
				11								
				12								
				13								
				14								
				15								
				16								
				17								
				18								
				19								
				20								
				21								
				22								
				23								
				24								
				25								
				26								
				27								
				28								
				29								
				30								
				31								
				32								
				33								
				34								
				35								
				36								
				37								
				38								
				39								
				40								
				41								
				42								
				43								
				44								
				45								
				46								
				47								
				48								
				49								
				50								
				51								
				52								
				53								
				54								
				55								
				56								
				57								
				58								
				59								
				60								
				61								
				62								
				63								
				64								
				65								
				66								
				67								
				68								
				69								
				70								

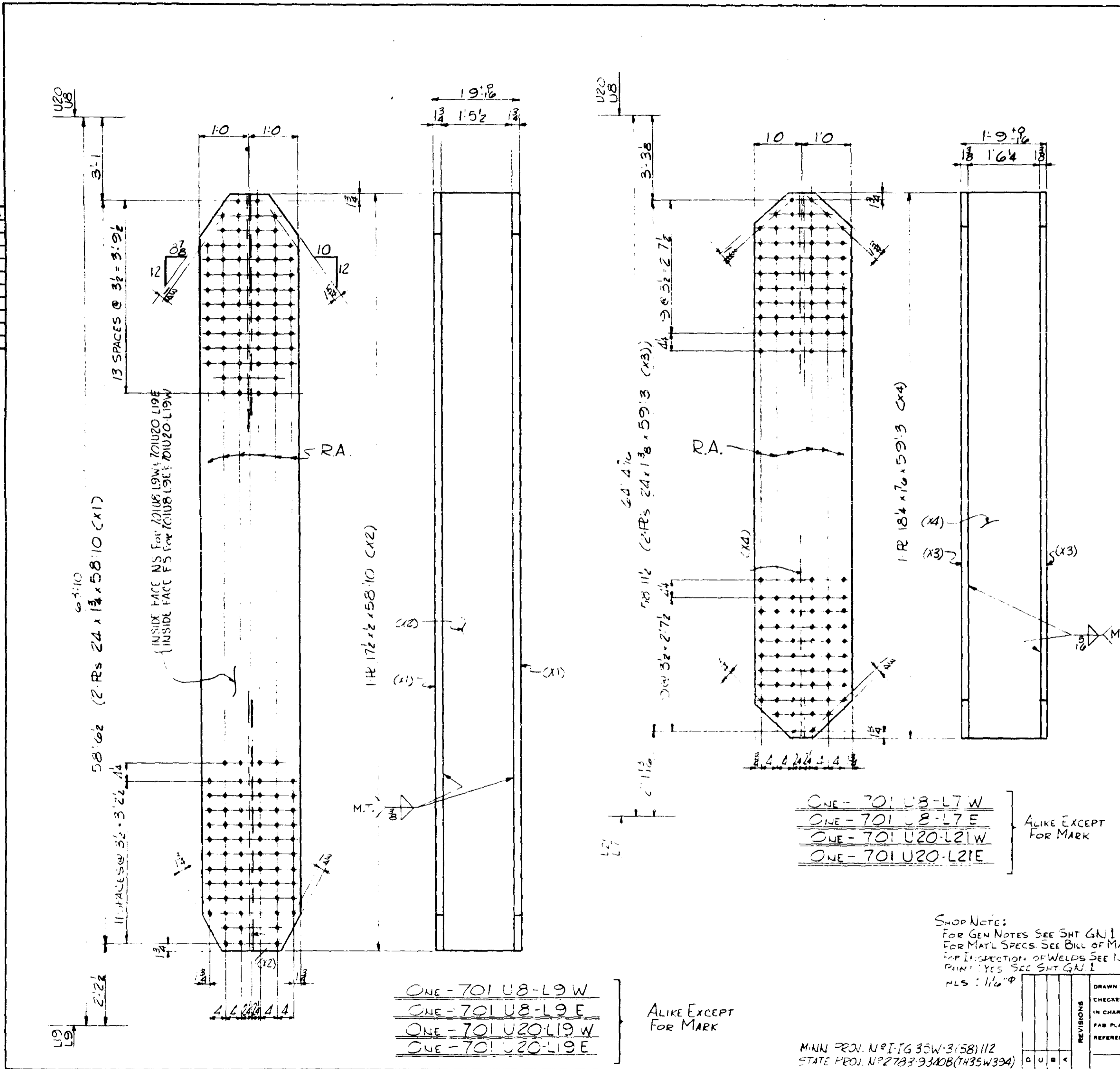
MINN. PROJ. I 10 (BNA 12-1) C
STATE PROJ. 173 (DUB (5A-13-4)

ALLIED
ENGINEERS
FABRICATORS
ERECTORS

STRUCTURAL STEEL COMPANY
1210-1215 STREET, WARREN, MICHIGAN 48090

0	0	3	4
REVISED	DATE	BY	DESCRIPTION
DRAWN BY: <u> </u> DATE: <u> </u> DETAILS OF: <u>TURNED BOLTS & PER BRG SUPPORTS</u>			
CHECKED BY: <u> </u> DATE: <u> </u> STRUCTURE: <u>BRIDGE # 9340</u>			
IN CHARGE OF: <u> </u>			
FAB PLANT: <u>MANMOND</u>		LOCATION: <u>MINNEAPOLIS, MINN</u>	
REFERENCE DWGS: <u> </u>		OWNER: <u>MINNESOTA HWY. DEPT.</u>	
CONTRACT	3142	DIV. 11-14	FABCO - SHEET 17

X
O
I
S
1
2
3
4
5
6
7
8
9



DIV	NO	DESCRIPTION	LENGTH	ADD FIN-TRIM			MARK	MATERIAL	REMARKS	ITEM NO.	WEIGHT	PLY ITEM
				W	T	L						
711	1											
	2											
1	3	ONE - DIAGONAL	701 U8-L9W	59'								
1	4	ONE - DIAGONAL	701 U8-L9E	59'								
1	5	ONE - DIAGONAL	701 U20-L19W	59'								
1	6	ONE - DIAGONAL	701 U20-L19E	59'								
	7											
	8											
	9	8 R 24 x 3/4	58'10"				X1	3309	UM.	202 6721	60	
	10	4 R 17 1/2 x 1/2	58'10"				X2	3310		203 7001	61	
	11	4 3/8 F.W.	236'0"									NC.
	12											
1	13	ONE - DIAGONAL	701 U8-L7W	59'								
1	14	ONE - DIAGONAL	701 U8-L7E	59'								
1	15	ONE - DIAGONAL	701 U20-L21W	59'								
1	16	ONE - DIAGONAL	701 U20-L21E	59'								
	17											
	18											
	19	8 R 24 x 3/4	59'3"				X3	3309	UM.	202 5313	60	
	20	4 R 18 1/2 x 1/2	59'3"				X4	3310		203 6435	61	
	21	4 3/8 F.W.	237'0"									NC.
	22											
	23											
	24											
	25											
	26											
	27											
	28											
	29											
	30											
	31											
	32											
	33											
	34											
	35											
	36											
	37											
	38											
	39											
	40											
	41											
	42											
	43											
	44											
	45											
	46											
	47											
	48											
	49											
	50											
	51											
	52											
	53											
	54											
	55											
	56											
	57											
	58											
	59											
	60											
	61											
	62											
	63											
	64											
	65											
	66											
	67											
	68											
	69											
	70											

SHOP NOTES:
 FOR GEN NOTES SEE SHT G-1
 FOR MATL SPECS SEE BILL OF MATL.
 FOR INSPECTION OF WELDS SEE NOTE ON SHT G-1
 DIMENSIONS SEE SHT G-1
 HLS: 1/16"

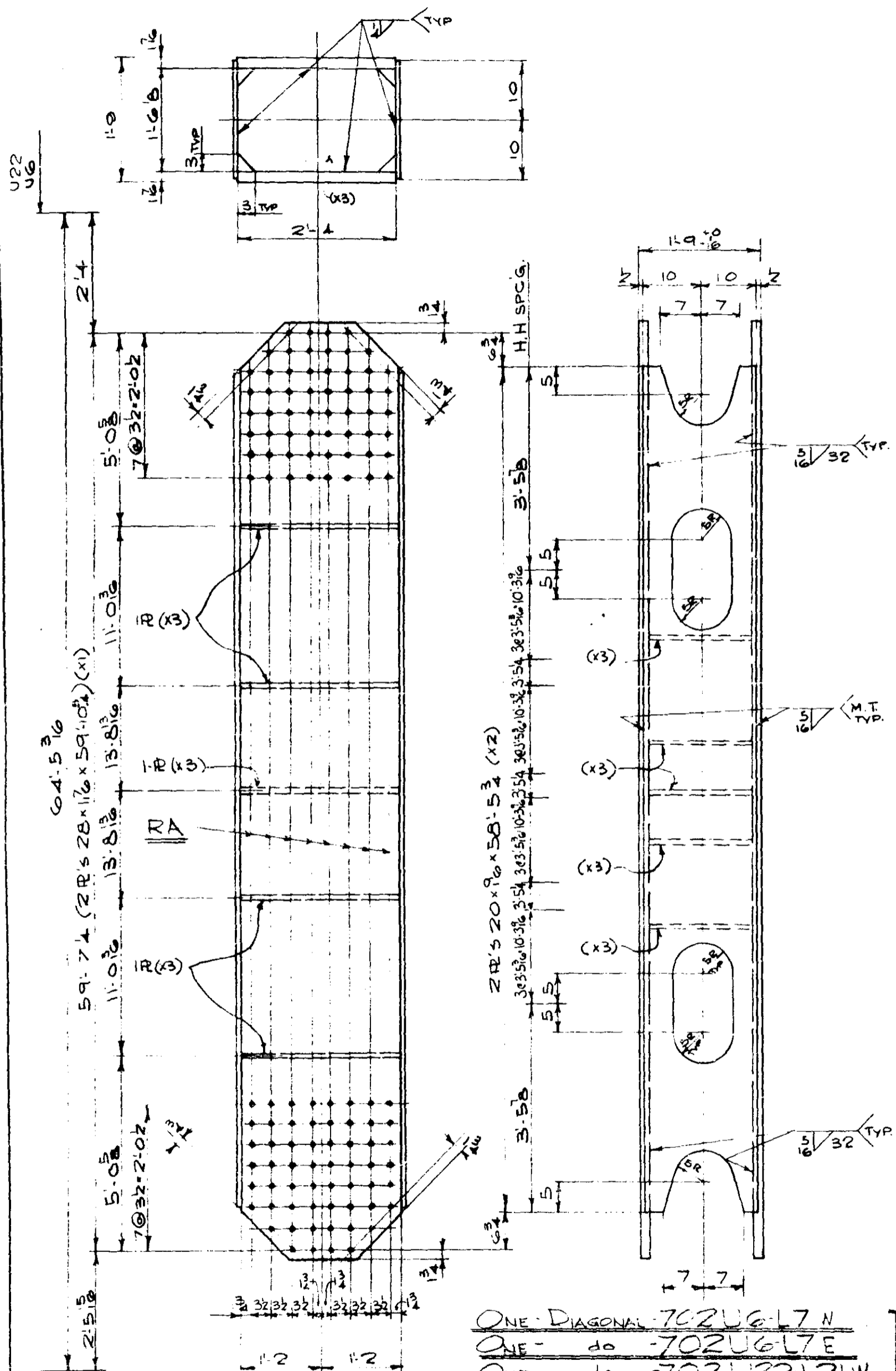
ALLIED STRUCTURAL STEEL COMPANY
 ENGINEERS FABRICATORS & ERECTORS
 1000 EAST STREET, MINNEAPOLIS, MINN.

DETAILS OF: TRUSS DIAGONALS
 STRUCTURE: BRIDGE No 9340
 LOCATION: MINNEAPOLIS, MINNESOTA
 OWNER: MINNESOTA STATE HWY. DEPT.

CONTRACT 3142 DIV FABCOD 235 SHEET 701

REVISIONS: DRAWN BY: AVP DATE: 2-22-63
 CHECKED BY: GN DATE: _____
 IN CHARGE OF: NEWELL
 FAB PLANT: HAMMOND
 REFERENCE DWGS: _____

MINN PROJ. NO: TG 35W-3158112
 STATE PROJ. NO: 2783 9340B (7435W33A)



- ONE - DIAGONAL - 702U6L7 N
- ONE - do - 702U6L7 E
- ONE - do - 702U22L21 W
- ONE - do - 702U22L21 E

ALIKE EXCEPT FOR MARK

SHOP NOTE:
 FOR GEN. NOTES SEE SHT. G-1
 FOR MAT'L SPECS SEE BILL OF MAT'L
 FOR INSPECTION OF WELDS SEE NOTE ON SHT. G-1

DIV	NO.	SHIP MK	NO. REQ	SHAPE	LENGTH	PC. WT.	REMARKS	ITEM NO.	TOTAL WEIGHT
711	1								
	2								
	3		ONE	DIAGONAL	702U6L7 W				
	4		ONE	do	702U6L7 E				(30x60'-0")
	5		ONE	do	702U22L21 W				
	6		ONE	do	702U22L21 E				
	7								
	8								
	9		2	R 20x12	59.03	11		22	60 65574 3304
	10		2	R 20x8	58.53	12		23	61 17395 3310
	11		2	R 10x8	24.13			24	59 1278 3306
	12								
	13								
	14		1	F.W.	11.0				NC
	15		1	F.W.	11.8				HL
	16								
	17								
	18								
	19								
	20								
	21								
	22								
	23								
	24								
	25								
	26								
	27								
	28								
	29								
	30								
	31								
	32								
	33								
	34								
	35								
	36								
	37								
	38								
	39								
	40								
	41								
	42								
	43								
	44								
	45								
	46								
	47								
	48								
	49								
	50								
	51								
	52								
	53								
	54								
	55								
	56								
	57								
	58								
	59								
	60								
	61								
	62								
	63								
	64								
	65								
	66								
	67								
	68								
	69								
	70								
	71								

ALLIED STRUCTURAL STEEL COMPANIES
 CLINTON BRIDGE CORP. • GARE STRUCTURAL STEEL CORP. • MIDLAND STRUCTURAL STEEL CORP.
 ENGINEERS - FABRICATORS - ERECTORS OF BUILDINGS AND BRIDGES
 20 NORTH WACKER DRIVE CHICAGO 6, ILLINOIS

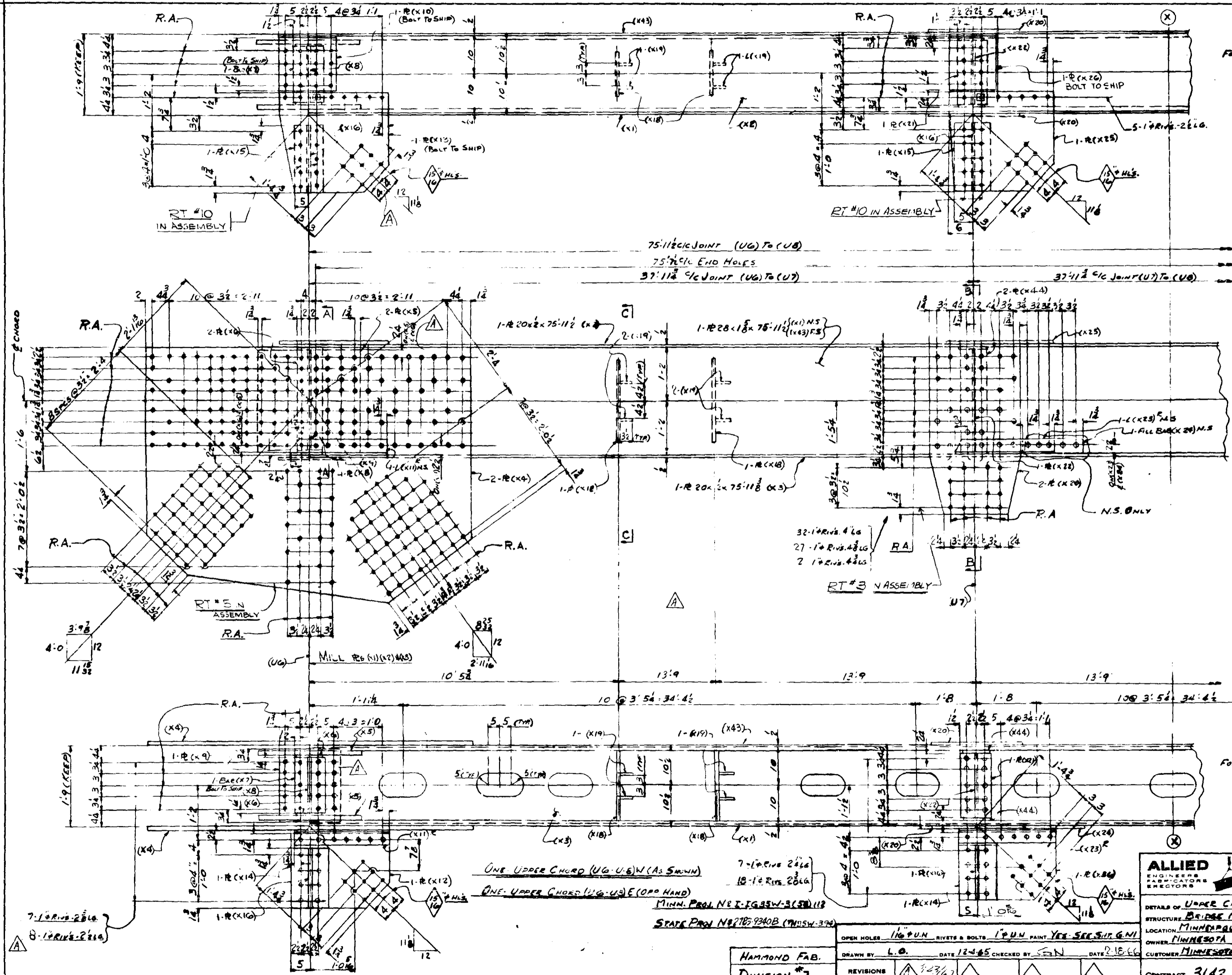
DETAILS OF TRUSS DIAGONALS
 STRUCTURE BRIDGE NO. 9340
 LOCATION MINNEAPOLIS MINN.
 OWNER MINN. STATE HWY. DEPT.
 CUSTOMER MINN. STATE HWY. DEPT.

HAMMOND FAB. MINN. PROJ. NO. I-19 35W-3(50)112
 STATE PROJ. NO. 2787-9340 (CLASSIFIED)
 OPEN HOLES 1/2" RIVETS & BOLTS - PAINT YES SEE SHT. G-1
 DRAWN BY AYP DATE 12-65 CHECKED BY DATE
 REVISIONS △ △ △ △ CONTRACT 3142 FAB-00 214 SHEET 702

FOR CONTINUATION
SEE SH. 703C

FOR CONTINUATION
SEE SH. 703BC

FOR CONTINUATION
SEE SH. 703C



ALLIED STRUCTURAL STEEL COMPANY
ENGINEERS, FABRICATORS, ERECTORS
1425 15TH STREET, HARBOR, MINN. 55404

DETAILS OF: **UPPER CHORD UG TO UB**
STRUCTURE: **BRIDGE NO 9490**
LOCATION: **MINNEAPOLIS, MINNESOTA**
OWNER: **MINNESOTA HIGHWAY DEPARTMENT**
CUSTOMER: **MINNESOTA HIGHWAY DEPARTMENT**

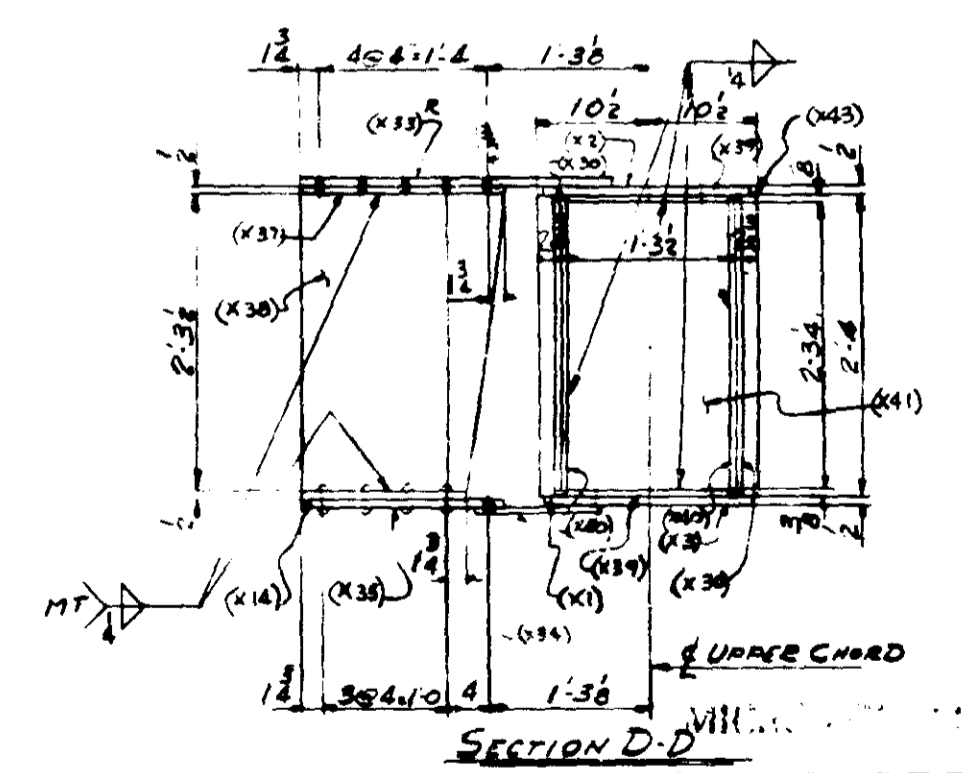
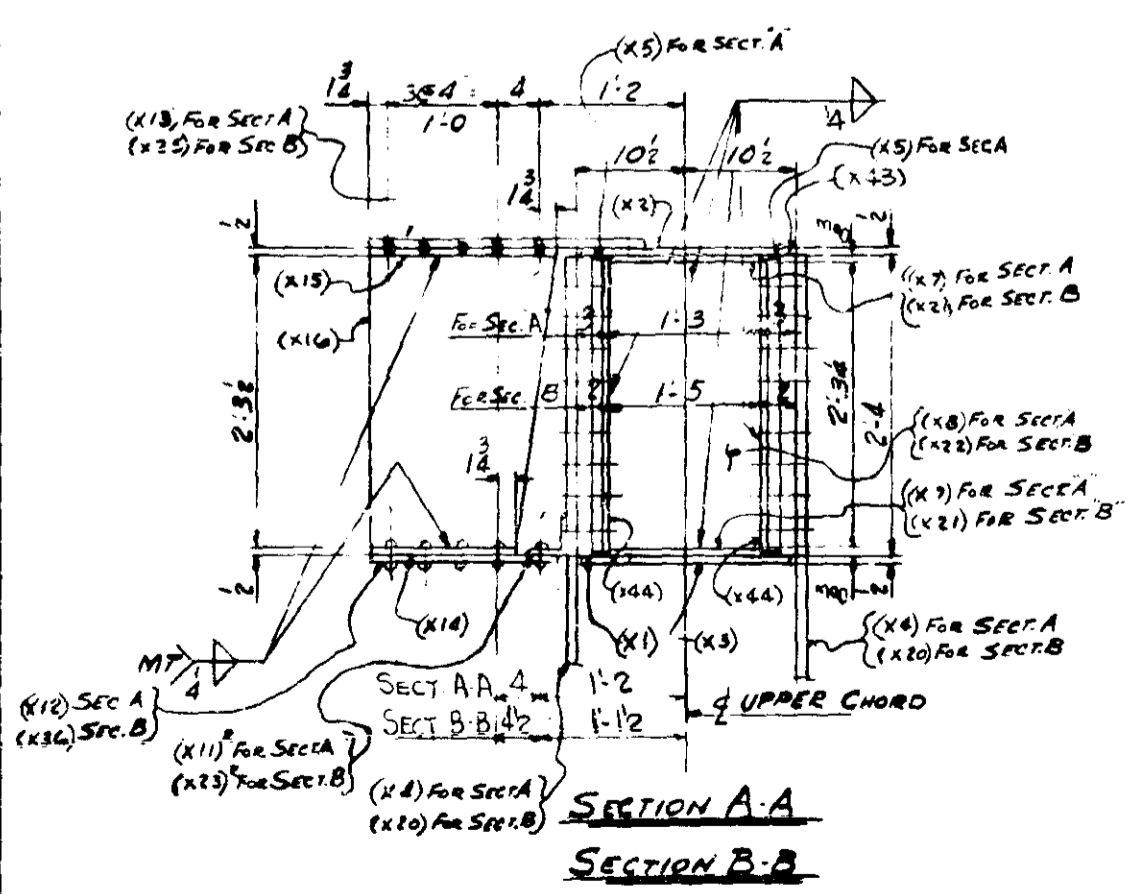
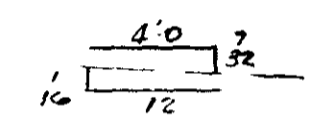
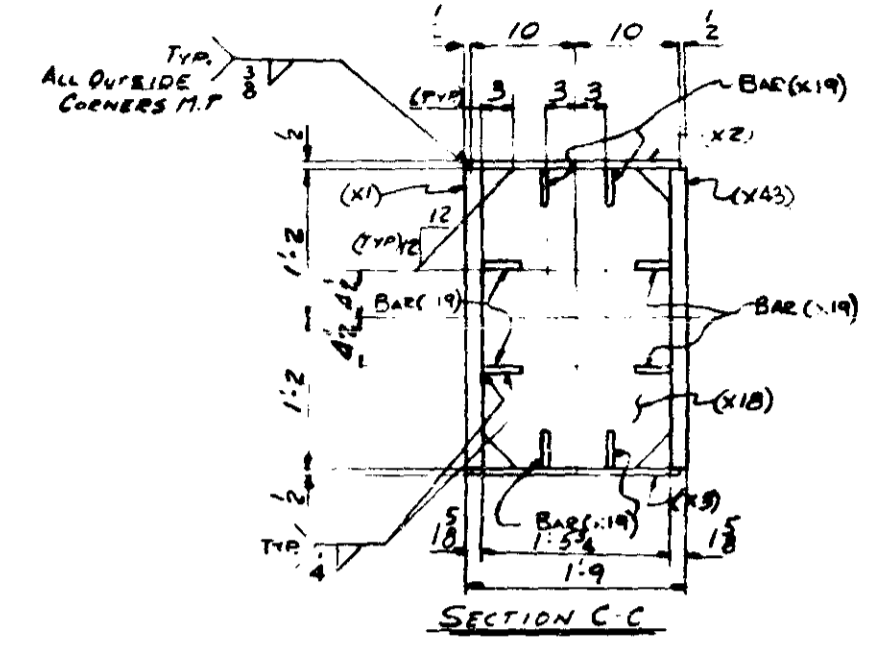
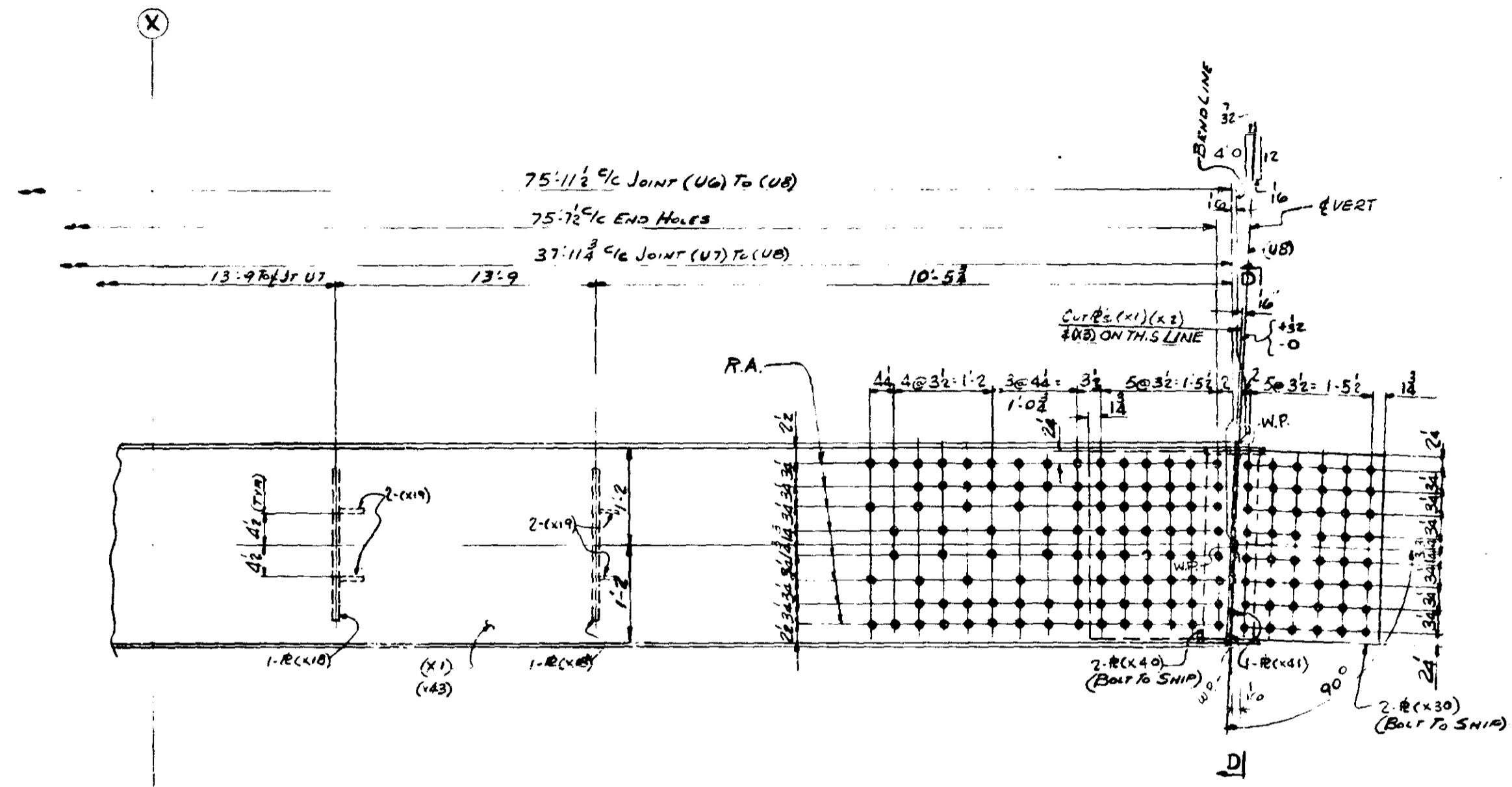
STATE PROJ NO: 785 9340B (78MSW-374)

OPEN HOLES: **1/2" P UN** RIVETS & BOLTS: **1" P UN PAINT YES SEE SH. 601**

DATE: **12-4-65** CHECKED BY: **SEN** DATE: **2-18-66**

CONTRACT: **3142** FABCOD: **215** SHEET: **703AC**

HAMMOND FAB. DIVISION #7	REVISIONS	A 1-23-67	△	△	△
--------------------------	-----------	-----------	---	---	---



MINN. PROJ. NO. I-2635W-3(58)112
 STATE PROJ. NO. 2783-9240B(TH35W-59)

HAMMOND FAB.
 DIVISION #7

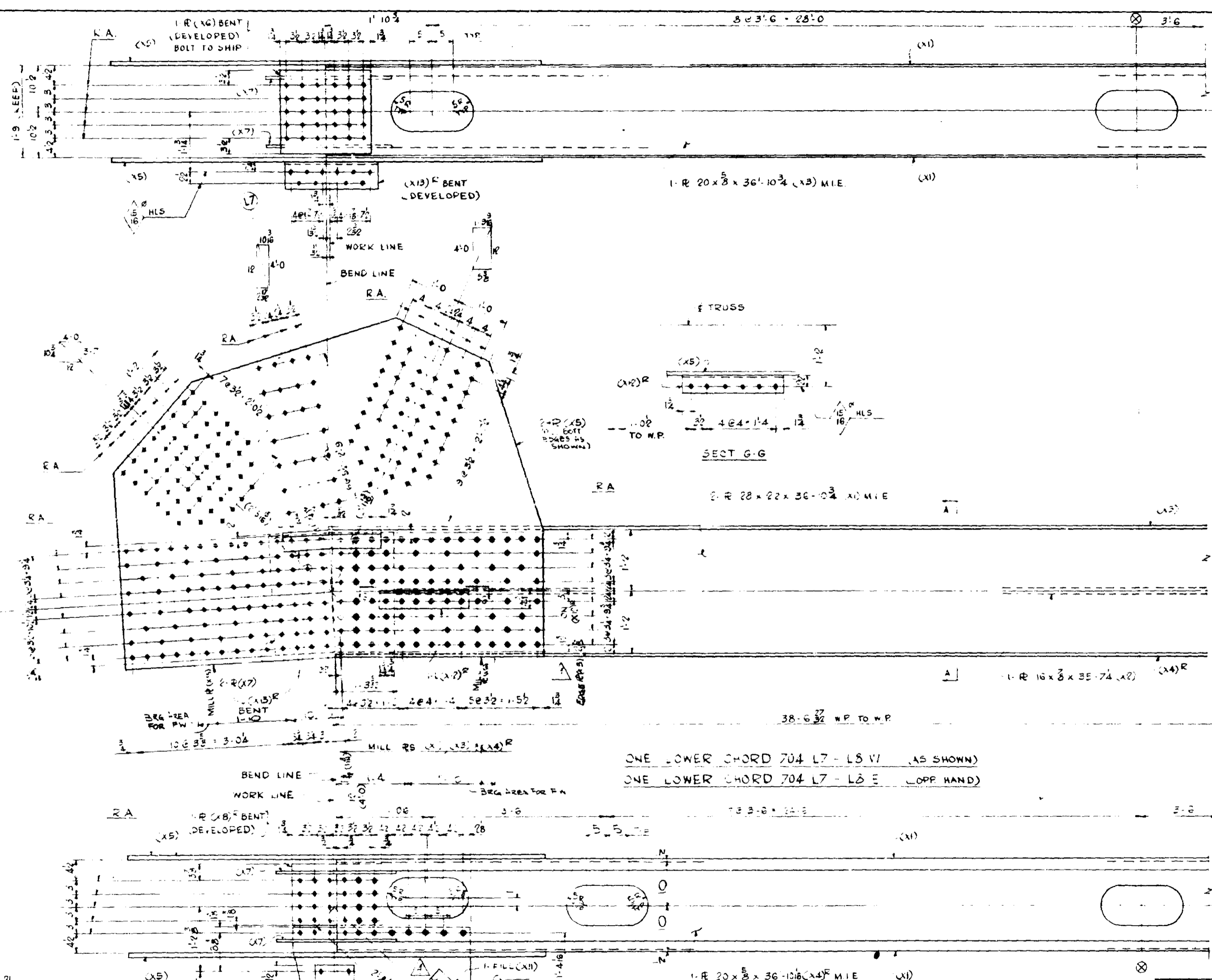
ALLIED STRUCTURAL STEEL COMPANY
 ENGINEERS, FABRICATORS & ERECTORS
 1425 16TH STREET MINNEAPOLIS, MINN. 55403

DETAILS OF UPPER CHORD U6 TO U8
 STRUCTURE: BRIDGE NO. 9340
 LOCATION: MINNEAPOLIS, MINNESOTA
 OWNER: MINNESOTA STATE HWY. DEPT.
 CUSTOMER: MINNESOTA STATE HWY. DEPT.

OPEN HOLES	1/4\"/>
RIVETS & BOLTS	1\"/>
PAINT	YES-SEE SHEET 1
DRAWN BY	L.O.
DATE	12-13-63
CHECKED BY	C.M.
DATE	

REVISIONS	△	△	△	△
-----------	---	---	---	---

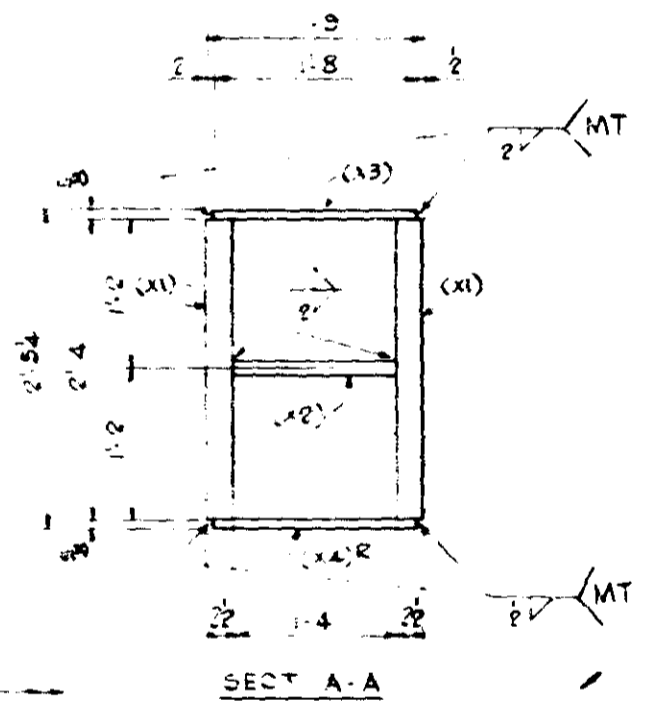
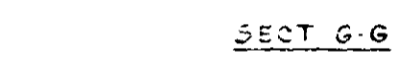
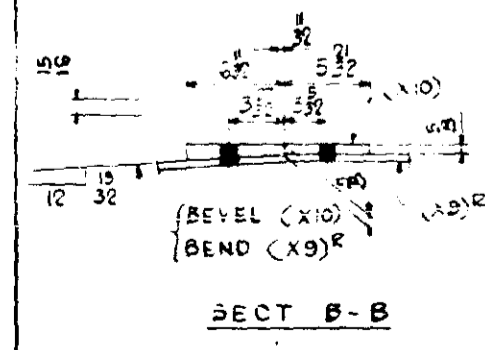
CONTRACT 3142 FABCOD 215 SHEET 703BC

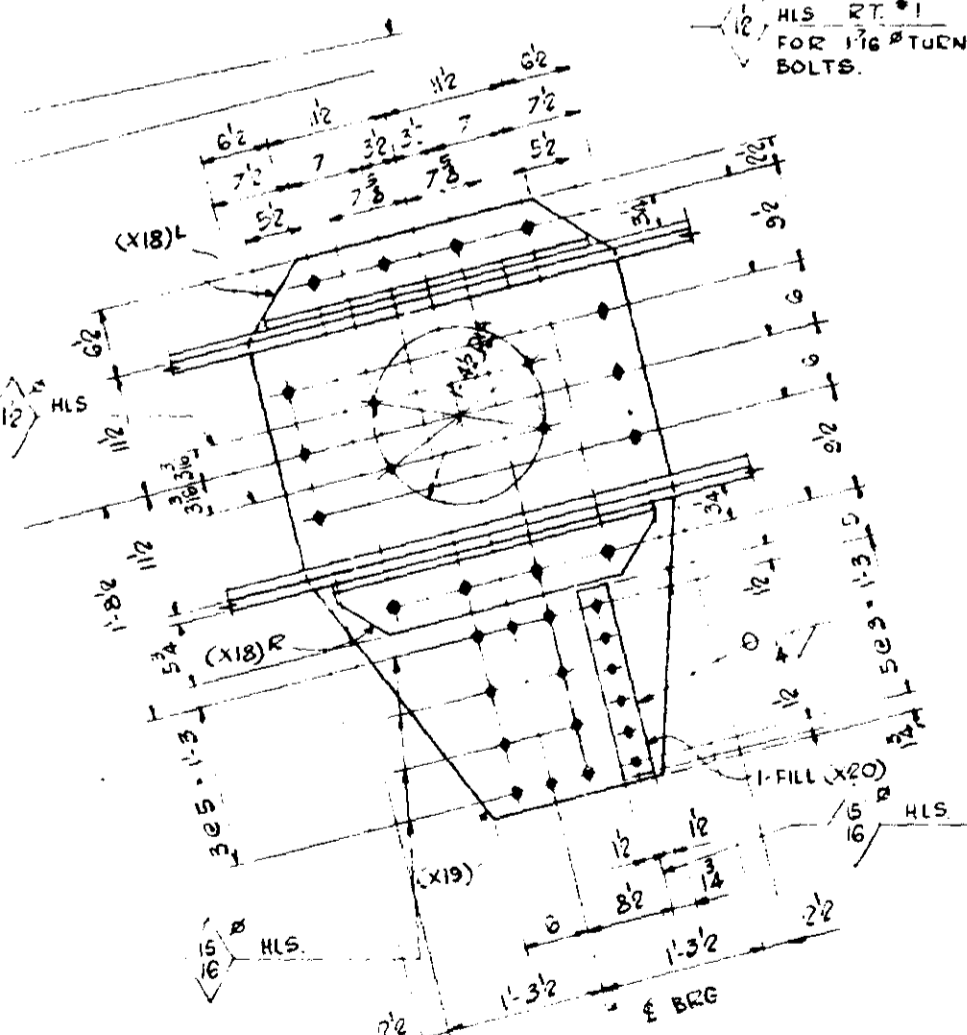
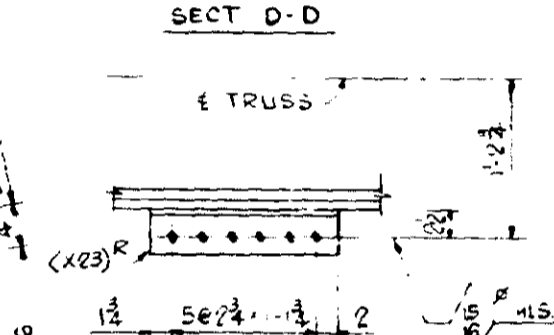
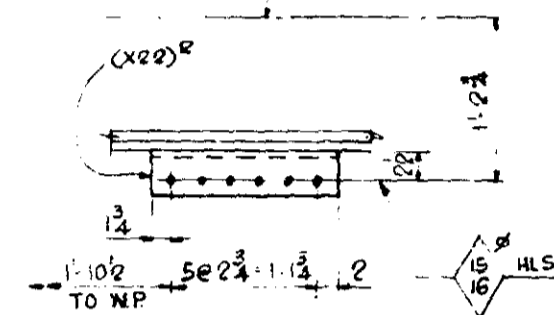
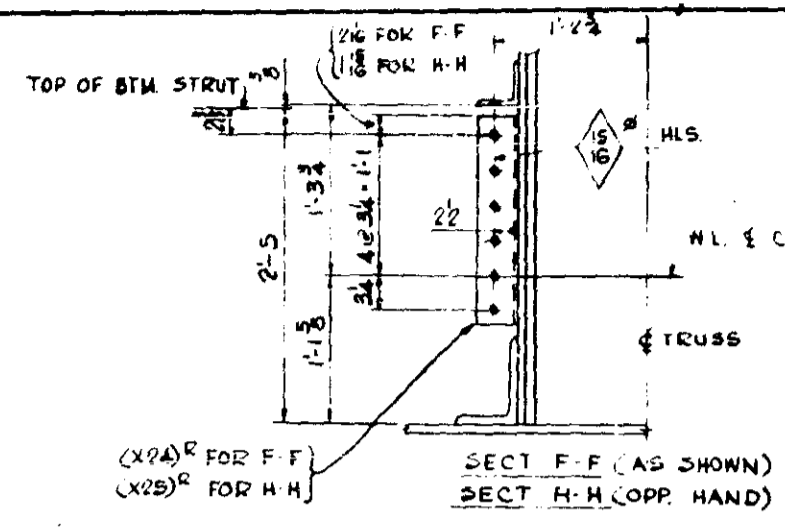
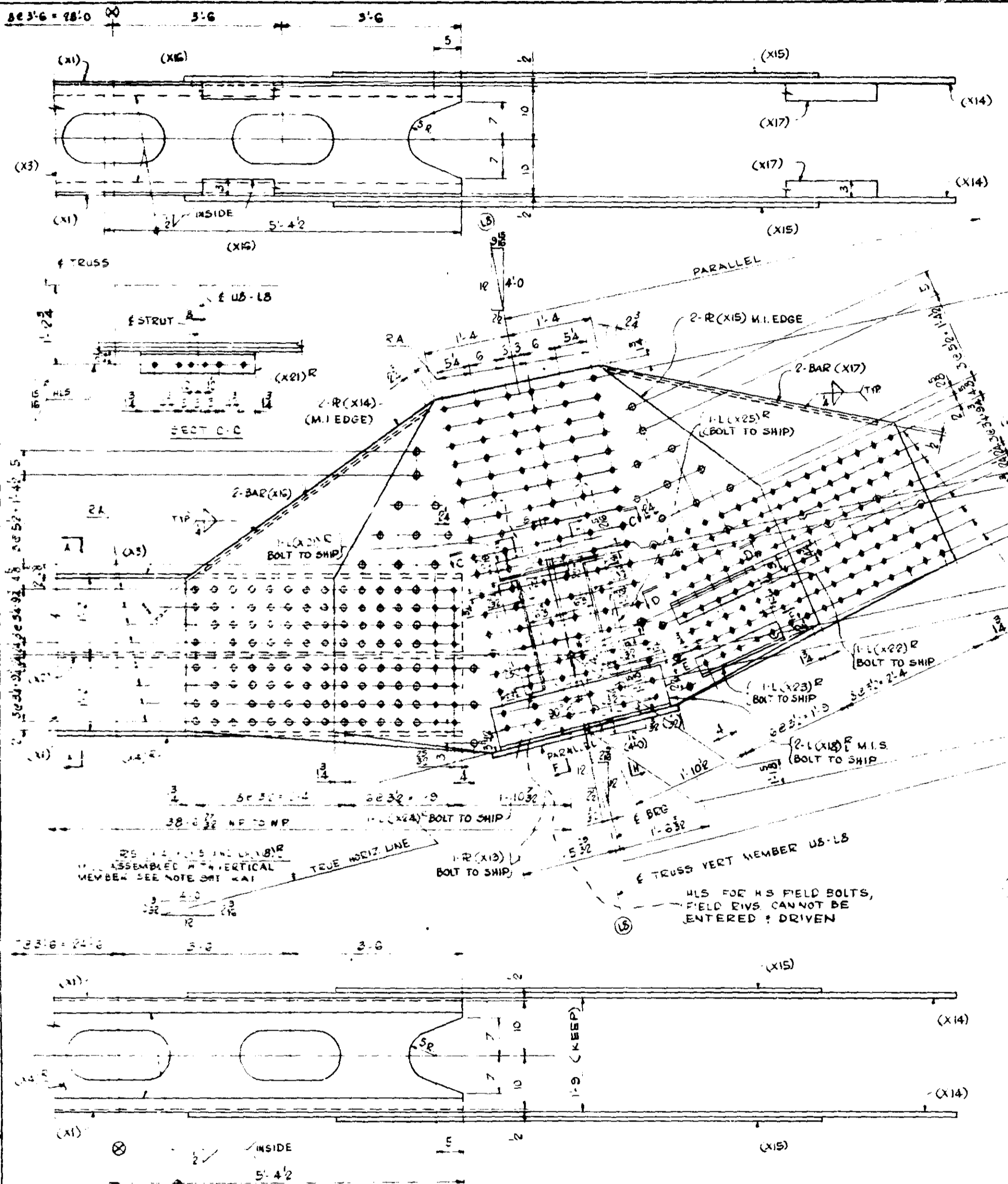


SEE SHIT 704 B FOR NOTES

HAMMOND FAB		MINN PROJ. NO. 116 35W-3 (58) 112	
		STATE PROJ. NO. 22 112 (LTH 35W-354)	
OPEN HOLES	RIVETS & BOLTS	PAINT	
DRAWN BY: S.D.	DATE: 12 15 65	CHECKED BY: S.N.	DATE:
REVISIONS	△	△	△

ALLIED		STRUCTURAL STEEL COMPANY	
ENGINEERS FABRICATORS ERECTORS			
DETAILS OF LOWER CHORD L7 TO L8			
STRUCTURE BRIDGE N° 3340			
LOCATION MINNEAPOLIS MINNESOTA			
OWNER MINNESOTA STATE HWY DEPT			
CUSTOMER MINNESOTA STATE HWY DEPT			
CONTRACT	3142	FABCOD 224	SHEET 704 AB





ITEM NO.	SHIP NO.	NO. REQ.	SHAPE	LENGTH	PC NO.	REMARKS	ITEM WT.	TOTAL WEIGHT
1								
2								
3								
4			LOWER CHORD (77' x 48')	10		AS SHOWN		
5			LOWER CHORD (77' x 48')	10		OPP. HAND		
6		4	R 28 x 2 1/2	36.10	X1	M.I. EDGE	218	872
7		2	R 16 x 3/8	35.74	X2		220	339.0
8		2	R 20 x 3/8	36.10	X3	M.I. EDGE	219	313.6
9		2	R 20 x 3/8	36.10	X4	M.I. EDGE	219	313.6
10		4	R 7 1/2 x 1	8.72	X5		221	872
11		4	R 2 1/2 x 3/8	2.98	X7	BENT UM	222	11.92
12		2	R 1 1/2 x 3/8	1.9	X8	BENT UM	226	7.56
13		2	R 2 1/2 x 3/8	3.78	X9	BENT	301	12.54
14		2	FILL 2 x 3/8	1.2	X10	SEV	313	7.56
15		2	FILL 2 x 3/8	1.0	X11		312	7.56
16		2	L 4 x 4 x 3/8	1.1	X12		304	7.56
17		2	L 6 x 4 x 3/8	1.1	X13		302	9.9
18		2	L 6 x 4 x 3/8	1.1	X14		302	9.9
19		4	R 6 5/8 x 1	12.48	X14	M.I. EDGE	305	1100.9
20		4	R 6 5/8 x 1	7.08	X15	M.I. EDGE	304	522.0
21		4	BAR 3 x 3	4.1	X16		306	64
22		4	BAR 3 x 3	4.1	X17		306	64
23		4	L 8 x 5 1/2 x 3/8	2.8	X18		307	36
24		4	L 8 x 6 x 3/8	2.8	X19		307	36
25		2	R 3 1/2 x 1	4.74	X9		308	27
26		2	FILLS 3 x 1 1/8	1.6	X20		309	29
27		2	L 4 x 4 x 3/8	1.1	X21		310	7.56
28		2	L 4 x 4 x 3/8	1.1	X22		311	7.56
29		2	L 6 x 4 x 3/8	1.1	X23		311	9.9
30		2	L 4 x 4 x 3/8	1.1	X24		310	7.56
31		2	L 4 x 4 x 3/8	1.1	X25		310	7.56
32		2	L 4 x 4 x 3/8	1.1	X26		310	7.56
33								
34								
35								
36								
37								
38								
39								
40								
41		2	2	24.5				
42		2	4	27.6				
43								
44								
45								
46			36 SHIPP BOLT					
47								
48								
49								
50								
51								
52								
53								
54								
55								
56								
57								
58								
59								
60								
61								
62								
63								
64								
65								
66								
67								
68								
69								
70								
71								

1" SHOP RIVETS

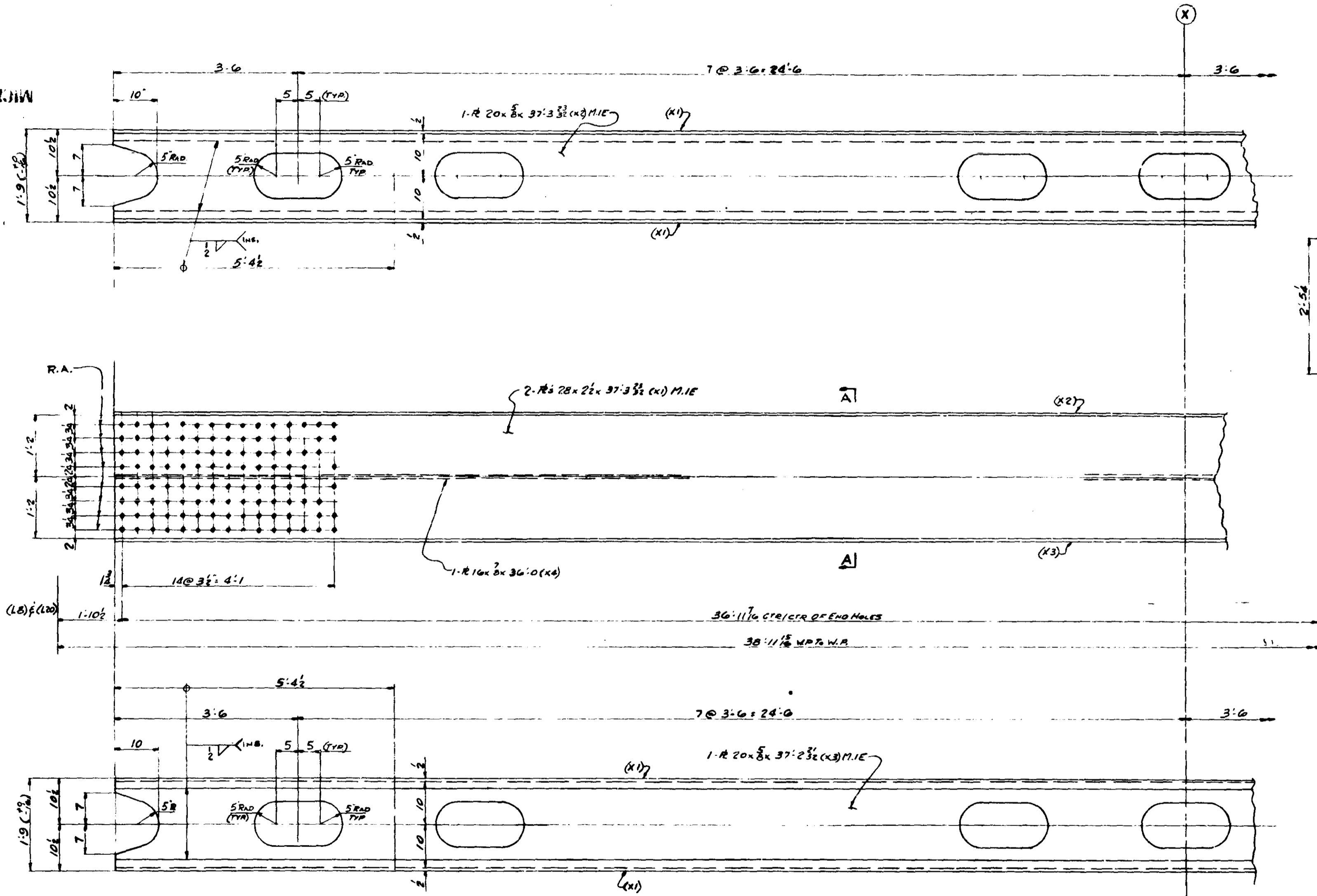
Nº	16
14	28
16	28
104	38
446	52
10	52
30	64
60	62
6	62

NOTES
 FOR GENERAL NOTES SEE SHT GNI
 MATL SPEC'S - SEE BILL OF MATL
 FOR INSPECTION OF WELD SEE NOTE ON SHT GNI

HAMMOND FAB
 MINN PROJ N° I-16 55W-3 (58)112
 STATE PROJ N° 2183-222-3 (TH 55W 594)
 OPEN HOLES 116" U.N. RIVETS 1" PAINT YES - SEE SHT GNI
 DRAWN BY: RD DATE 12 15 65 CHECKED BY: SN DATE
 DIV #7 REVISIONS

ALLIED STRUCTURAL STEEL COMPANY
 1100 W. WASHINGTON ST. MINNEAPOLIS, MINN. 55401
 DETAILS OF LOWER CHORD L7 TOLB
 STRUCTURE BRIDGE N° 2340
 LOCATION MINNEAPOLIS MINNESOTA
 OWNER MINNESOTA STATE HWY DEPT.
 CUSTOMER MINNESOTA STATE HWY DEPT.
 CONTRACT 3142 FABCOD 224 SHEET 704 B

MIRROR PLANE



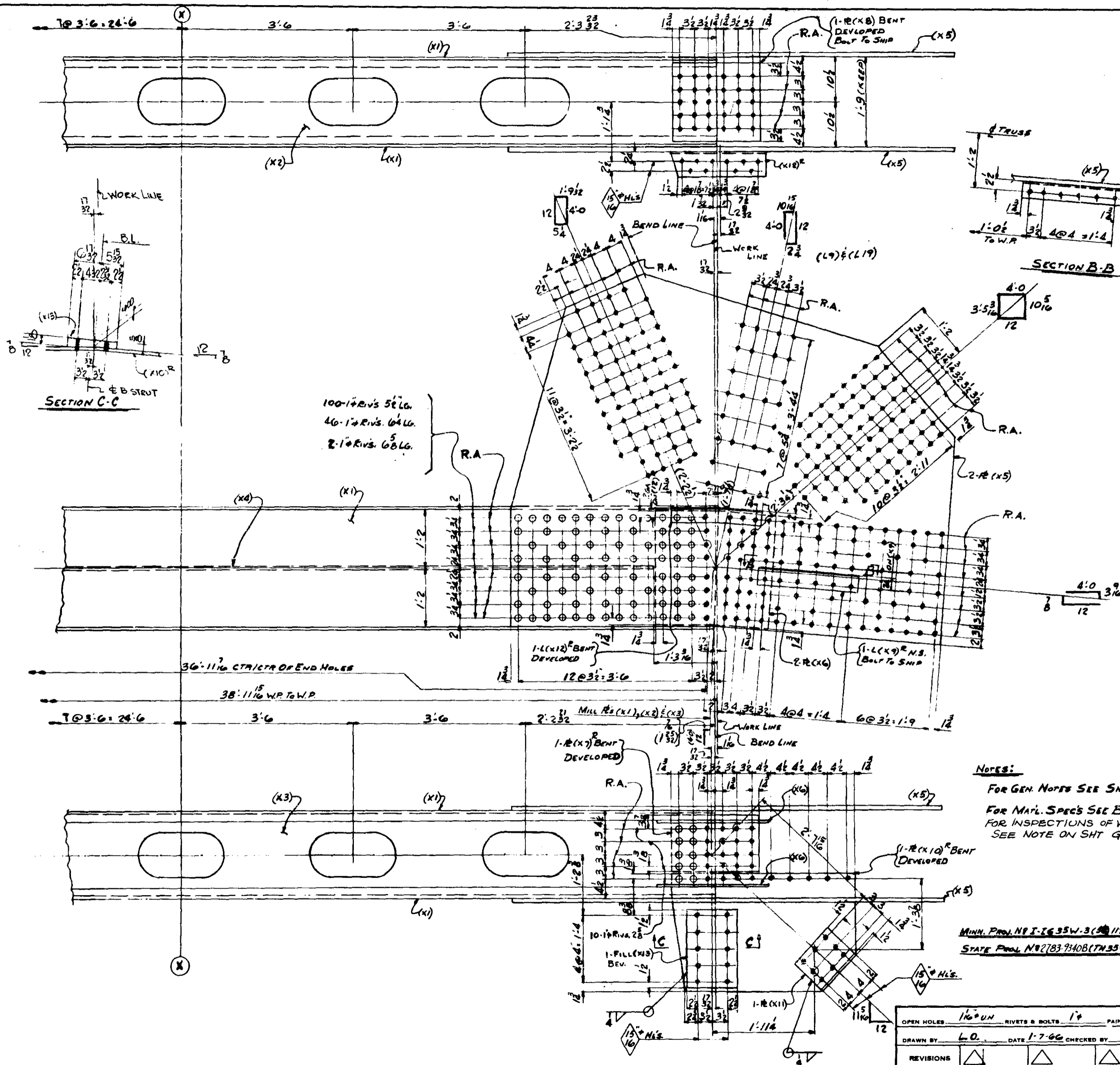
ONE - LOWER CHORD - 705 (L8-L9) W (AS SHOWN)
 ONE - LOWER CHORD - 705 (L20-LM) E (AS SHOWN)
 ONE - LOWER CHORD - 705 (L8-L9) E (OPR. HAND)
 ONE - LOWER CHORD - 705 (L20-L19) W (OPR. HAND)
 ALL EXCEPT FOR MARKS

MINN. PROJ. NR. E-1635W-3(50)112
 STATE PROJ. NR. NE 2783-9408 (N 25 W 334)

HAMMOND FAB.
 DIVISIONS 7811

ALLIED ENGINEERS FABRICATORS ERECTORS		STRUCTURAL STEEL COMPANY 1400 14TH STREET, HARBOR, MINNAPOLIS	
DETAILS OF LOWER CHORD (L8-L9) & (L20-L19)			
STRUCTURE BRIDGE NR. 2990			
LOCATION MINNEAPOLIS, MINNESOTA			
OWNER MINNESOTA STATE HIGHWAY DEPT.			
CUSTOMER MINNESOTA STATE HIGHWAY DEPT.			
CONTRACT 3142		FABCOD 224 SHEET 705AB	

OPEN HOLES	1/4"	RIVETS & BOLTS	1"	PAINT	YES SEE SHEET 1
DRAWN BY	L.O.	DATE	1-2-66	CHECKED BY	GN
REVISIONS	△	△	△	△	



DIV.	NO.	SHIP	NO.	SHAPE	LENGTH	PC	REMARKS	ITEM	TOTAL	NO.
7	11	NO.	NO.			NO.		NO.	WEIGHT	NO.
1	1			ONE LOWER CHORD 705(L20-L19)						
1	2			ONE LOWER CHORD 705(L20-L19)E						
1	3			ONE LOWER CHORD 705(L20-L19) (OPP. HAND)						
1	4			ONE LOWER CHORD 705(L20-L19) (OPP. HAND)						
5	5			8 R 28x22	37	311	M.I.E.	316	60	71033
6	6			4 R 20x8	37	311	M.I.E.	317	61	6392
7	7			4 R 20x8	37	311	M.I.E.	312	61	6327
8	8			4 R 16x8	36	0		318	60	6854
9	9			8 R 85x8	8	106	X5	319	60	20700
10	10			8 R 28x8	2	52	X6	320	61	1170
11	11			4 R 14x8	1	9	X7	321	61	170
12	12			4 R 19x8	1	9	X8	322	61	170
13	13			4 L 6x4x8	1	11	X9	323	59	75
14	14									
15	15			4 R 27x8	3	72	X10	323	61	508
16	16			4 R 9x8	1	0	X11	324	59	77
17	17			4 L 6x4x8	1	10	X12	324	59	93
18	18			4 FILL 16x16	1	7	X13	325	59	221
19	19			180 1" RIVS						NC
20	20			180 1" RIVS						NC
21	21			8 1" RIVS						
22	22			4 WLD						
23	23			4 WLD						
24	24			16 S.B.						
25	25									
26	26									
27	27									
28	28									
29	29									
30	30									
31	31									
32	32									
33	33									
34	34									
35	35									
36	36									
37	37									
38	38									
39	39									
40	40									
41	41									
42	42									
43	43									
44	44									
45	45									
46	46									
47	47									
48	48									
49	49									
50	50									
51	51									
52	52									
53	53									
54	54									
55	55									
56	56									
57	57									
58	58									
59	59									
60	60									
61	61									
62	62									
63	63									
64	64									
65	65									
66	66									
67	67									
68	68									
69	69									
70	70									
71	71									

NOTES:
 FOR GEN. NOTES SEE SH. GNI
 FOR MATL. SPECS SEE BILL OF MATL.
 FOR INSPECTIONS OF WELDS
 SEE NOTE ON SH. GNI

ALLIED STRUCTURAL STEEL COMPANY
 ENGINEERS FABRICATORS ERECTORS
 1225 15TH STREET, HANNOY, INDIANA 46940

HANNOY FAB.
 DIVISIONS 7611

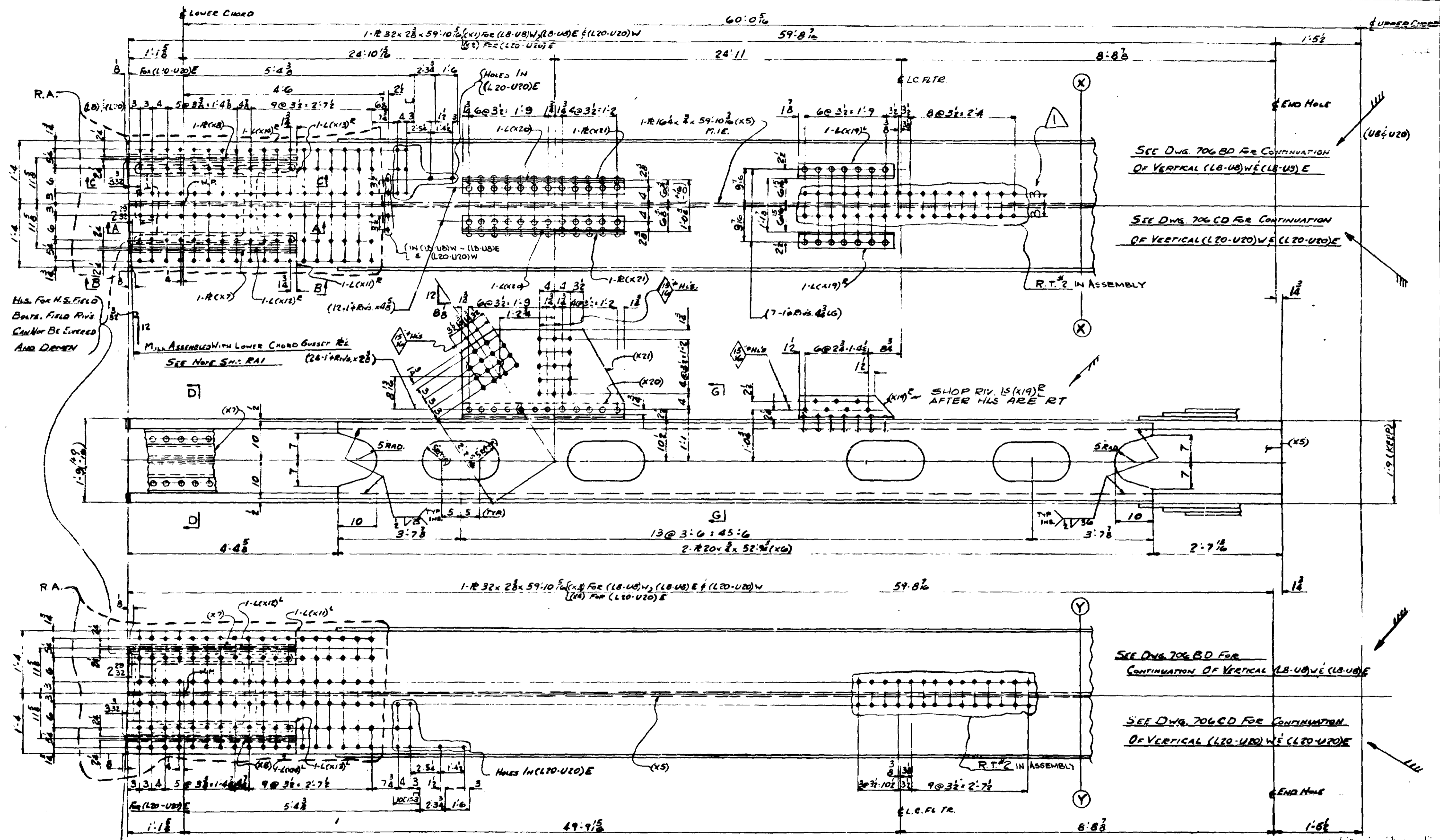
DETAILS OF LOWER CHORD (L20-L19) & (L20-L19)
 STRUCTURE BRIDGE # 9340
 LOCATION MINNEAPOLIS, MINNESOTA
 OWNER MINNESOTA STATE HWY. DEPT.
 CUSTOMER MINNESOTA STATE HWY. DEPT.

MINN. PROJ. NO. I-2635W.3(5)112
 STATE PROJ. NO. 2783-940B(1735W394)

OPEN HOLES 1/4" UN RIVETS & BOLTS 1/4" PAINT YES SEE SH. GNI

DRAWN BY L.O. DATE 1-7-66 CHECKED BY GN DATE

CONTRACT 3142 FABCOD 224 SHEET 705B



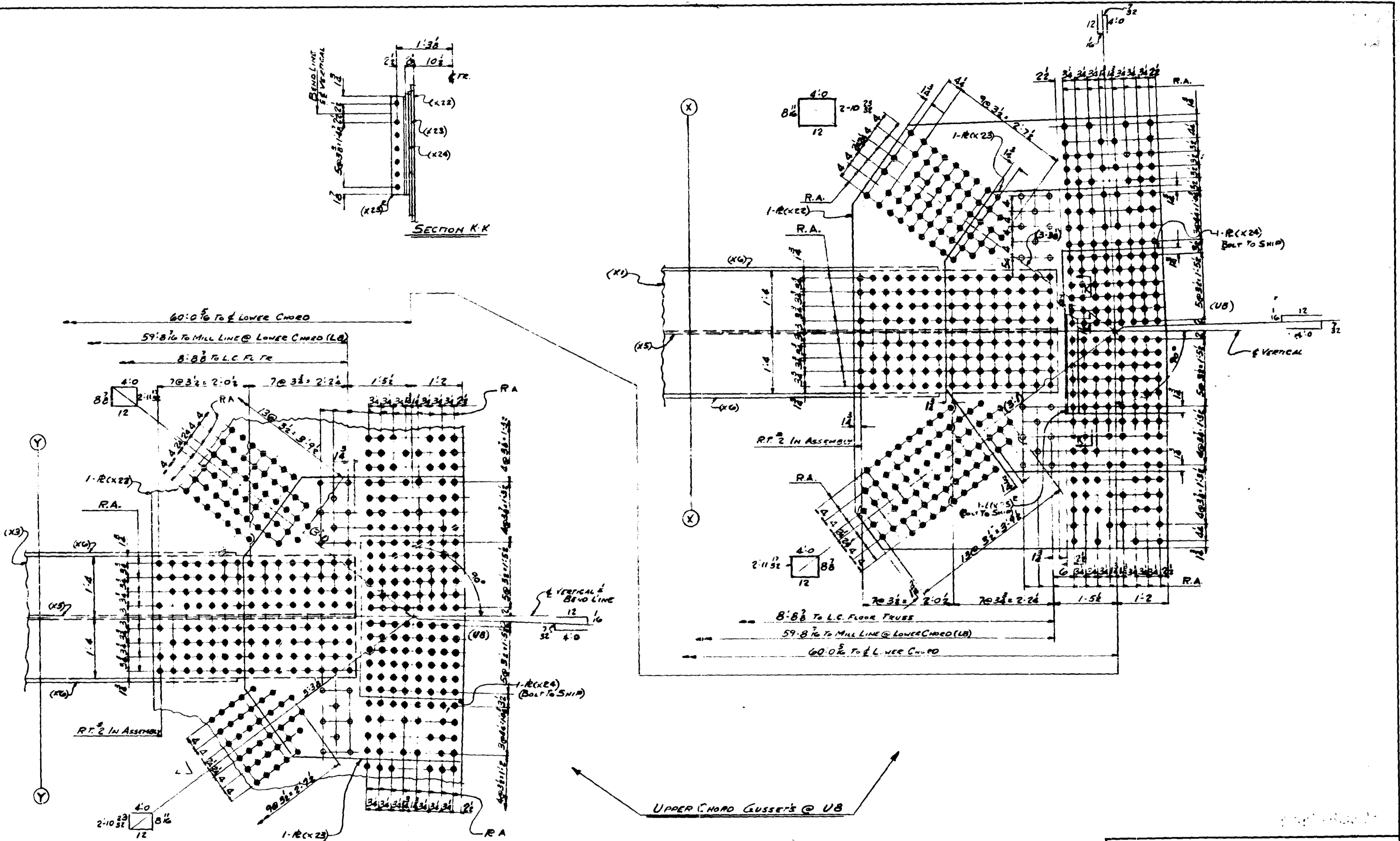
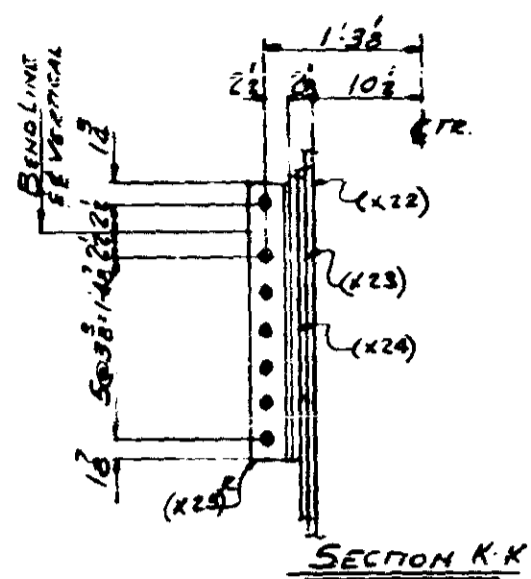
- ONE VERTICAL - 706 (LB-US) W (AS SHOWN)
- ONE VERTICAL - 706 (L20-U20) W (AS SHOWN)
- ONE VERTICAL - 706 (LB-US) E (OPPOSITE HAND)
- ONE VERTICAL - 706 (L20-U20) E (OPPOSITE HAND AS NOTED)

MINN. PROJ. NO. I-1635W-3 (58) 112	HARRISON FAB.					
STATE PROJ. NO. 2783 7340B (73 35W-394)	DIVISION 7411					
OPEN HOLES 1/4" UN. RIVETS & BOLTS 1/4" UN. PAINT YES SEE SET 6411						
DRAWN BY 6.0 DATE 1-4-66 CHECKED BY J.E.N. DATE						
REVISIONS	<table border="1"> <tr> <td>△</td> <td>5/20/66</td> <td>△</td> <td>1</td> <td>△</td> </tr> </table>	△	5/20/66	△	1	△
△	5/20/66	△	1	△		

ALLIED STRUCTURAL STEEL COMPANY
 ENGINEERS, FABRICATORS & Erectors
 1400 - 15TH STREET, HARBOR, MINN. 55404

DETAILS OF VERTICALS (US TO LB) & (L20 TO U20)
 STRUCTURE BRIDGE NO. 9340
 LOCATION MINNEAPOLIS, MINNESOTA
 OWNER MINNESOTA STATE HWY DEPT.
 CUSTOMER MINNESOTA STATE HWY DEPT.

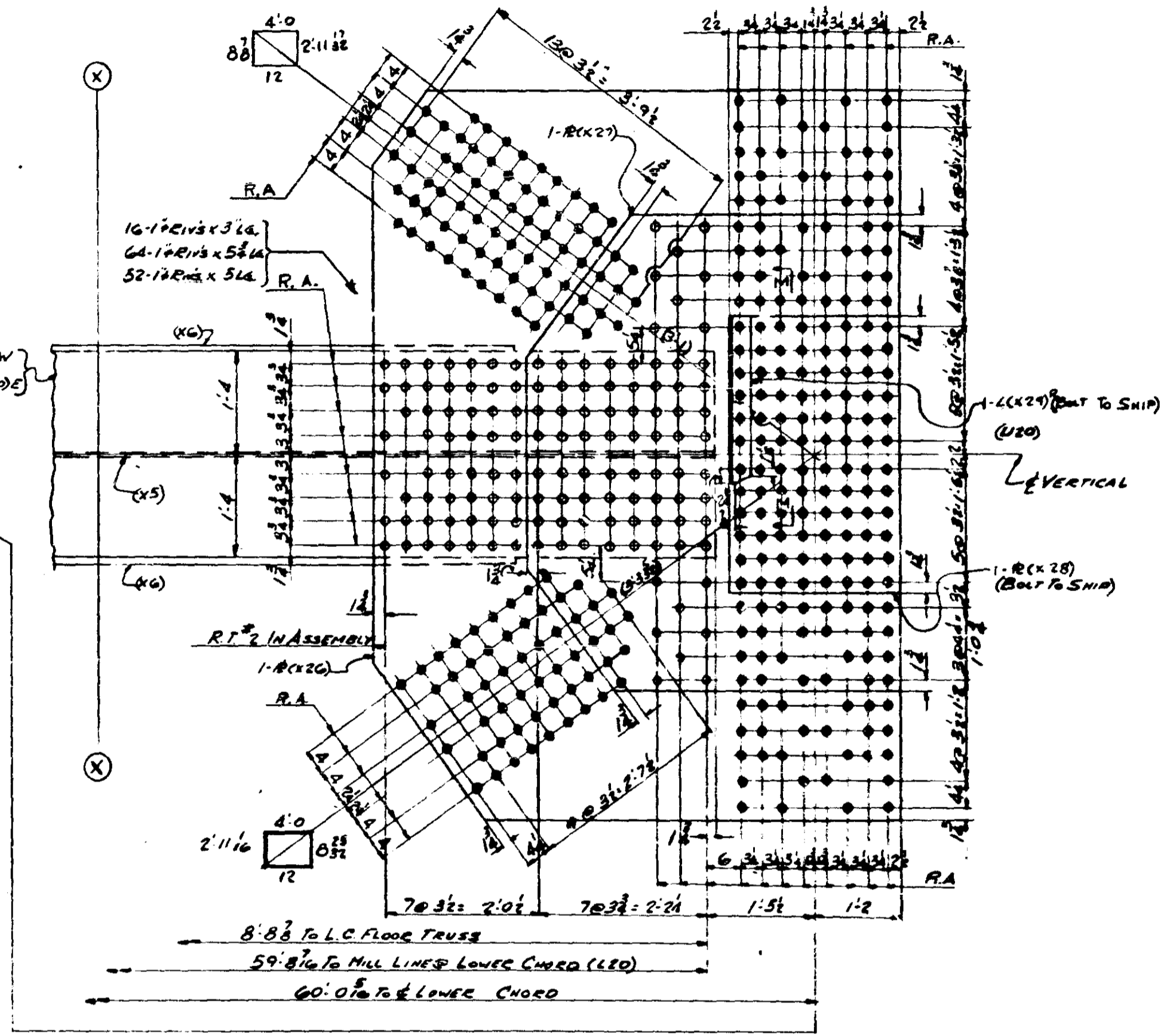
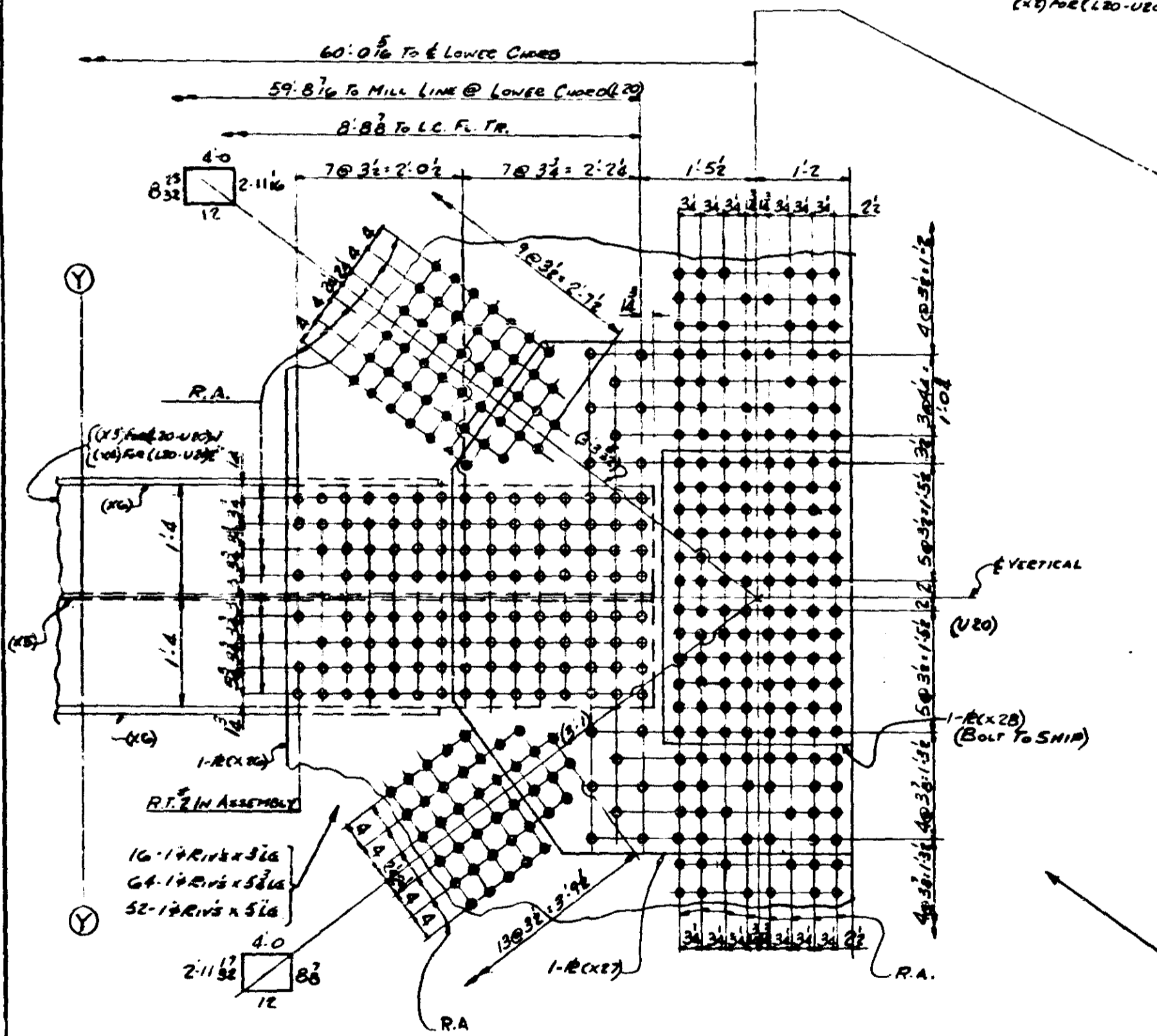
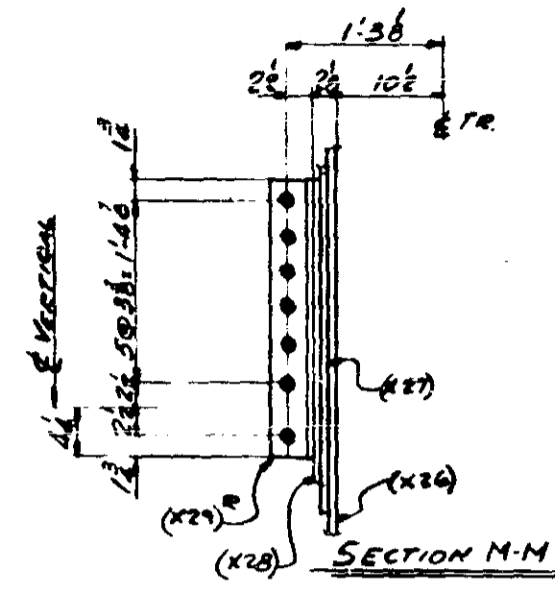
CONTRACT 3142 FABCOD 224 SHEET 706 AD



UPPER CHORD GUSSET'S @ UB

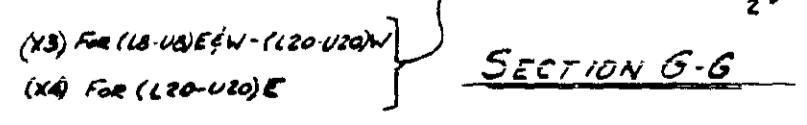
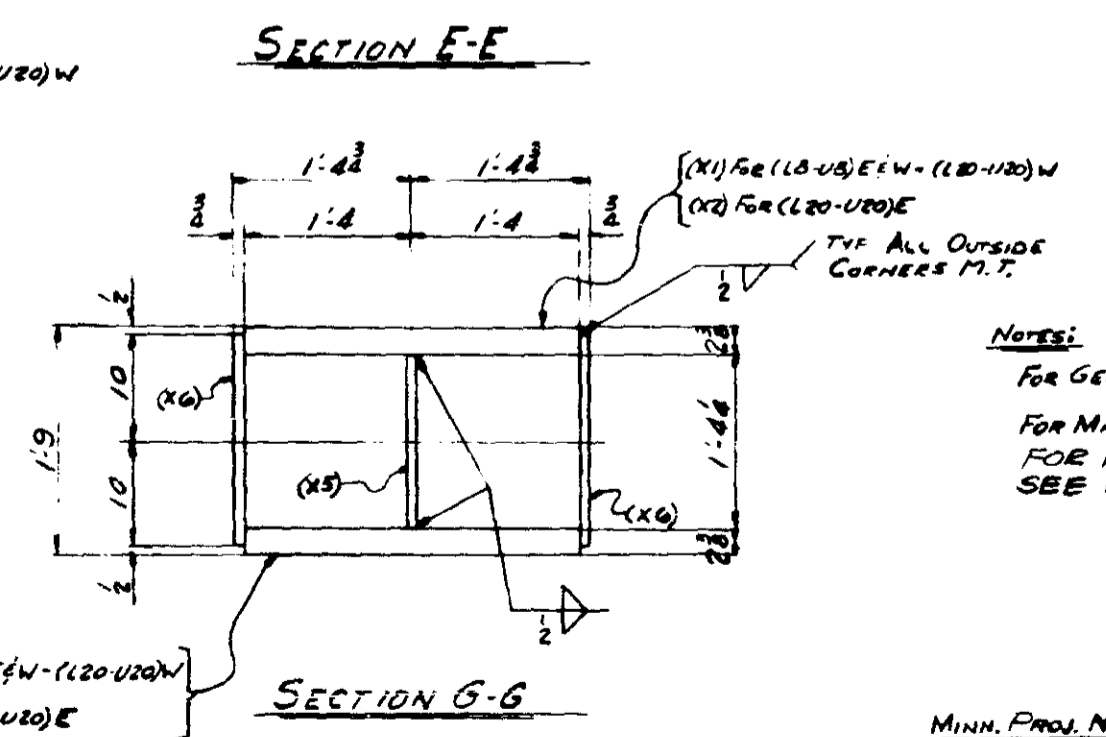
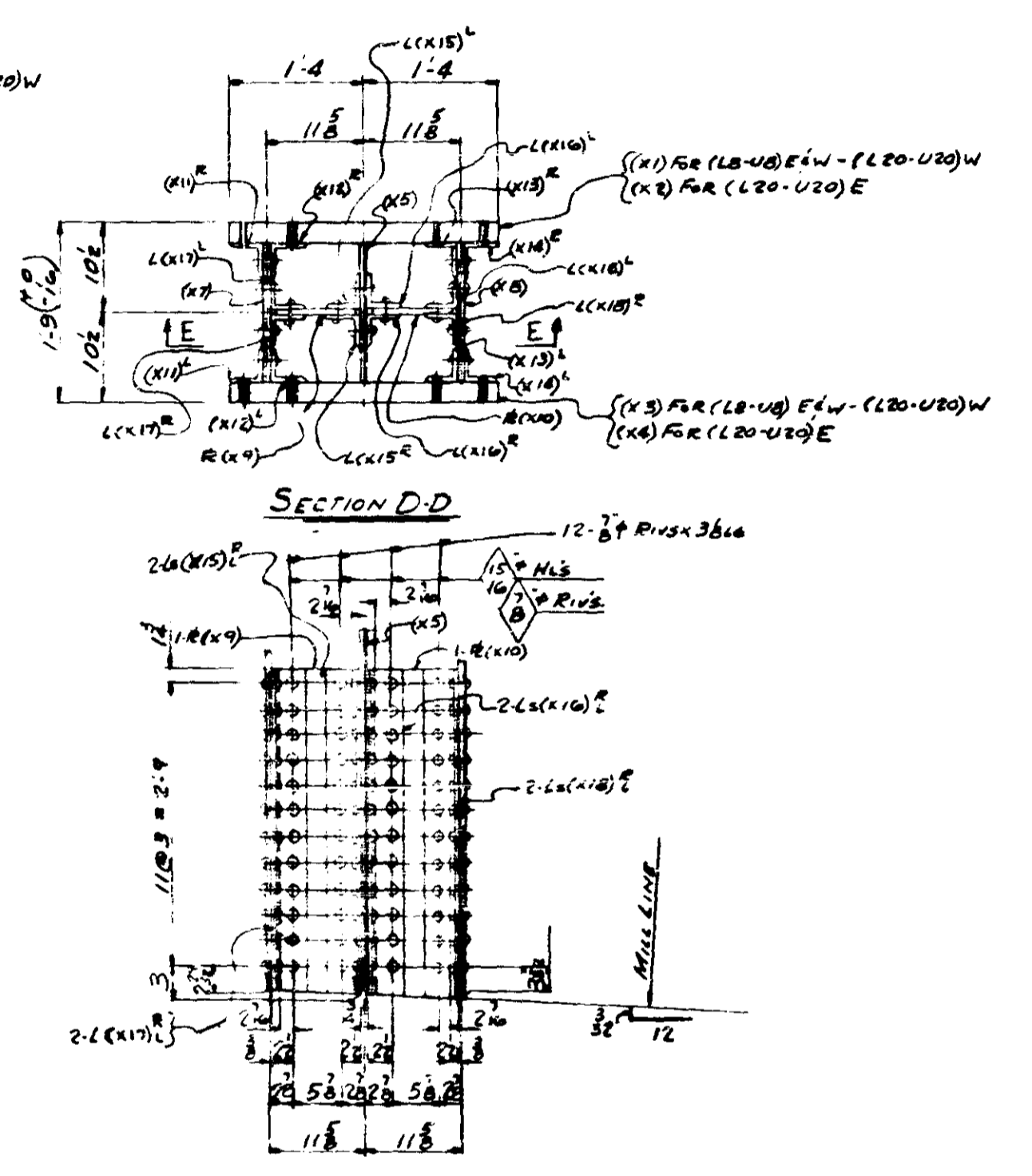
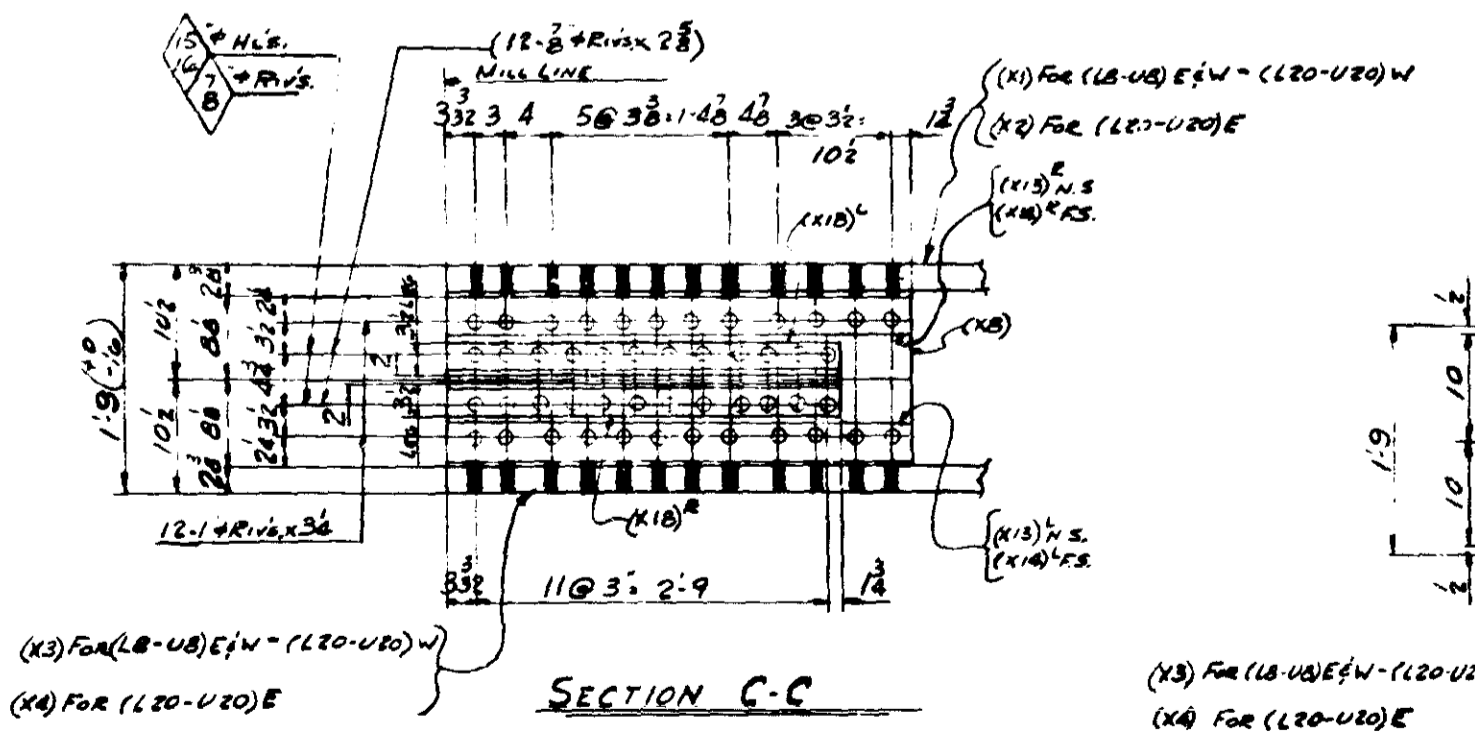
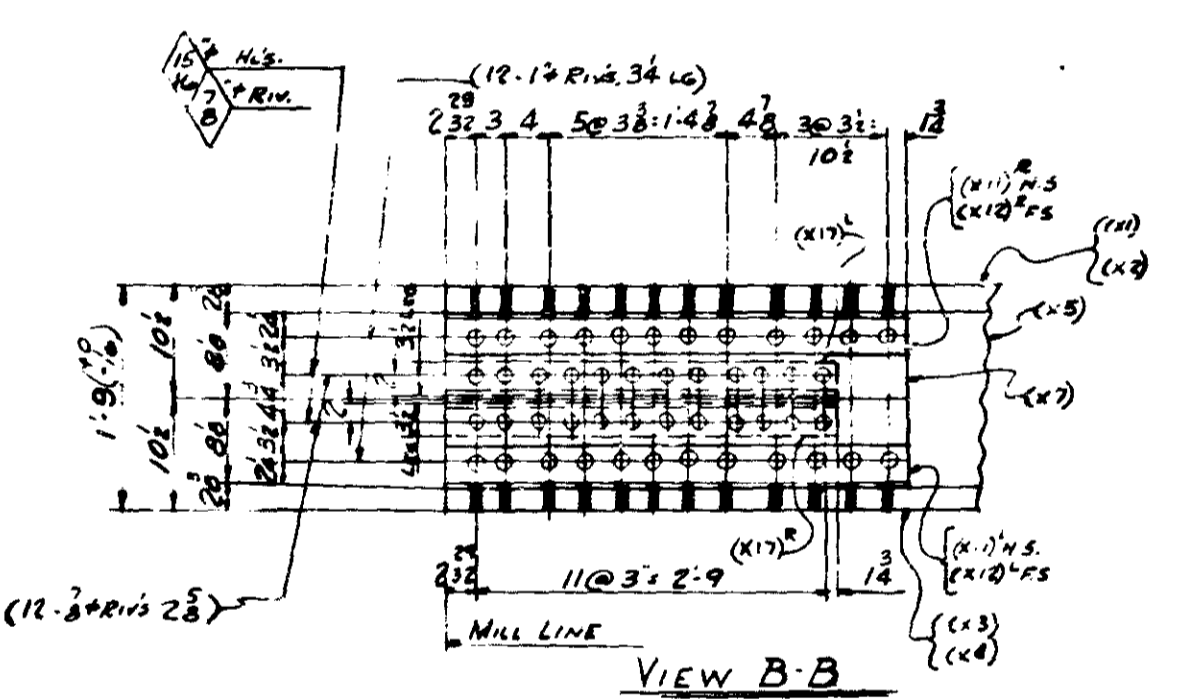
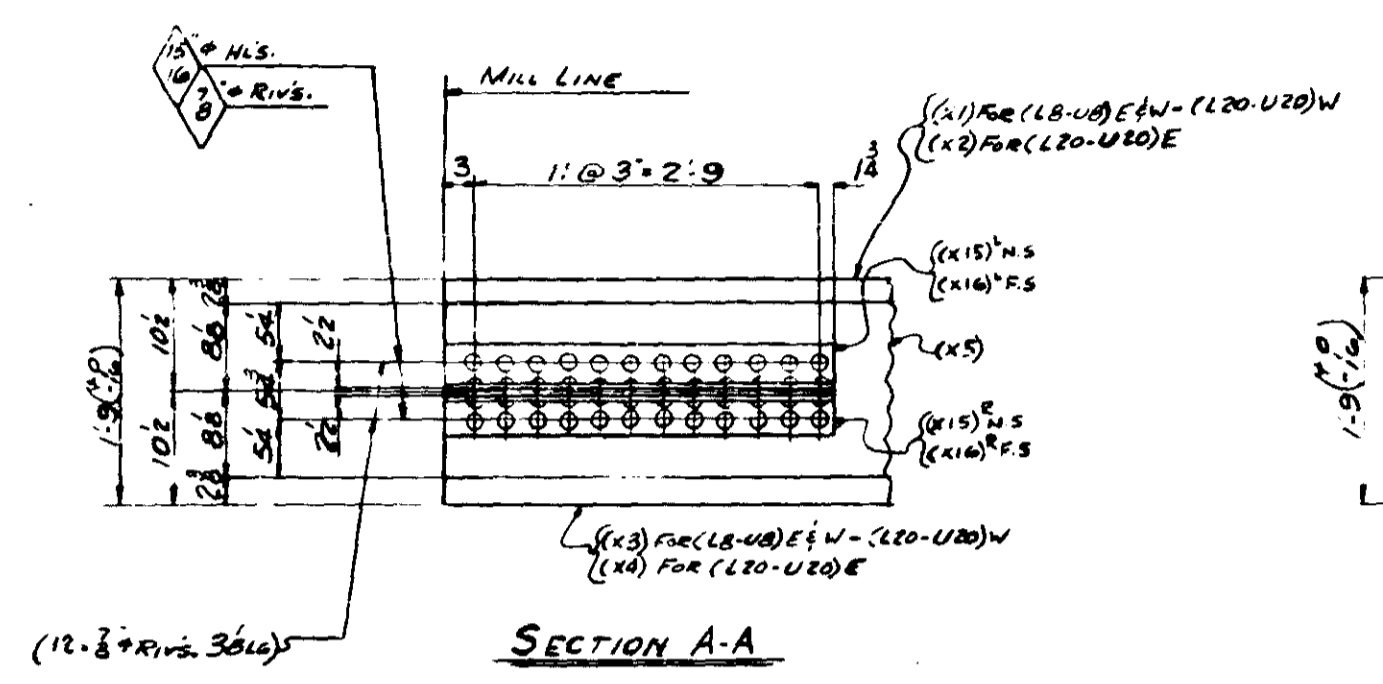
MINN. PROJ. NE I-2635W-3(58)112
 STATE PROJ. NE 2783-93408 (TH35W-39)

ALLIED		STRUCTURAL STEEL COMPANY	
ENGINEERS FABRICATORS ERECTORS		1225 12TH STREET, HANMOND, INDIANA 46342	
DRAWN BY: L.O. DATE: 4-7-66		DETAILS OF: VERTICAL (UB TO LB)	
CHECKED BY: _____ DATE: _____		STRUCTURE: BRIDGE # 9540	
IN CHARGE OF: _____		LOCATION: MINNEAPOLIS, MINNESOTA	
FAB. PLANT: HANMOND		OWNER: MINNESOTA STATE HWY. DEPT.	
REFERENCE DWGS: _____		CONTRACT: 3142	
REVISIONS:		DIV. 7	
Q	U	FABCOD 224	
B	A	SHEET 706 BD	
4			



MINN. PROJ. NO. 1-1635W-3 (20) 112
 STATE PROJ. NO. 703-9340B (TH35W-394)

ALLIED ENGINEERS FABRICATORS ERECTORS		STRUCTURAL STEEL COMPANY 1400-1500 ST. STREET, HAMMOND, IND. 46320	
DRAWN BY: <u>L.P.</u> DATE: <u>4-11-66</u>		DETAILS OF: <u>VERTICAL (U20 TO L20)</u>	
CHECKED BY: _____ DATE: _____		STRUCTURE: <u>BRIDGE # 9340</u>	
IN CHARGE OF: _____		LOCATION: <u>MINNEAPOLIS, MINNESOTA</u>	
FAB. PLANT: <u>HAMMOND</u>		OWNER: <u>MINNESOTA STATE HWY. DEPT.</u>	
REFERENCE DWGS: _____		CONTRACT: <u>3142</u>	
REVISIONS		DIV. <u>7E11</u> FABCOD <u>224</u> SHEET <u>706CD</u>	
Q	U	B	<



NOTES:
 FOR GENERAL NOTES SEE SHF GNI
 FOR MAT'L SPECS. SEE BILL OF MAT'L.
 FOR INSPECTION OF WELDS
 SEE NOTE ON SHF GNI

D.V.	NO.	SHIP MK.	NO. REQD.	SHAPE	LENGTH	PC. MK.	REMARKS	LN. NO.	TOTAL WEIGHT		
7	11		1								
1	1		2	ONE VERTICAL-706 (LB-UB) W							
1	1		3	ONE VERTICAL-706 (L20-U20) W					113 x 60		
1	1		4	ONE VERTICAL-706 (LB-UB) E (OPR HAND)							
1	1		5	ONE VERTICAL-706 (L20-U20) E (OPR HAND)							
3	32		3	R 32 x 2 1/2	59.10	X1	FOR (L20-U20) E	102	60	46903	3309
3	32		4	R 32 x 2 1/2	59.10	X2	FOR (L20-U20) W	102	60	15468	3309
3	32		5	R 32 x 2 1/2	59.10	X3	FOR (L20-U20) E (OPR HAND)	102	60	46903	3309
3	32		6	R 32 x 2 1/2	59.10	X4	FOR (L20-U20) W (OPR HAND)	102	60	15468	3309
4	16		4	R 16 x 3/4	59.10	X5	M.I.E.	103	61	9921	3310
8	20		8	R 20 x 3/4	52.98	X6		104	61	21548	3310
4	16		4	R 16 x 3/4	3.75	X7	M.I.E.	105	59	607	3306
4	16		4	R 16 x 3/4	3.81	X8		105	59	609	3306
4	16		4	R 16 x 3/4	3.12	X9		106	59	395	3306
4	16		4	R 16 x 3/4	3.12	X10		106	59	395	3306
8	15		8	L 5/8 x 4 x 3/8	3.75	X11		107	59	287	3306
8	15		8	L 5/8 x 4 x 3/8	3.75	X12		107	59	287	3306
8	15		8	L 5/8 x 4 x 3/8	3.81	X13		107	59	288	3306
8	15		8	L 5/8 x 4 x 3/8	3.81	X14		107	59	288	3306
8	15		8	L 5/8 x 4 x 3/8	3.12	X15		108	59	297	3306
8	15		8	L 5/8 x 4 x 3/8	3.12	X16		108	59	297	3306
8	15		8	L 5/8 x 3/8 x 3/8	3.12	X17		109	59	229	3306
8	15		8	L 5/8 x 3/8 x 3/8	3.12	X18		109	59	229	3306
8	15		8	L 5/8 x 3/8 x 3/8	2.08	X19		112	59	267	3306
8	15		8	L 5/8 x 3/8 x 3/8	3.6	X20		113	59	274	3306
8	15		8	R 2 1/2 x 3/8	3.6	X21		114	59	768	3306
4	16		4	1/4" RIV.							
4	16		4	3 WLD.	470						
4	16		4	R 8 x 3/8	9.4		FOR (L20-U20) W	404	62	4083	3318
4	16		4	R 5 1/2 x 3/8	6.2		FOR (L20-U20) W	405	62	3758	3318
4	16		4	R 2 1/2 x 3/8	5.6		U.M.	406	62	1018	3318
2	16		2	L 4 x 4 x 3/8	2.12			411	59	42	3306
4	16		4	R 8 x 3/8	9.4		FOR (L20-U20) W	404	62	4079	3318
4	16		4	R 5 1/2 x 3/8	6.2		FOR (L20-U20) W	405	62	3755	3318
4	16		4	R 2 1/2 x 3/8	3.6		U.M.	406	62	1011	3318
2	16		2	L 4 x 4 x 3/8	2.12			425	59	42	3306
									BID ITEM	59	5401
										60	123742
										61	31469
									do	62	22904

ALLIED STRUCTURAL STEEL COMPANY
 1000 W. WASHINGTON ST. MINNEAPOLIS, MINN. 55402

MINN. PROJ. NO. I-1655 W-3(58) 112
 STATE PROJ. NO. 2783 9310 B (THS5 W-394)

HAMMOND FAB DIVISION 5711

DETAILS OF VERTICALS (UB TO LB) & (U20 TO L20)
 STRUCTURE BRIDGE NO. 9340
 LOCATION MINNEAPOLIS, MINNESOTA
 OWNER MINNESOTA STATE HWY. DEPT.
 CUSTOMER MINNESOTA STATE HWY. DEPT.

OPEN HOLES 1 1/8" UN RIVETS & BOLTS 1" UN. PAINT YES SEE SHF GNI

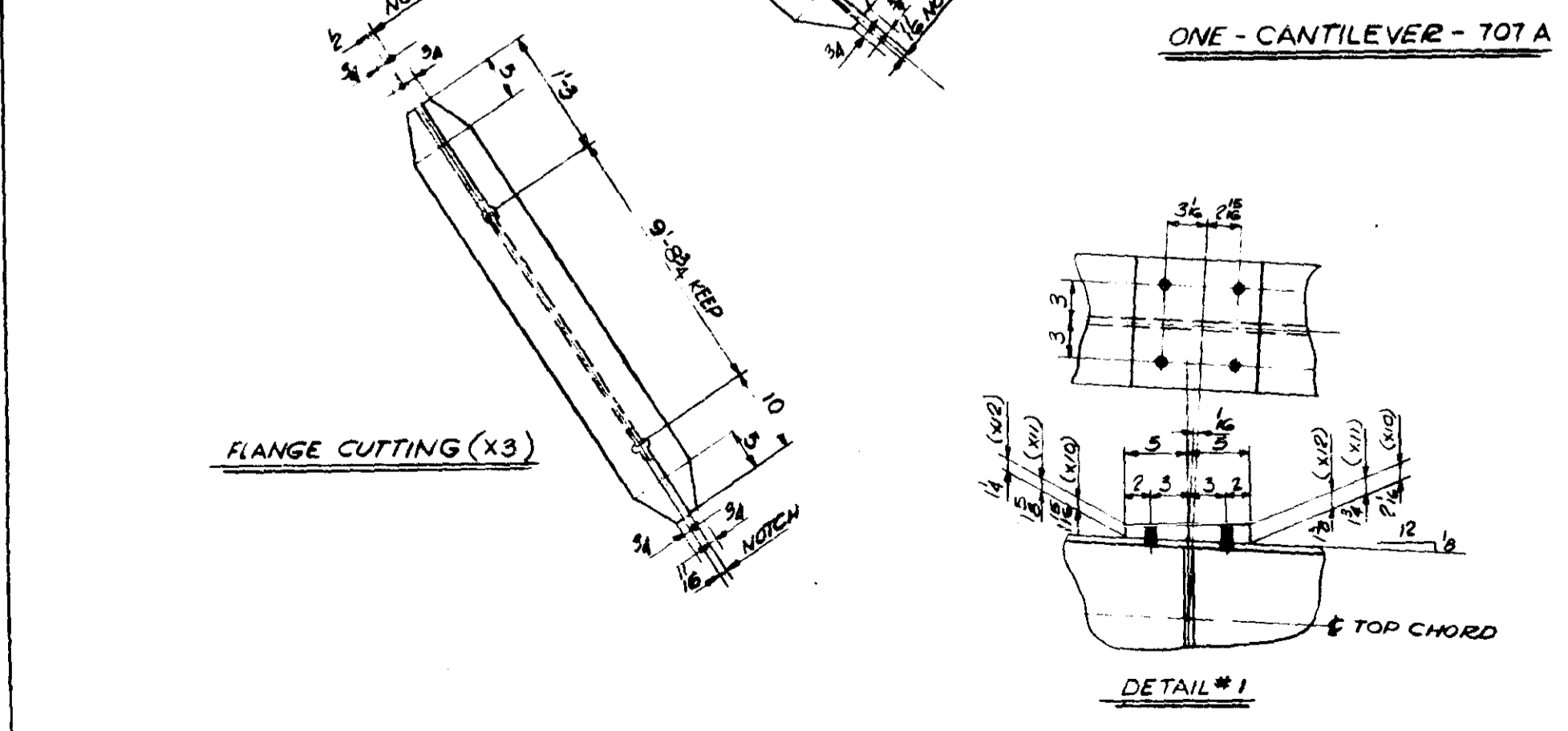
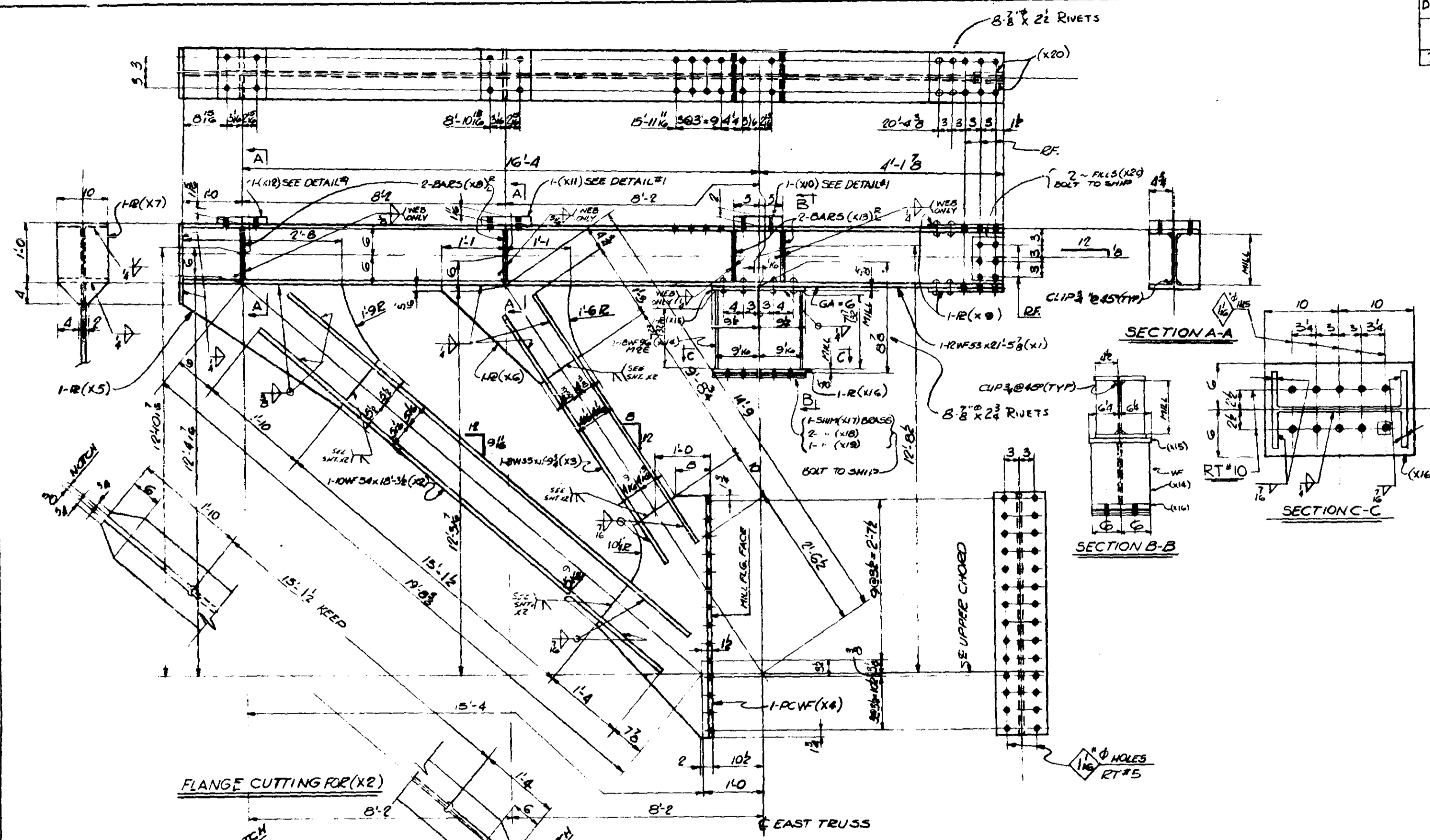
DRAWN BY L.O. DATE 1-4-66 CHECKED BY G.N. DATE

REVISIONS

△	△	△	△
---	---	---	---

 3-23-67

CONTRACT 3142 FABCOD 224 SHEET 706 D



SHOP NOTE:
 FOR GEN. NOTES SEE GNI
 FOR MAT'L SPEC'S SEE BILL OF MAT'L.
 FOR X-RAY IDENTIFICATION NO. SEE SH. "WI"
 FOR WELD SEQUENCE & WELDING OF
 TRUSS WEB MEMBER SEE SH. XI & X2
 FOR INSPECTION OF WELDS SEE NOTE
 ON SH. GNI

D.W.	#	SHIP MK	NO REG	SHAPE	LENGTH	PC MK	REMARKS	ITEM NO.	WT. LBS.	TOTAL WEIGHT	H.O. NO.
7	3			TOTAL ONE CANTILEVER (70 X 22'4")							
	5	1		12WF53	21'5 3/4 X1			426	59	1139	3306
	6	1		10WF54	18'3 1/2 X2			472	59	988	3306
	7	1		8WF35	11'9 3/4 X3			472	59	413	3306
	8	1		PC30WF108	4'1" X4			472	59	41	3306
	9	1		R 24 X 3	3'3 1/2 X5			472	59	135	3306
	10	1		R 18 X 3	2'6 1/2 X6			472	59	60	3306
	11	1		R 10 X 3	1'4" X7			472	59	17	3306
	12	4		BAR 4 X 2	0'10 1/2 X8		P.M.P.E.	472	59	29	3306
	13	2		FILL 10 X 1 1/2	1'3" X9		NO PART WT. PER LINE 23	472	59	57	3306
	14	1		R 10 X (18-26)	0'10" X10		B.I.S.	472	59	57	3306
	15	1		R 10 X (18-13)	0'10" X11		B.I.S.	472	59	48	3306
	16	1		R 10 X (14-13)	0'10" X12		B.I.S.	472	59	37	3306
	17	4		BAR 4 X 2	0'10 1/2 X13		P.M.P.E.	472	59	28	3306
	18	1		1/4 WLD	53'3"						NC
	19	1		3/8 WLD	3'4"						
	20	1		1/2 WLD	21'3"						
	21	1		3/8 WLD	16'9"						
	22	2		FILL 6 X 6	0'9" X20		NO PART WT. PER LINE 23	472	59	3	3306
	23	2		R 10 X 16	0'9" X		NO PART WT. PER LINE 23	472	59	3	3306
	24	1		10WF56	0'7 1/2 X10		M.P.E.	472	59	62	3306
	25	1		R 12 X 5	1'7" X15			472	59	42	3306
	26	1		R 12 X 5	1'8" X16			472	59	43	3306
	27	1		BRASS SHIM 1/8"	1'8" X17			472	59	5	3331
	28	2		SHIM 1/8"	1'8" X18			472	59	17	3306
	29	1		R 12 X 6	1'8" X19			472	59	17	3306
	30	16		3/8 RIV.							NC
	31	10		S.B.							NC
	32										
	33										
	34										
	35										
	36										
	37										
	38										
	39										
	40										
	41										
	42										
	43										
	44										
	45										
	46										
	47										
	48										
	49										
	50										
	51										
	52										
	53										
	54										
	55										
	56										
	57										
	58										
	59										
	60										
	61										
	62										
	63										
	64										
	65										
	66										
	67										
	68										
	69										
	70										
	71										

ALLIED STRUCTURAL STEEL COMPANY
 ENGINEERS, FABRICATORS, ERECTORS
 1525 15TH STREET, HANCOCK, INDIANA 46848

DETAILS OF: **CANTILEVER 8 FT #6 (EAST TRUSS)**
 STRUCTURE: **BRIDGE NO. 9340**
 LOCATION: **MINNEAPOLIS, MINNESOTA**
 OWNER: **MINNESOTA STATE HIGHWAY DEPT.**
 CUSTOMER: **MINNESOTA STATE HIGHWAY DEPT.**

MINN. PROJ. NO. I-1635W-3(38)112
 STATE PROJ. NO. 2783-9340B (7435W-394) **CLINTON FAB.**

OPEN HOLES: 1/2" UN RIVETS & BOLTS: 3/8" PAINT: YES-SEE SH. GNI

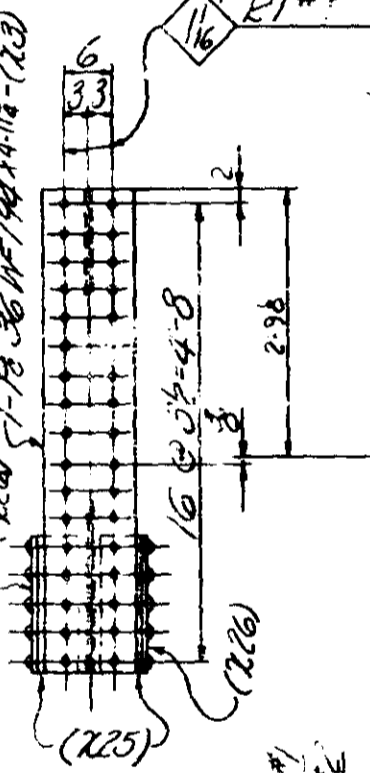
DRAWN BY: **B** DATE: 1-18-66 CHECKED BY: **C.N.** DATE: _____

REVISIONS: Δ 2-7-67 Δ Δ Δ

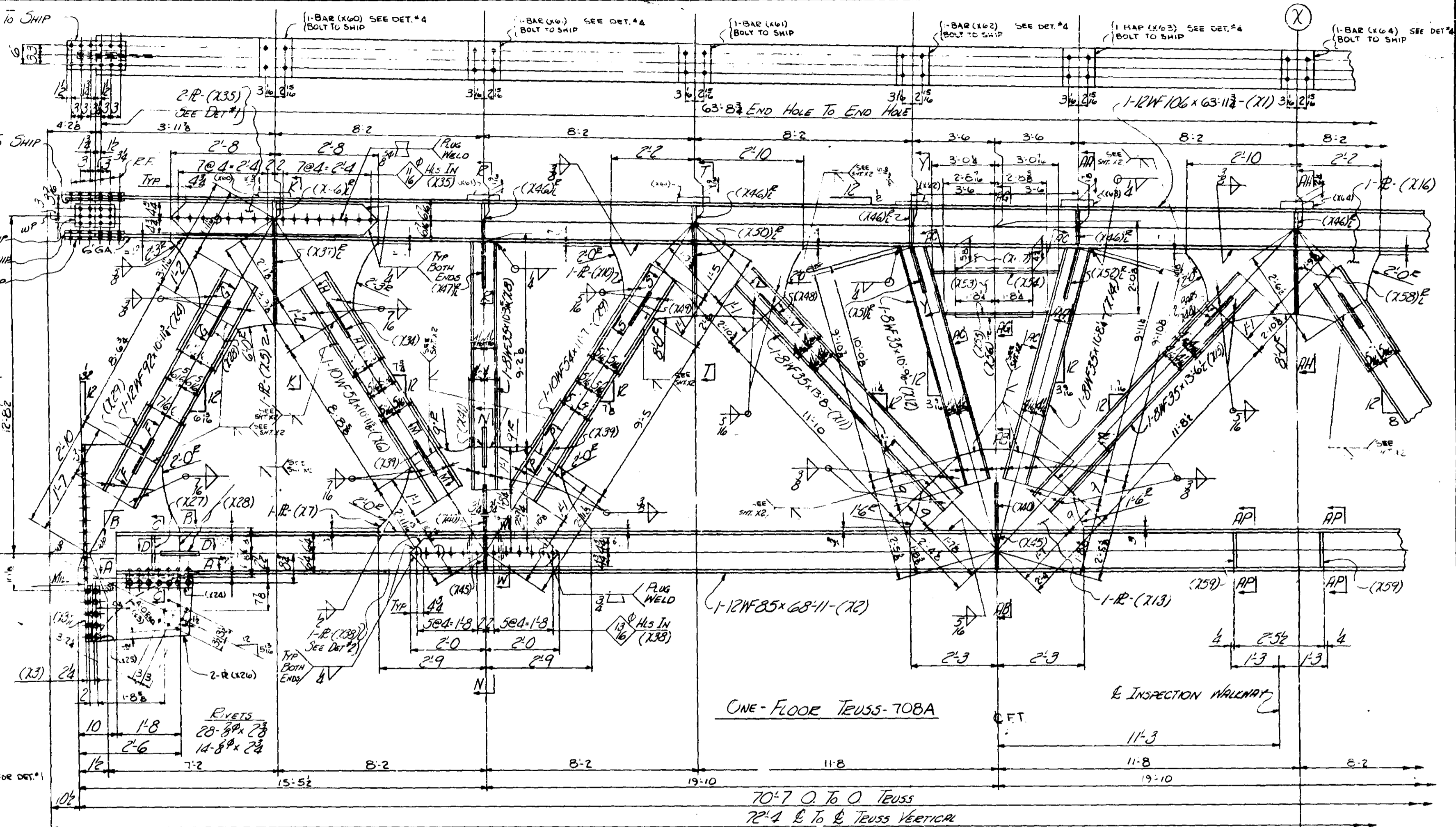
CONTRACT: **3142** FABCOD: **244** SHEET: **707**

NOTE
FOR FLANGE LOTS OF
WEB MEMBERS SEE
DETAILS ON SHIP TOED

2-BARS-(231)-BOLT TO SHIP
2-R-(230)-BOLT TO SHIP
2-BARS-(231)-BOLT TO SHIP
1-R-(230)-BOLT TO SHIP



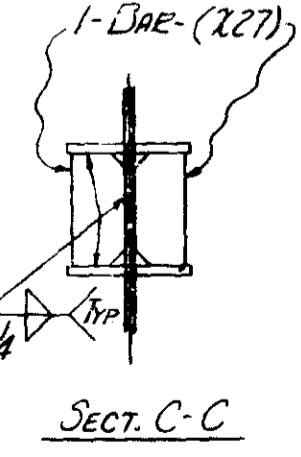
FULL WITH WELD
TYP. T&B
(125) FOR DET #1
DET #1
DET #2



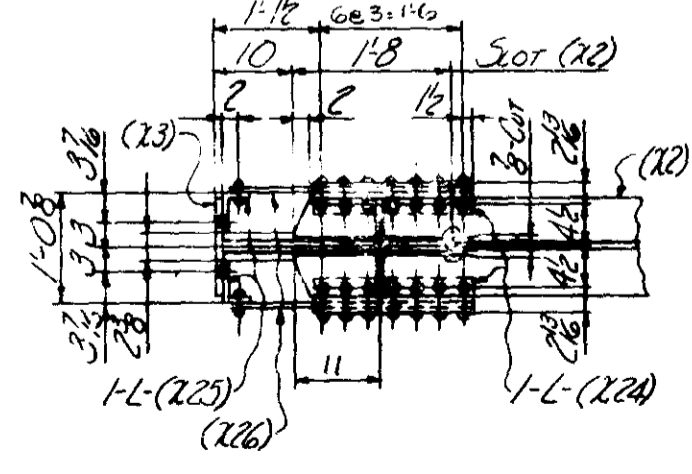
ONE-FLOOR TRUSS-TOBA & INSPECTION WALKWAY

70'-7" O to O Truss
72'-4" E to E Truss Vertical

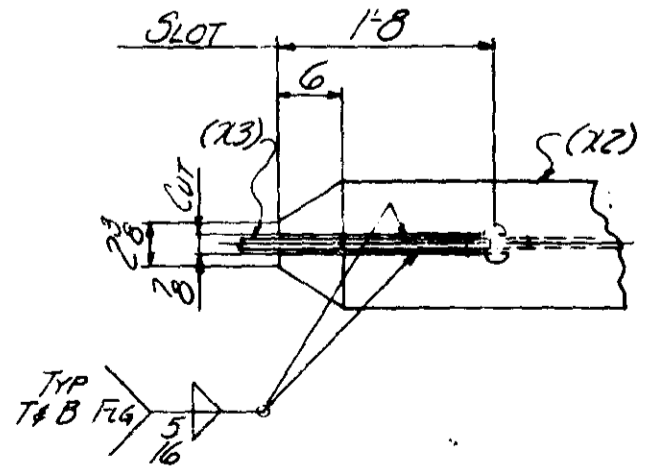
MATCH LINE



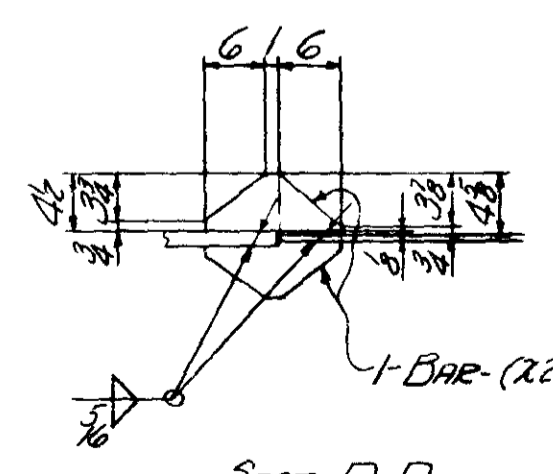
SECT. C-C



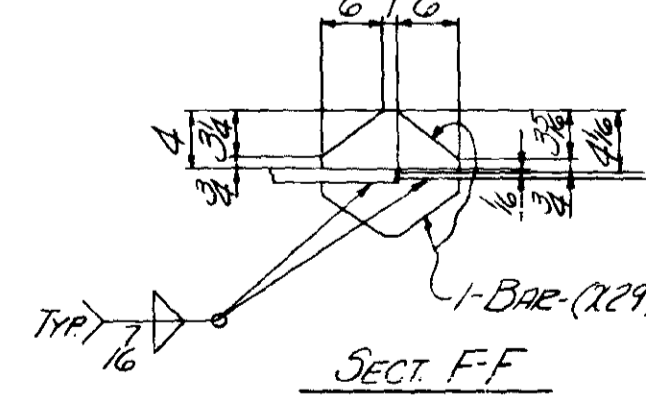
SECT. A-A
SECT. AN-AN (OPP. HD.)



SECT. B-B
SECT. AM-AM (OPP. HD.)



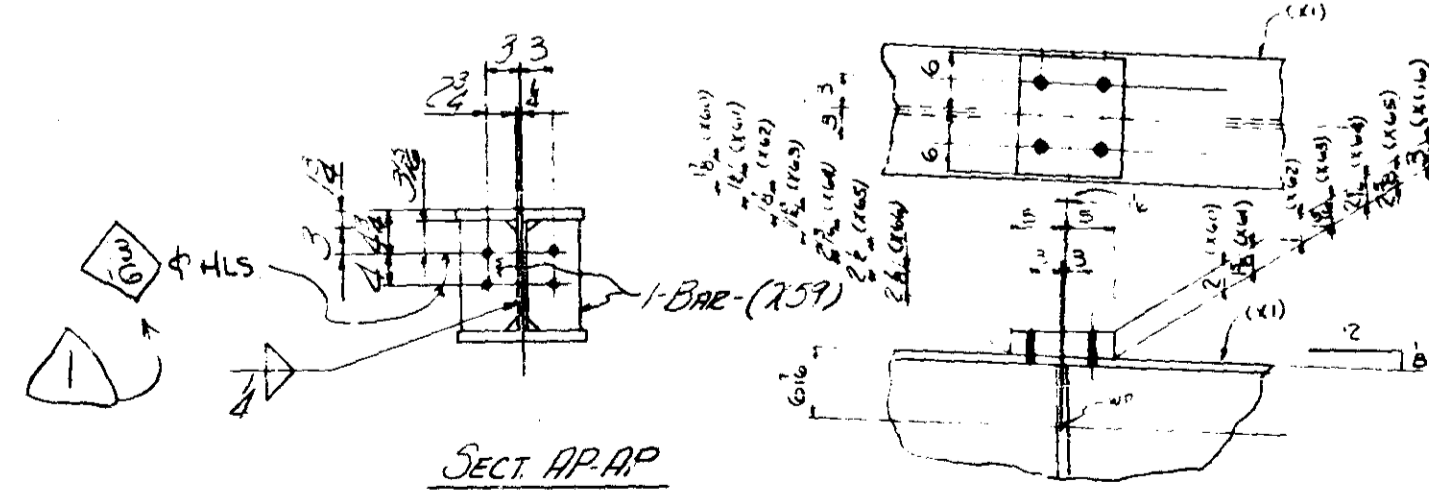
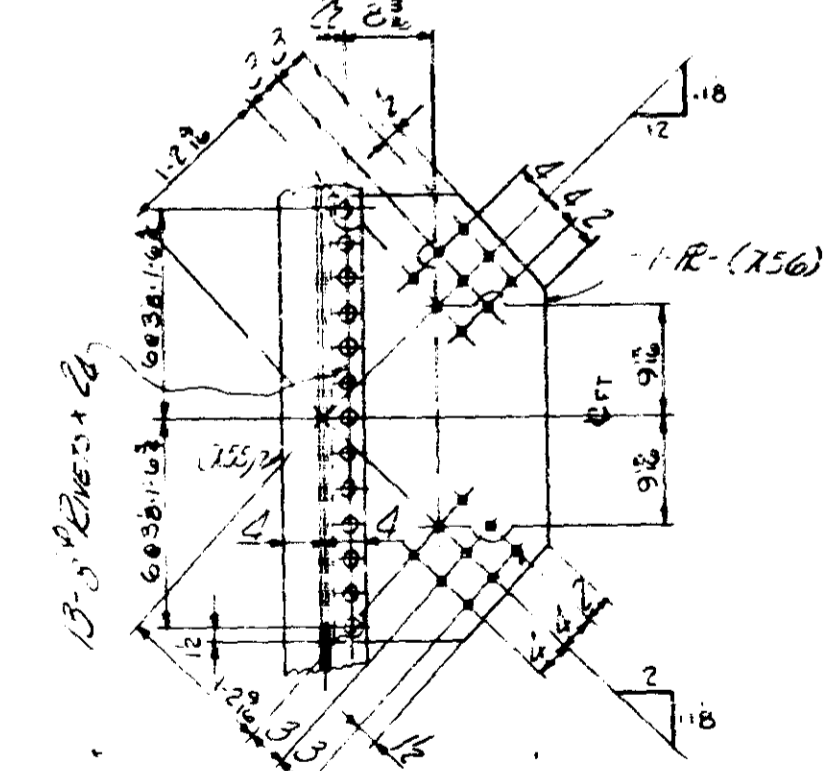
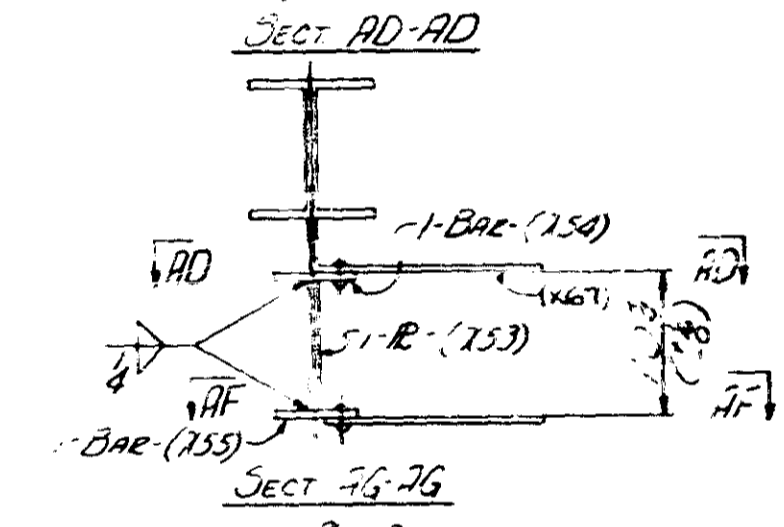
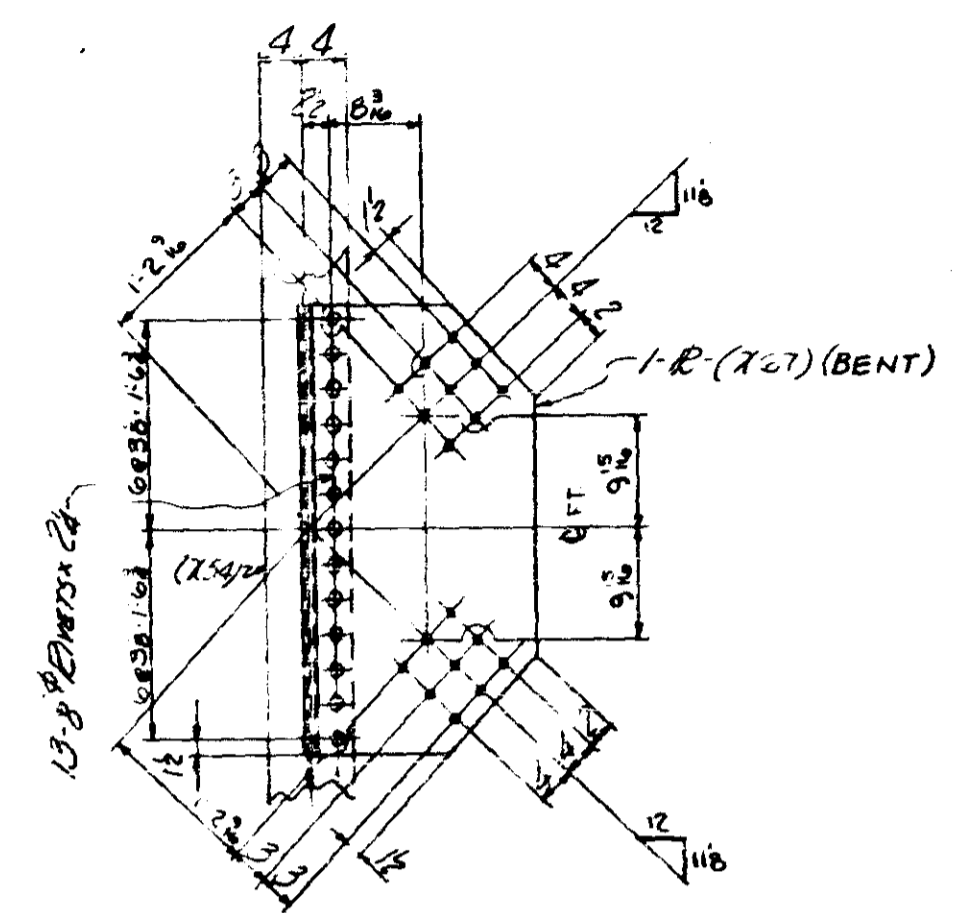
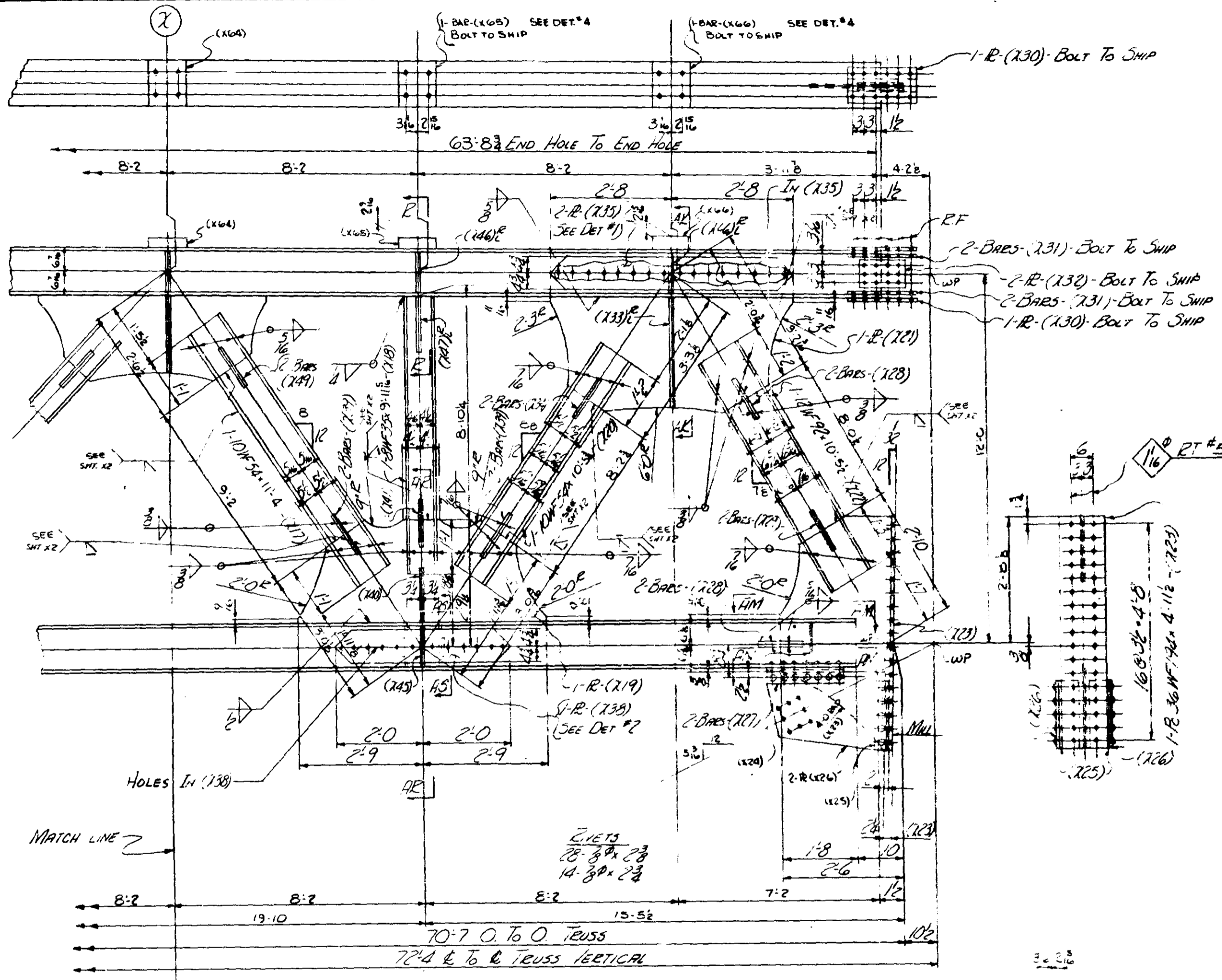
SECT. D-D



SECT. F-F

MINN PROJ IIG 85W-8 (88) 112
STATE PROJ 2783-9340B (85W-394)

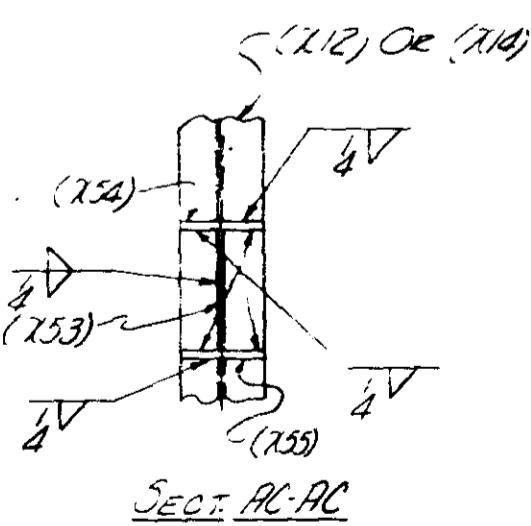
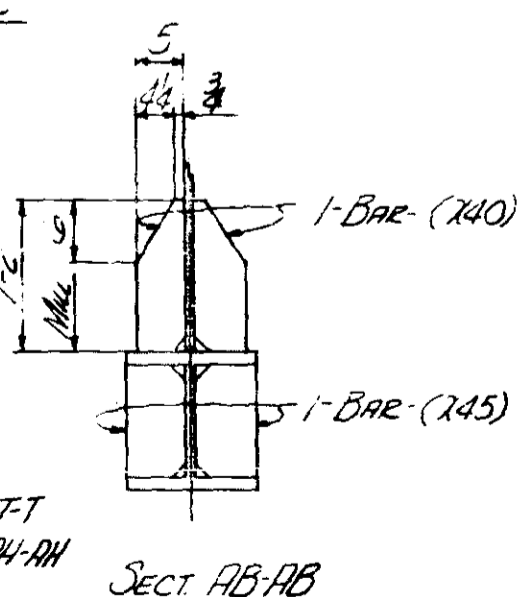
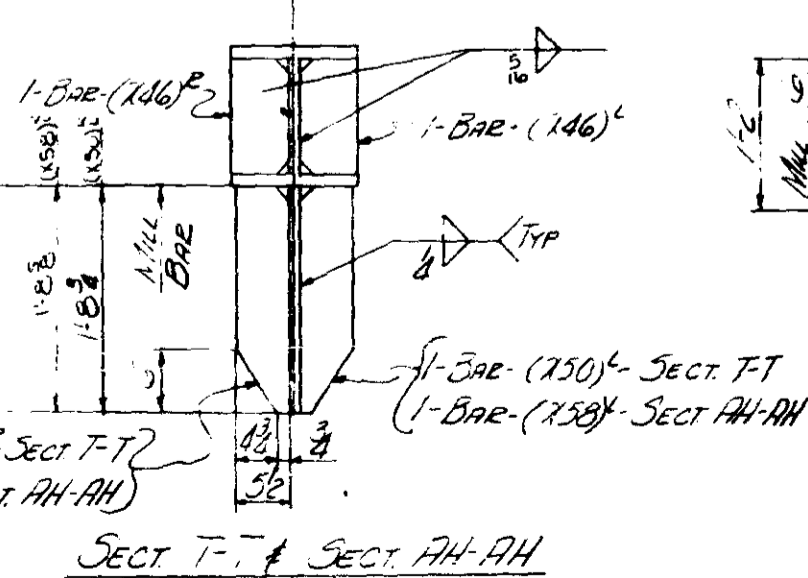
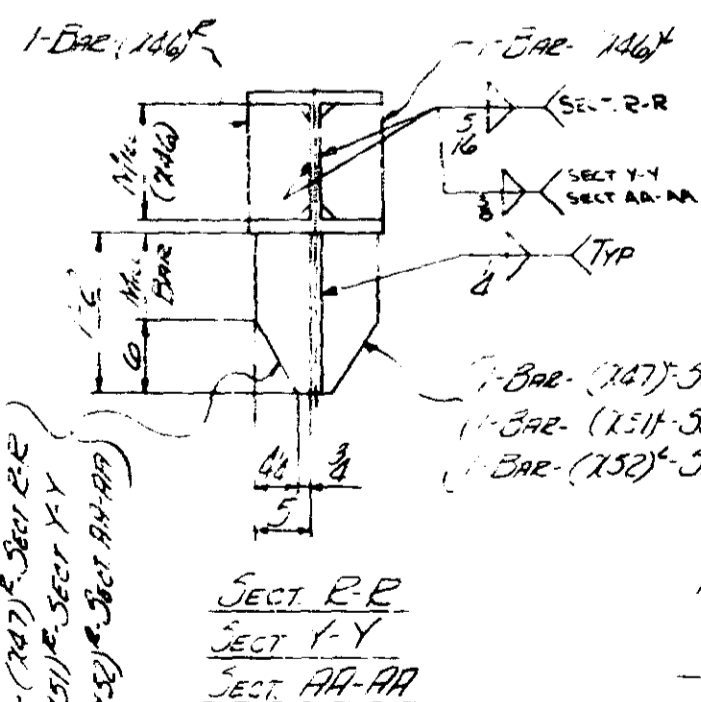
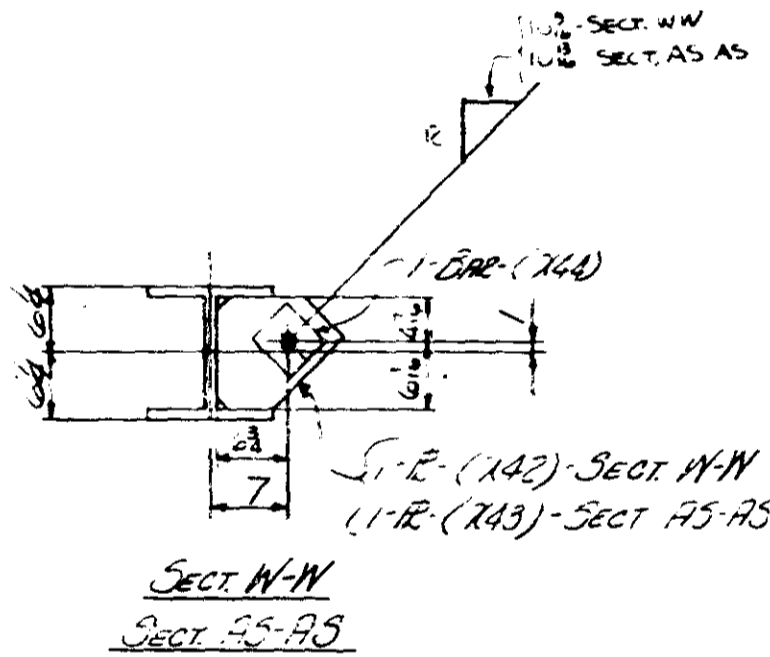
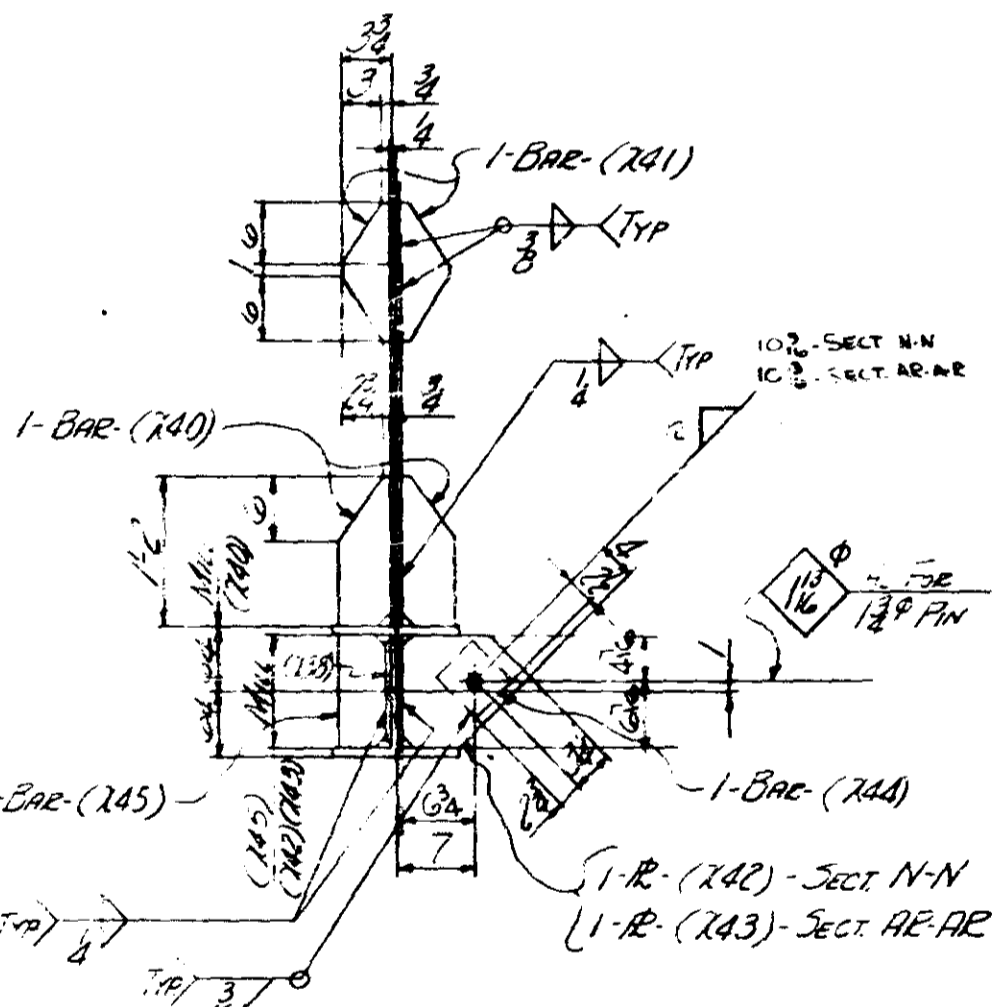
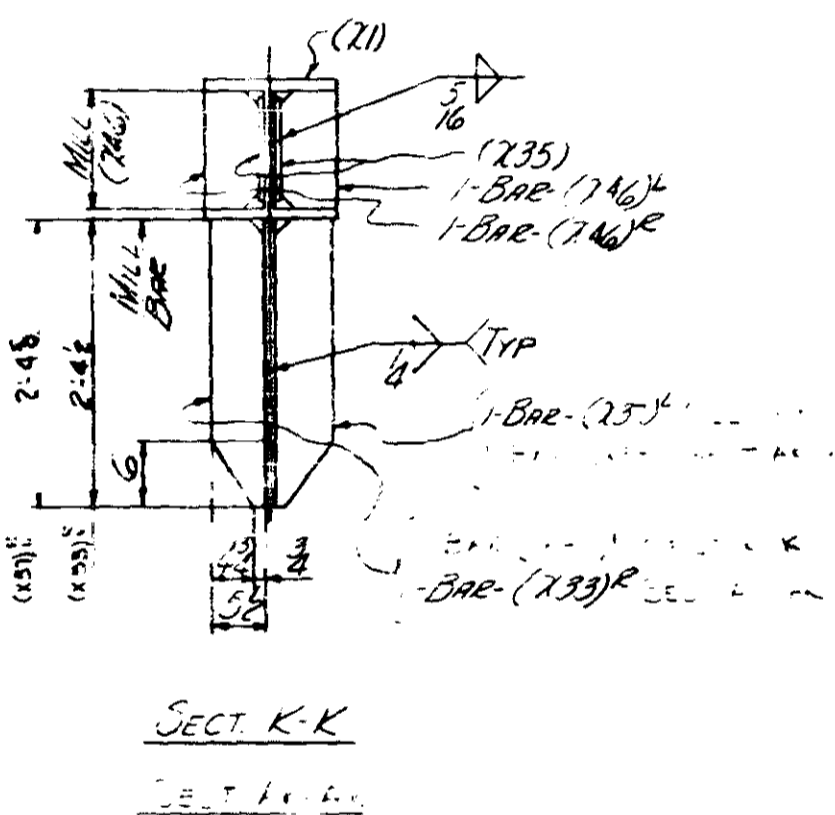
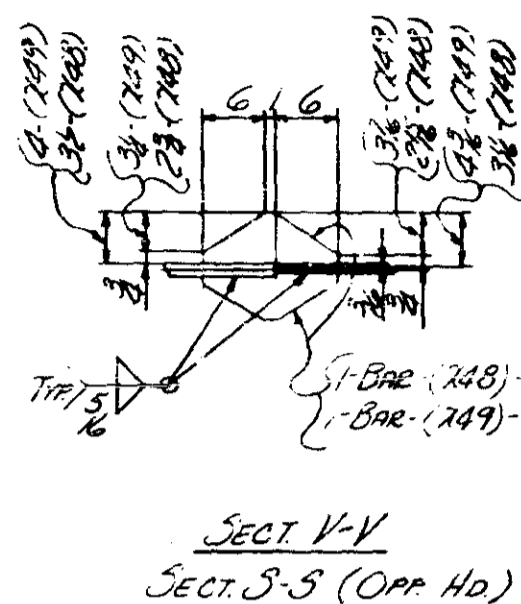
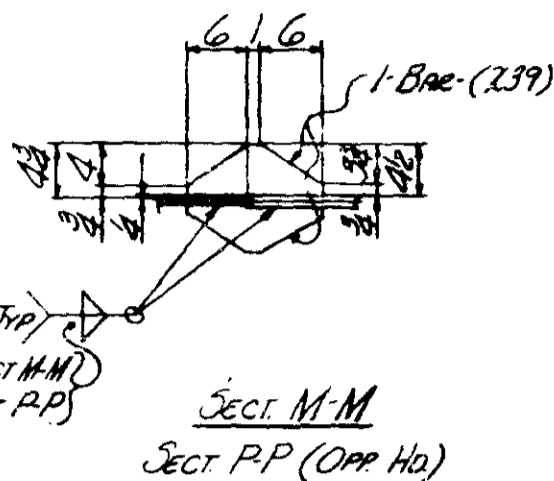
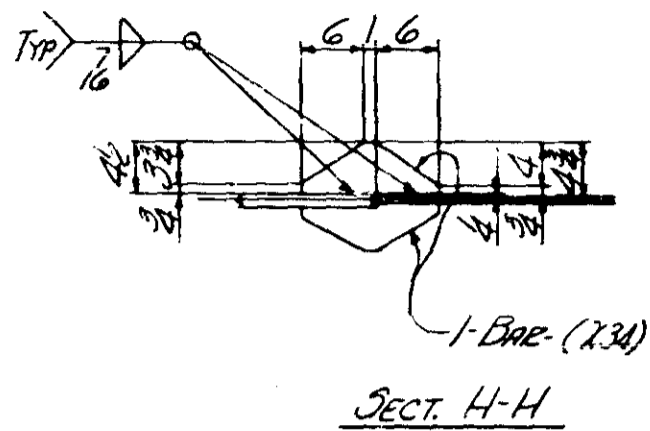
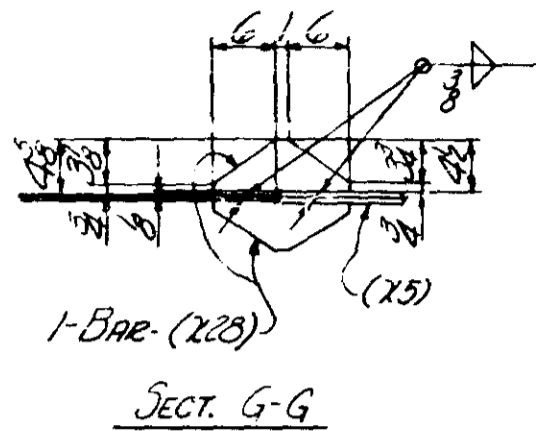
ALLIED ENGINEERS FABRICATORS ERECTORS		STRUCTURAL STEEL COMPANY 1415 15TH STREET, HARBOR, MINN. 55404	
DRAWN BY <i>PH</i> DATE 2-9-65		DETAILS OF FLOOR TRUSS @ U6	
CHECKED BY <i>ZJ</i> DATE		STRUCTURE BRIDGE NO. 9340	
IN CHARGE OF John Newell		LOCATION MINNEAPOLIS, MINN.	
FAB PLANT CLINTON		OWNER MINN. STATE HWY DEPT.	
REFERENCE DWGS. E11		CONTRACT 3142	
REVISIONS A 2-T-LET		DIV. 7	
Q U B A		FABCOD 284	
		SHEET 7 OF 10	



MINN PROJ 1-16 35W 3(SB)112
STATE PROJ 2-83-9340B (35W-34)

ALLIED STRUCTURAL STEEL COMPANY
ENGINEERS FABRICATORS ERECTORS

REVISIONS	DRAWN BY: <i>FA</i> DATE: 2-10-66	DETAILS OF: FLOOR TRUSS @ JO
	CHECKED BY: <i>SL</i> DATE:	STRUCTURE: BRIDGE No. 9340
	IN CHARGE OF: <i>John Newell</i>	LOCATION: MINNEAPOLIS, MINN.
	FAB PLANT: <i>CLINTON</i>	OWNER: <i>MINN. STATE HWY DEPT</i>
	REFERENCE DWGS: <i>E-11</i>	
	CONTRACT: <i>3142</i>	DIV: <i>T</i>
		FABCOO: <i>714</i>
		SHEET: <i>108/110</i>



LINE	SHIP MK	NO	SHAPE	LENGTH	PC	REMARKS	ITEM NO	BID ITEM	TOTAL WEIGHT	UNIT
1			FLOOR TRUSS							
2										
3										
4										
5										
6			12WF106	63'11 1/2	X	SEE PLAN FOR	4103			
7			12WF106	28'0"	X		59	2968	3306	
8			2 12WF65	17'11 1/2	X		59	2339	3306	
9			12WF85	28'11"	X	SEE PLAN FOR	4102			
10			12WF85	145'8"	X		59	3882	3306	
11			2 12WF65	11'7 1/2"	X		59	1511	3306	
12			1 R 30L3	4'13'7 1/2"	X		4123	966		
13			1 12WF92	0'11'7 1/2"	X		4101	1010		
14			1 R 30L3	5'4'25"	X		4102	476		
15			1 10WF54	10'11'20"	X		4108	592		
16			1 R 27L3	5'6'27"	X		4109	442		
17			1 8WF35	10'3'10"	X		4129	361		
18			1 10WF54	11'7'29"	X		4110	626		
19			1 R 27L3	5'0'20"	X		4104	281		
20			1 8WF35	13'8'21"	X		4111	478		
21			1 8WF35	10'9'12"	X		4112	377		
22			1 R 27L3	4'6'21"	X		4105	176		
23			1 8WF35	10'8'14"	X		4113	374		
24			1 8WF35	13'6'15"	X		4113	474		
25			1 R 27L3	5'0'14"	X		4106	281		
26			1 10WF54	11'4'17"	X		4108	612		
27			1 8WF35	9'11'18"	X		4115	388		
28			1 R 27L3	5'6'27"	X		4109	442		
29			1 10WF54	10'5'10"	X		4116	566		
30			1 R 30L3	5'4'17"	X		4107	476		
31			1 12WF92	10'5'12"	X		4117	962		
32			1 R 30L3	4'13'17"	X		4123	962		
33			4 L 4x3x3/8	9'2'24"	X		4124	69		
34			4 L 5x3x3/8	1'2'24"	X		4125	61		
35			4 R 10x10	2'4'26"	X		4126	343		
36			2 BAR 5x2	2'4'26"	X		59	15	3306	
37			2 BAR 5x2	1'1'10"	X		59	70	3306	
38			4 BAR 5x2	1'1'10"	X		59	22	3306	
39			1 BAR 4x4	1'3'24"	X		59	103	3306	
40			4 R 10x10	1'3'24"	X		4127	62	3306	
41			8 BAR 4x4	1'3'24"	X		4128	47	3306	
42			4 R 10x10	2'4'26"	X		4129	41	3306	
43			2 BAR 5x2	4'4'26"	X		59	45	3306	
44			4 BAR 5x2	1'1'10"	X		59	25	3306	
45			1 BAR 4x4	3'2'	X		59	16	3306	
46			4 R 9x9	5'6'23"	X		59	25	3306	
47										
48										
49										
50			2 BAR 5x2	2'4'26"	X		59	41	3306	
51			2 BAR 5x2	4'4'26"	X		59	97		
52			8 BAR 4x4	1'1'10"	X		59	95	3306	
53			1 BAR 4x4	6'0"	X		59	49	3306	
54			6 BAR 5x2	1'1'10"	X		59	16	3306	
55			3 BAR 5x2	1'1'10"	X		59	10		
56			4 BAR 5x2	1'1'10"	X		59	25		
57			2 R 10x10	3'2'	X		4130	32		
58			4 BAR 5x2	0'5'10"	X		4131	12		
59			4 BAR 5x2	0'10'145"	X		4132	25		
60			16 BAR 5x2	0'10'145"	X		4133	136	3306	
61			4 BAR 5x2	1'2'	X		59	33	3306	
62			4 BAR 5x2	1'1'	X		59	15	3306	
63			4 BAR 5x2	3'3'	X		59	23	3306	
64			1 BAR 4x4	3'2'	X		59	23	3306	
65			2 BAR 5x2	1'8'	X		59	29	3306	
66										
67										
68										
69										
70										
71										

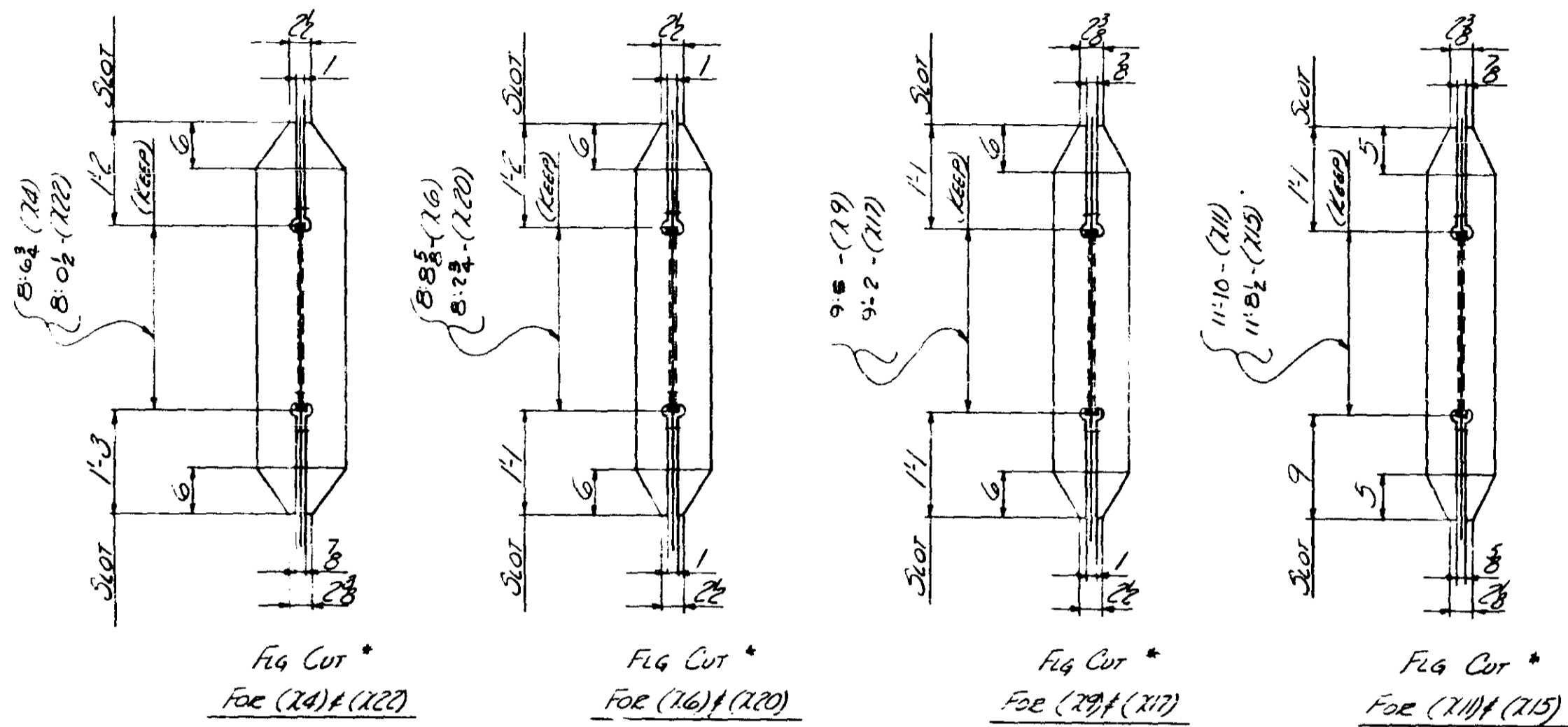
ALLIED STRUCTURAL STEEL COMPANY
 ENGINEERS ARCHITECTS FABRICATORS
 1425 WEST STREET MINNEAPOLIS, MINN. 55402

DETAILS OF FLOOR TRUSS @ J6
 STRUCTURE BRIDGE NO. 9340
 LOCATION MINNEAPOLIS, MINN.
 OWNER MINN STATE HWY DEPT
 CUSTOMER MINN STATE HWY DEPT

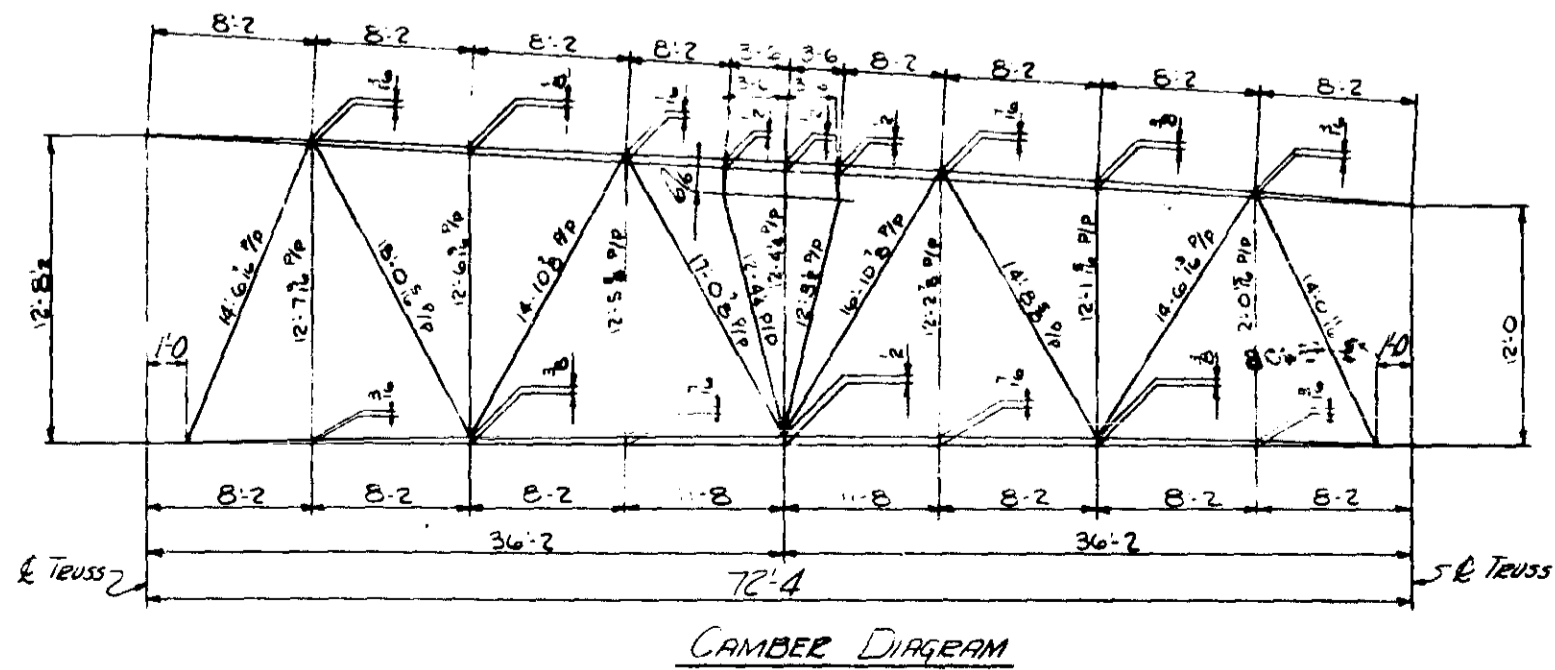
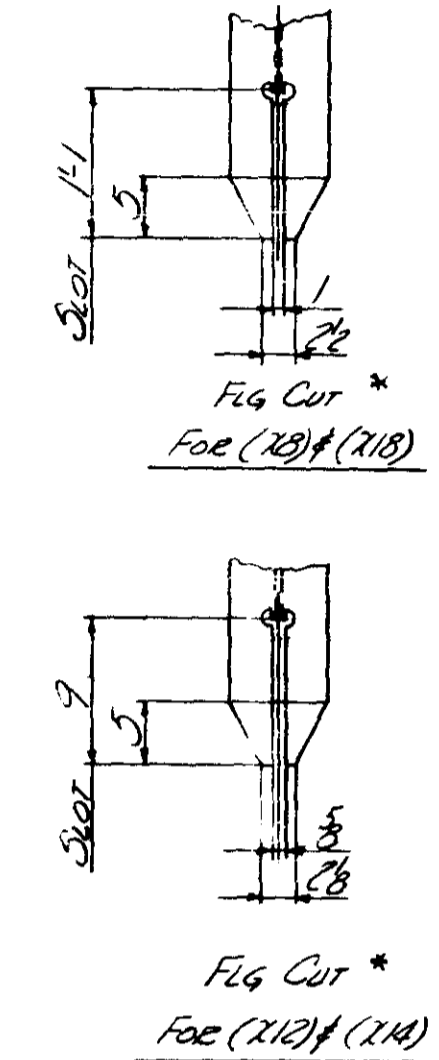
VINN PROJ. NO. I-IG 35W-3 (58) 1/2
 STATE PROJ. NO. 2183-9340B (35W-394)

CLINTON FAB REVISIONS

CONTRACT 3142 FABCOD 244 SHEET 708 CD



* SEE SHT. XI & XII FOR BEVEL CUTS FOR WELDS



CAMBER DIAGRAM

ITEM NO.	SHIP MK	NO REQ	SHAPE	LENGTH	PC MK	REMARKS	ITEM NO.	BID ITEM	TOTAL WEIGHT	NO JOINTS
72		2	BAR 5x6	1 7/8	157	FOR LINE 25	464			
73		1	BAR 5x6	1 1/4	157	FOR LINE 25	59	16	3306	
74		2	BAR 5x6	1 2	157	FOR LINE 25	4814			
75		1	BAR 5x6	1 1/4	157	FOR LINE 25	59	16	3306	
76		1	R 12x3	6 0 1/2	253		8304		93	
77		1	BAR 8x3	6 0 1/2	254	DEV. 2 ENDS	8304		62	
78		1	BAR 8x3	5 5/8	255	DEV. 2 ENDS	8305		56	
79		1	R 19x2 1/2	3 4 1/2	256		7109	59	87	3306
80										
81		2	BAR 5x6	1 8 1/2	157	FOR LINE 25	4815			
82		1	BAR 5x6	3 0 1/2	157	FOR LINE 25	59	28	3306	
83		4	BAR 5x6	0 11 1/2	157	FOR LINE 25	4814		25	
84		1	BAR 10x2	1 0	X60	DEV. 1 SIDE	622		48	
85		2	BAR 10x1 1/2	1 0	X60	DEV. 1 SIDE	6103		111	
86		1	BAR 10x1 1/2	1 0	X60	DEV. 1 SIDE	6103		39	
87		1	BAR 10x1 1/2	1 0	X60	DEV. 1 SIDE	6104		66	
88		1	BAR 10x2 1/2	1 0	X60	DEV. 1 SIDE	6105		79	
89		1	BAR 10x2 1/2	1 0	X60	DEV. 1 SIDE	6224		87	
90		1	BAR 10x3	1 0	X60	DEV. 1 SIDE	6521		102	
91		1	R 40x2 1/2	2 1 3/8	X60	BENT	7109	59	146	3306
92										
93										
94										
95										
96										
97										
98										
99										
100										
101										
102										
103										
104										
105										
106										
107										
108										
109										
110										
111										
112		36	3/8 WLD							NC
113		110	3/8 RIVETS							
114										
115		1	3/8 WLD	7 2						
116		1	3/8 WLD	155 0						
117		1	3/8 WLD	176 0						
118		1	3/8 WLD	117 0						
119		1	3/8 WLD	51 0						
120		1	3/8 WLD	21 0						
121		1	3/8 WLD	20 10						
122		1	3/8 WLD	3 10						
123										
124										
125										
126										
127										
128										
129										
130										
131										
132										
133										
134										
135										
136										
137										
138										
139										
140										
141										
142										

SHOP NOTE

FOR GEN NOTES SEE SHT GNI.
 FOR MATL SPECS SEE BUL OF MATL.
 ALL CLIPPED CORNERS NOT
 DIMENSIONED SHALL BE CUT
 3/8 @ 45°.
 FOR X-RAY IDENTIFICATION NO.
 SEE SHT W-1
 FOR INSPECTION OF WELDS
 SEE NOTE ON SHT GNI
 FOR WELD SEQUENCE AND WELDING OF
 TRUSS WEB MEMBER SEE SHT XI & XII

MINN PROJ NO 1-IG35W-3(55)112
 STATE PROJ NO 2783-9340B (TH35W-394)

ALLIED STRUCTURAL STEEL COMPANY
 1201 10TH STREET HARBOR PARK, MINN.
 MINNAPOLIS, MINN.

DETAILS OF FLOOR TRUSS @ W6
 BRIDGE NO. 9340

LOCATION: MINNERPOLIS, MINN.
 OWNER: MINN STATE HWY DEPT.
 CUSTOMER: MINN STATE HWY DEPT.

CONTRACT 3142 FABCOD 244 SHEET 708 D

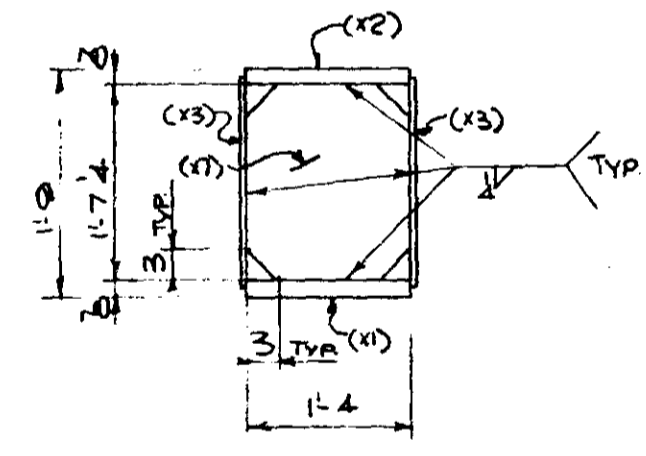
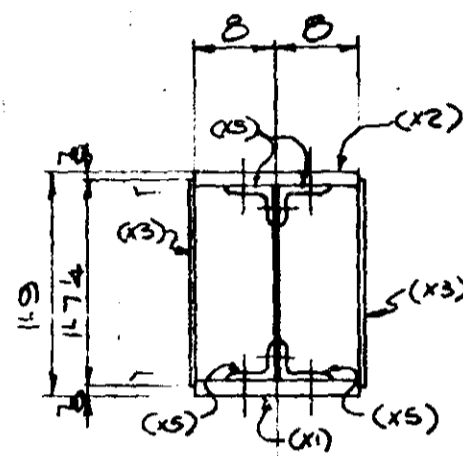
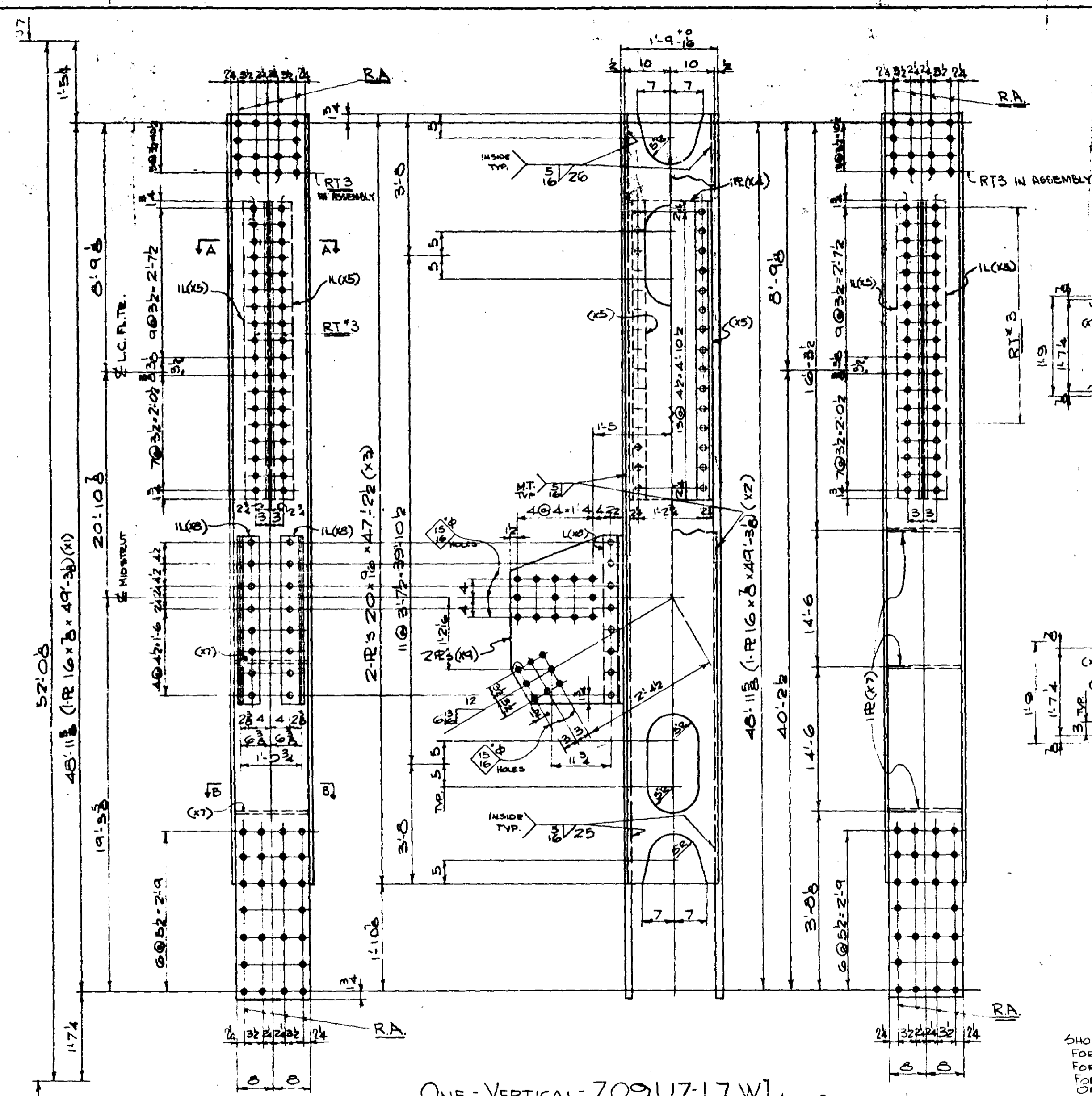
CLINTON FAB

OPEN HOLES 1/2" UN RIVETS & BOLTS 3/8" PAINT YES, SEE SHT GNI

DRAWN BY: JH DATE 2-10-56 CHECKED BY: JH DATE

REVISIONS: Δ 27.67 Δ Δ Δ

SHOP RWETS
 64-1" x 2 1/2"
 64-1" x 2 3/4"
 40-1" x 2 1/2"
 112-1" x 3 3/8"



ONE	VERTICAL	709U7-L7W
ONE	do	-709U7-L7E
ONE	do	~709U21-L21W
ONE	do	~709U21-L21E

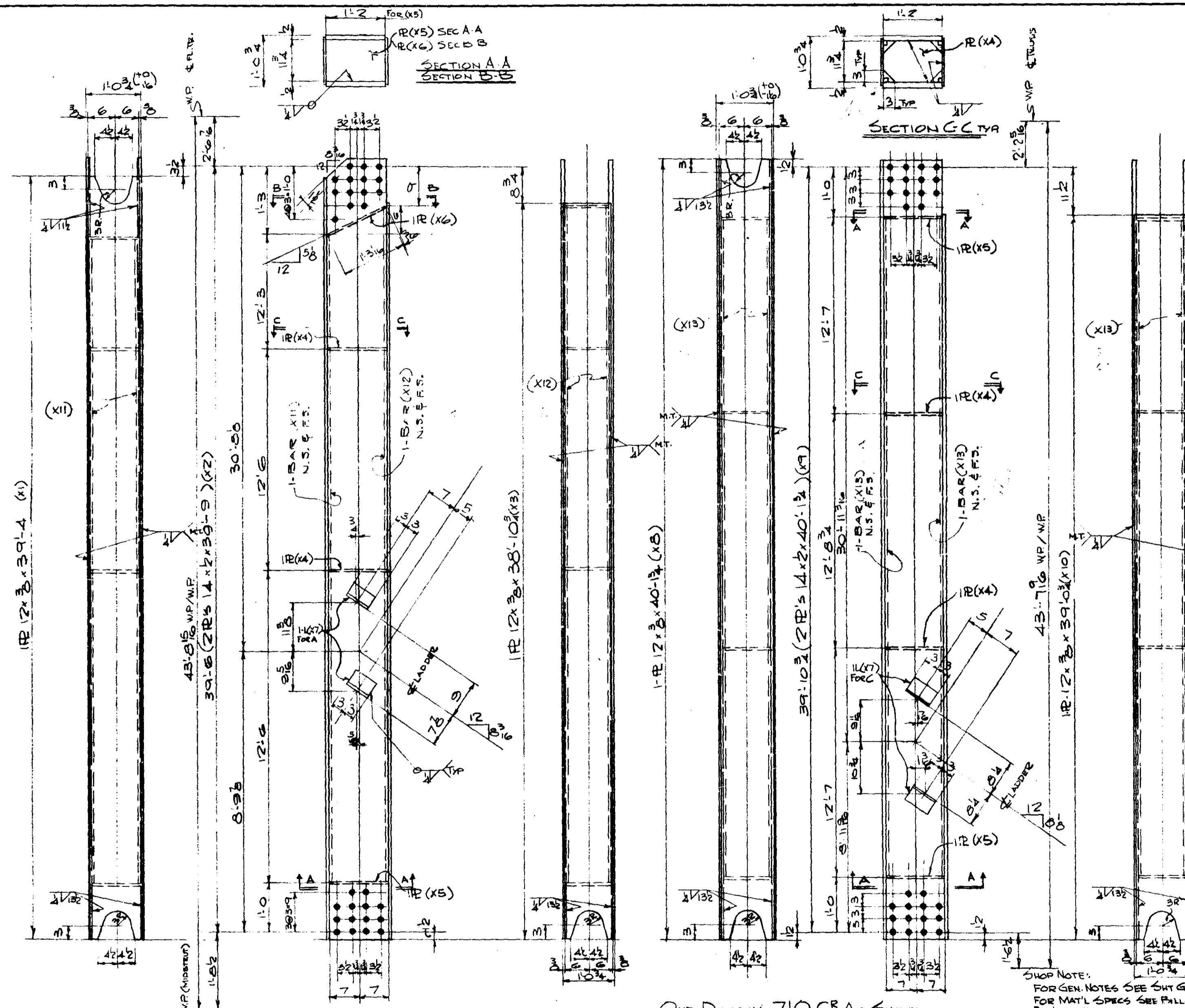
ALIKE EXCEPT FOR MARK

SHOP NOTE:
 FOR GEN NOTES SEE SHT GNI
 FOR MAT'L SPECS SEE BILL OF MAT'L
 FOR INSPECTION OF WELDS SEE NOTE ON SHT. GNI

DIVISION 7	MINN. PROJ. NO. I-16 35W-3(58)112
HAMMOND FAB.	STATE PROJ. NO. 2783 9340 B (11 25W-349)
OPEN HOLES	NO UN. RIVETS & BOLTS 1" PH. PAINT YES SEE SHT GNI
DRAWN BY	AVP DATE 12-65 CHECKED BY GN DATE
REVISIONS	△ △ △ △

ITEM NO.	QTY	SHAPE	LENGTH	PC. NO.	REMARKS	ITEM NO.	QTY	TOTAL WEIGHT
1	ONE	VERTICAL 709U7-L7W						
2	ONE	VERTICAL 709U7-L7E						
3	ONE	VERTICAL 709U21-L21W			(45X 49 1/4)			
4	ONE	VERTICAL 709U21-L21E						
5								
6	4	R 16x 5	49 3/8 X1			118	60	9379
7	4	R 16x 5	49 3/8 X2			118	60	9379
8	8	R 20x 5	47 3/8 X8			119	61	12496
9	4	R 10 1/2 x 2	5 5 X4			122	59	652
10	16	L 5 x 3 1/2 x 2	5 5 X5			121	59	1142
11								
12	12	R 16x 5	1 7/8 X7			120	59	393
13	8	L 4 x 4 x 3/8	2 11 X8			123	59	229
14	8	R 23 1/2 x 3	2 11 X9			124	59	699
15								
16	4	F.W.D.	26 0					NC
17	4	F.W.D.	11 8					NC
18								
19		20" 1" PH RIVETS						
20								
21								
22								
23								
24								
25								
26								
27								
28								
29								
30								
31								
32								
33								
34								
35								
36								
37								
38								
39								
40								
41								
42								
43								
44								
45								
46								
47								
48								
49								
50								
51								
52								
53								
54		BID ITEM	59 =	3115				
55			60 =	18758				
56			61 =	14446				
57								
58								
59								
60								
61								
62								
63								
64								
65								
66								
67								
68								
69								
70								
71								

ALLIED STRUCTURAL STEEL COMPANIES	
CLINTON BRIDGE CORP. • GAGE STRUCTURAL STEEL CORP. • MIDLAND STRUCTURAL STEEL CORP.	
ENGINEERS • FABRICATORS • ERECTORS OF BUILDINGS AND BRIDGES	
20 NORTH WACKER DRIVE CHICAGO 6, ILLINOIS	
DETAILS OF	TRUSS VERTICALS 6 U7-L7 & U21 & L21
STRUCTURE	BRIDGE NE 9340
LOCATION	MINNEAPOLIS, MINN.
OWNER	MINN. STATE HWY. DEPT.
CUSTOMER	MINN. STATE HWY. DEPT.
CONTRACT	3142
FABCOD	214
SHEET	709



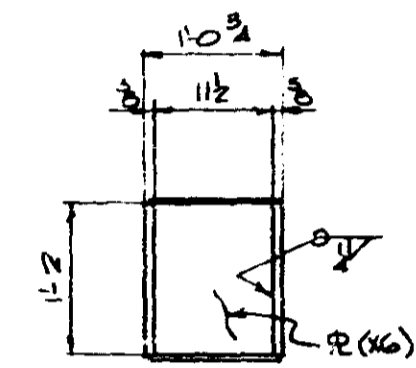
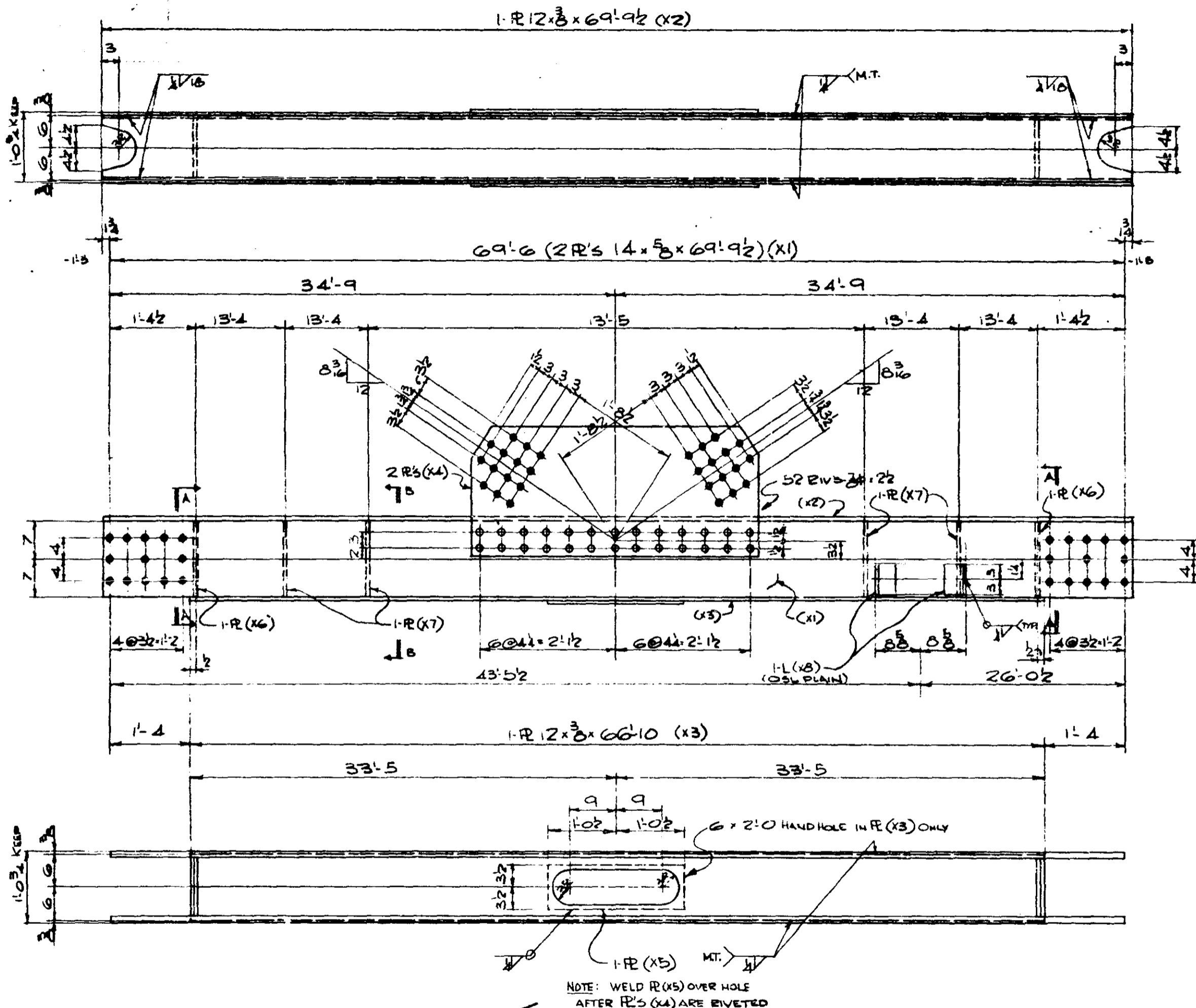
ONE DIAGONAL - 710 AR AS SHOWN
 ONE do - 710 A' OFF HAND
 2 do - 710 B AS SHOWN

ONE DIAGONAL - 710 CR AS SHOWN
 ONE do - 710 C' OFF HAND
 2 do - 710 D AS SHOWN

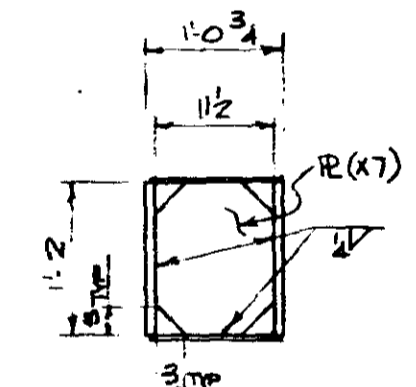
HAMMOND FAB. OPEN HOLES $1\frac{1}{2}$ " ϕ RIVETS & BOLTS PAINT YES SEE SHT. GNI
 DRAWN BY AVP DATE 12-9-66 CHECKED BY GN DATE
 REVISIONS \triangle 11-10-66 \triangle \triangle \triangle

DIV	ITEM	SHIP NO.	NO. REQD.	SHAPE	LENGTH	PC. NO.	REMARKS	ITEM NO.	TOTAL WEIGHT	WELD WEIGHT
7	1									
7	2									
1	3	710A	ONE	DIAGONAL						
1	4	710A'	ONE	do			(15 x 40'-0")			
1	5	710B	2	do						
6										
7	4	R 12x3	39	4	X1			605	59	2407
8	8	R 14x2	39	0	X2			604		7528
9	4	R 12x3	39	0	X3			606		2380
10	8	R 11x2	39	1	X4			610		190
11	4	R 11x2	39	1	X5			610		70
12	4	R 11x2	39	1	X6			611		70
13	4	L 4x4	0	6	X7		FOR A'	621	59	20
14										
15	2	1/2 F.WLD	175	0			FOR A'			NC
16	2	1/2 F.WLD	170	0			FOR B			NC
17										
1	18	710C	ONE	DIAGONAL						
1	19	710C'	ONE	do			(19 x 41'-0")			
1	20	710D	2	do						
21										
22	4	R 12x3	40	1	X8			608	59	2457
23	8	R 14x2	40	0	X9			607		7699
24	4	R 12x3	39	0	X10			609		2391
25	8	R 11x2	39	1	X4			610		190
26	4	R 11x2	39	1	X5			610		70
27	4	L 4x4	0	6	X7		FOR C'	621	59	20
28										
29	2	1/2 F.WLD	177	0			FOR C'			NC
30	2	1/2 F.WLD	172	0			FOR D			NC
31										
32										
33										
34										
35	8	BAR 3/8x3/8	37	0	X11		FOR A&B	59	193	3306
36	8	BAR 3/8x3/8	37	0	X12		FOR A&B		195	
37	16	BAR 3/8x3/8	37	0	X13		FOR C&D		291	
38										
39										
40										
41										
42										
43										
44										
45										
46										
47										
48										
49										
50										
51										
52										
53										
54										
55										
56										
57										
58										
59										
60										
61										
62										
63										
64										
65										
66										
67										
68										
69										
70										
71										

ALLIED STRUCTURAL STEEL COMPANIES
 CLINTON BRIDGE CORP. • GAGE STRUCTURAL STEEL CORP. • WELAND STRUCTURAL STEEL CORP.
 ENGINEERS - FABRICATORS - ERECTORS OF BUILDINGS AND BRIDGES
 20 NORTH WACKER DRIVE CHICAGO 8, ILLINOIS
 DETAILS OF SWAY BRACING (FOR TA @ PPS & PPS2)
 STRUCTURE BRIDGE NR 9340
 LOCATION MINNEAPOLIS MINN.
 OWNER MINN. STATE HWY. DEPT.
 CUSTOMER MINN. STATE HWY. DEPT.
 CONTRACT 3142 FABCOO 264 SHEET 710



SECTION AA



SECTION B-B (TYP)

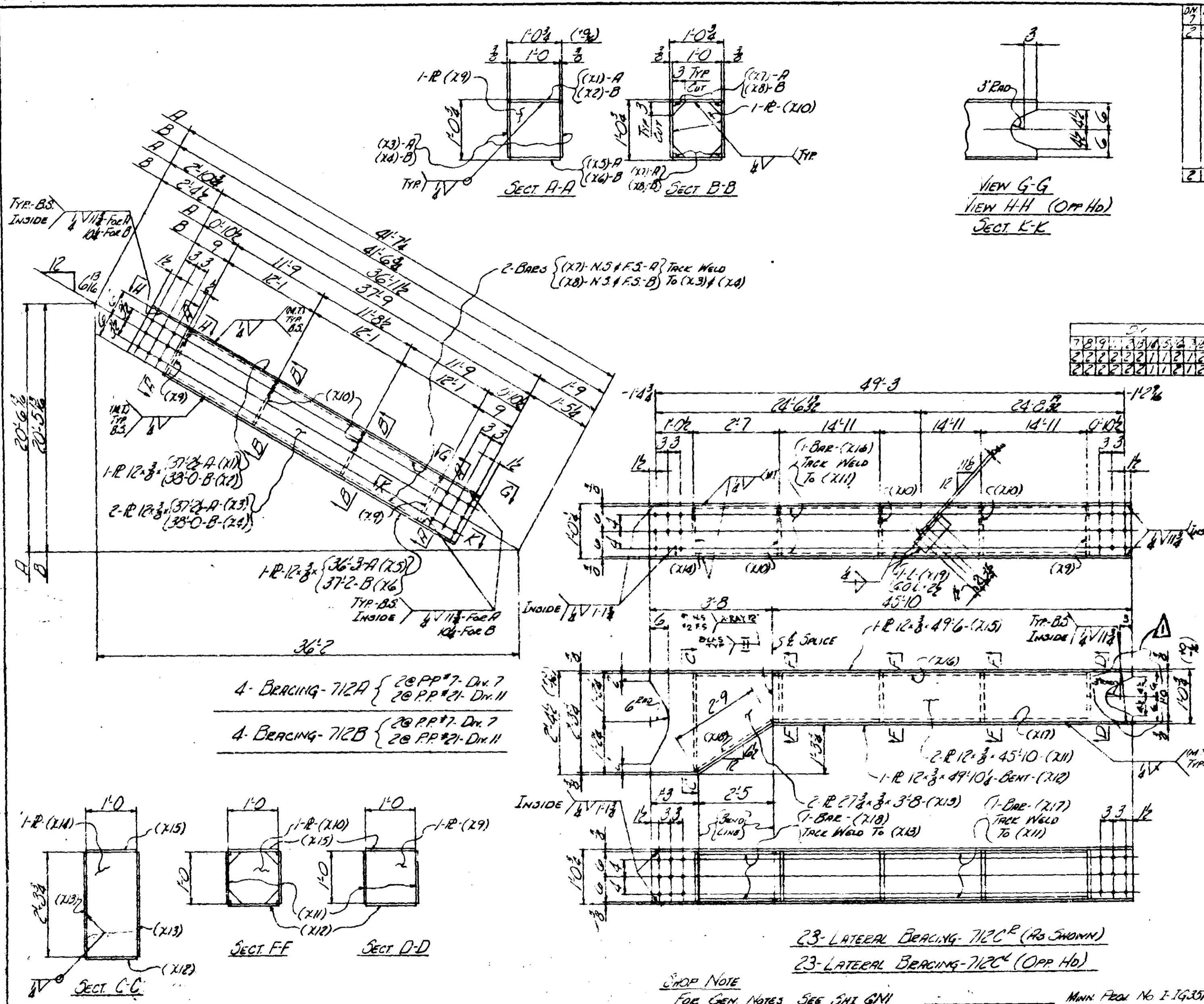
ONE - STRUT - 711A^R AS SHOWN P.P.8-DIV.7
 ONE - do - 711A^L OPP. HAND P.P.11-DIV.11

SHOP NOTE:
 FOR GEN. NOTES SEE SHT GNI
 FOR MAT'L SPECS SEE BILL OF MAT'L
 FOR INSPECTION OF WELDS SEE NOTE ON SHT GNI

DIV	NO.	QTY	SHAPE	LENGTH	PC	REMARKS	ITEM NO.	TOTAL WEIGHT
711	1							
711	2							
711	3		711A ^R STRUT			(22x70'Ø)		
711	4		711A ^L do					
	5							
	6	4	R 12x3	69'9 1/2	X1		62	59 8505 8302
	7	2	R 12x3	69'9 1/2	X2		63	2136
	8	2	R 2x3	66'10	X3		64	2045
	9	4	R 23x3	4'6 1/2	X4		65	550
	10	2	R 7x3	2'1	X5		66	37
	11	4	R 12x3	1'2	X6		67	68
	12	0	R 12x3	1'2	X7		68	137
	13	4	L 4x3	0'6	X8		69	20 8302
	14							
	15	2	4 FWD	313	G			NC
	16							
	17	2	Ø RIV					NC
	18							
	19							
	20							
	21							
	22							
	23							
	24							
	25							
	26							
	27							
	28							
	29							
	30							
	31							
	32							
	33							
	34							
	35							
	36							
	37							
	38							
	39							
	40							
	41							
	42							
	43							
	44							
	45							
	46							
	47							
	48							
	49							
	50							
	51							
	52							
	53							
	54							
	55							
	56							
	57							
	58							
	59							
	60							
	61							
	62							
	63							
	64							
	65							
	66							
	67							
	68							
	69							
	70							
	71							

BID ITEM 59 = 13298

HAMMOND FAB	MINN PROJ. NO. I 16 35W-3(58) 112	DETAILS OF	PORTAL BRACING P.P.8 & P.P.20
	STATE PROJ. NO. 2783-9340B (1435W394)	STRUCTURE	BRIDGE NO. 9340
OPEN HOLES	5/8" IN.	LOCATION	MINNEAPOLIS, MINN.
RIVETS & BOLTS	5/8"	OWNER	MINN. STATE HWY. DEPT.
PAINT	YES SEE SHT GNI	CUSTOMER	MINN. STATE HWY. DEPT.
DRAWN BY	AVP	DATE	12-10-65
CHECKED BY	GN	DATE	
REVISIONS	△	△	△
CONTRACT	3142	FABCOO	264
SHEET	711		



QTY	NO.	DESCRIPTION	SHAPE	LENGTH	WT.	REMARKS	TEN.	WT.	TOTAL	WT.
2	1	712A	BRACING	(12 x 37-6)						
4	2	1-R 12.3		37.25	21		805	59	2277	3306
8	3	2-R 12.3		37.25	23		805	59	4559	
8	4	1-R 12.3		36.3	23		805	59	2219	
16	5	1/2" Dia. 3/8"		35.2	27		805	59	2210	
8	6	2-R 12.3		1.0	27		805	59	122	3306
8	7	2-R 12.3		1.0	20		805	59	122	3306
4	8	4-Mid		46.8					NC	
2	12	712B	BRACING	(12 x 35-0)						
4	14	1-R 12.3		38.0	22		805	59	2226	3306
8	15	2-R 12.3		38.0	24		805	59	4651	
4	16	1-R 12.3		37.2	26		805	59	2225	
16	17	1/2" Dia. 3/8"		36.25	28		805	59	228	
8	18	2-R 12.3		1.0	27		805	59	122	
8	19	2-R 12.3		1.0	20		805	59	122	3306
4	20	4-Mid		46.8					NC	
7	21	712C	Lateral Bracing (12 x 49-6)							
46	28	1-R 12.3		49.6	215		805	59	34638	3306
92	29	2-R 12.3		49.6	231		805	59	69515	
16	30	1/2" Dia. 3/8"		47.0	28		805	59	35087	
92	31	2-R 12.3		2.2	23		805	59	1924	
16	32	1/2" Dia. 3/8"		2.7	24		805	59	1627	
16	33	1/2" Dia. 3/8"		1.0	17		805	59	271	
16	34	1/2" Dia. 3/8"		1.0	17		805	59	271	
92	35	2-R 12.3		47.0	215		805	59	3082	
92	36	2-R 12.3		46.1	227		805	59	1934	
92	37	2-R 12.3		2.0	18		805	59	118	
46	38	1/2" Dia. 3/8"		2.10	29		805	59	276	3306
46	39	4-Mid		28.10					NC	
46	40	4-Mid		28.10					NC	
46	41	4-Mid		28.10					NC	
46	42	4-Mid		28.10					NC	
46	43	4-Mid		28.10					NC	
46	44	4-Mid		28.10					NC	
46	45	4-Mid		28.10					NC	
46	46	4-Mid		28.10					NC	
46	47	4-Mid		28.10					NC	
46	48	4-Mid		28.10					NC	
46	49	4-Mid		28.10					NC	
46	50	4-Mid		28.10					NC	
46	51	4-Mid		28.10					NC	
46	52	4-Mid		28.10					NC	
46	53	4-Mid		28.10					NC	
46	54	4-Mid		28.10					NC	
46	55	4-Mid		28.10					NC	
46	56	4-Mid		28.10					NC	
46	57	4-Mid		28.10					NC	
46	58	4-Mid		28.10					NC	
46	59	4-Mid		28.10					NC	
46	60	4-Mid		28.10					NC	
46	61	4-Mid		28.10					NC	
46	62	4-Mid		28.10					NC	
46	63	4-Mid		28.10					NC	
46	64	4-Mid		28.10					NC	
46	65	4-Mid		28.10					NC	
46	66	4-Mid		28.10					NC	
46	67	4-Mid		28.10					NC	
46	68	4-Mid		28.10					NC	
46	69	4-Mid		28.10					NC	
46	70	4-Mid		28.10					NC	
46	71	4-Mid		28.10					NC	
46	72	4-Mid		28.10					NC	

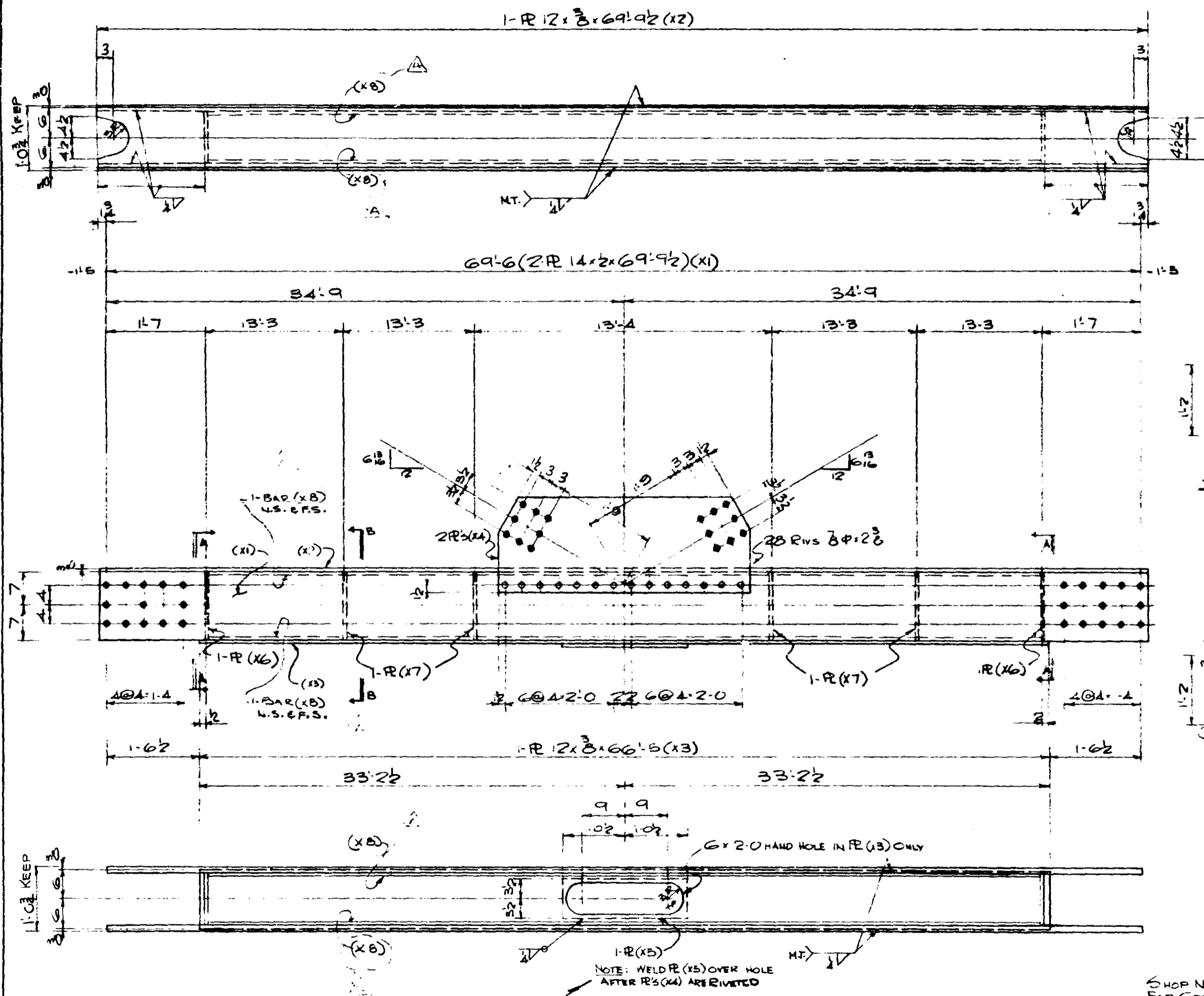
SHOP NOTE
 FOR GEN. NOTES SEE SHEET G-1
 FOR MAT. SPECS SEE BILL OF MAT.
 FOR X-RAY IDENTIFICATION NO.
 SEE SHEET W-1
 FOR INSPECTION OF WELDS SEE
 NOTE ON SHEET G-1

MANUFACTURED BY: HAMMOND FAB
 DRAWN BY: [Signature]
 DATE: [Date]
 CHECKED BY: G-1
 DATE: [Date]

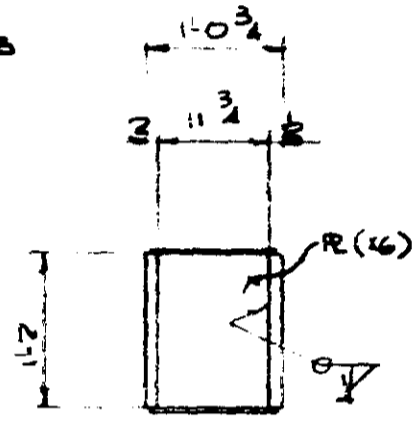
ALLIED STRUCTURAL STEEL COMPANIES
 ENGINEERS - FABRICATORS - ERECTORS OF BUILDINGS AND BRIDGES
 20 NORTH WACKER DRIVE CHICAGO 6, ILLINOIS

PROJECT: [Project Name]
 DRAWING NO: [Drawing No.]
 SHEET NO: [Sheet No.]

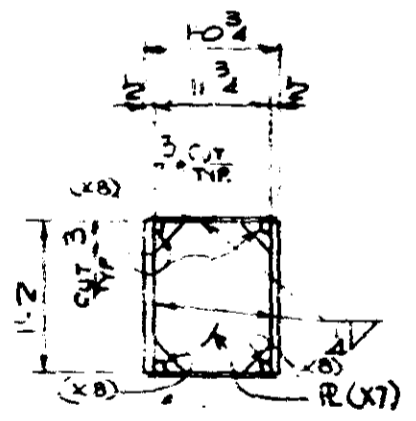
CONTRACT: [Contract No.]



DIV	NO	QTY	SHAPE	LENGTH	PC. NO.	REMARKS	ITEM NO.	TOTAL WEIGHT
711	1							
111	3	2	STRUTS	(30x70-0)				
	4							
	5							
	6	4	P 6x2	29'7 1/2	X1		510	59 6644 3302
	7	2	P 7x2	69'9 1/2	X2		814	2136
	8	2	P 7x2	66'5	X3		812	2027
	9	4	R 14x2	4'7	X4		813	956
	10	2	R 7x3	2'1	X5		814	37
	11	4	R 3/4x2	1'7	X6		821	76
	12	8	R 1/2x3/8	1'2	X7		821	140 3306
	13							
	14	2	A.F.W.	30'0				NC
	15	56	B&R.W.					NC
	16							
	17							
	18							
	19	5	BAR 3/8x3/8	66'3 1/2	X8		59	255 3306
	20							
	21							
	22							
	23							
	24							
	25							
	26							
	27							
	28							
	29							
	30							
	31							
	32							
	33							
	34							
	35							
	36							
	37							
	38							
	39							
	40							
	41							
	42							
	43							
	44							
	45							
	46							
	47							
	48							
	49							
	50							
	51							
	52							
	53							
	54							
	55							
	56							
	57							
	58							
	59							
	60							
	61							
	62							
	63							
	64							
	65							
	66							
	67							
	68							
	69							
	70							
	71							



SECTION A-A



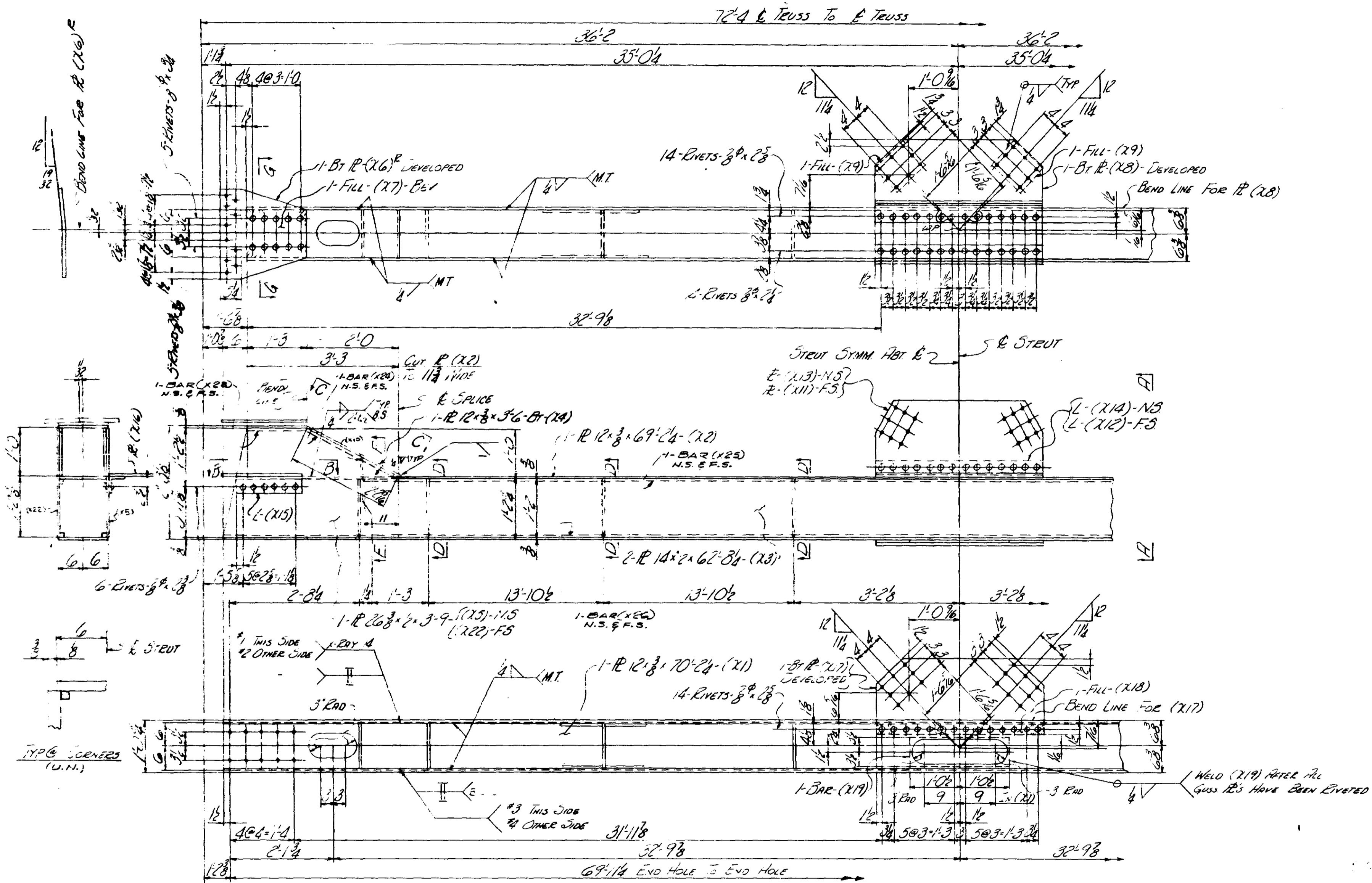
SECTION B-B (TYP)

2-STRUTS-713 A @ PR.# 7-DV.7 @ PR.# 21-DV.11

SHOP NOTE:
FOR GEN NOTES SEE SHIT GNI
FOR MAT'L SPECS SEE BILL OF MAT'L
FOR INSPECTION OF WELDS SEE NOTE
ON SHIT GNI

ALLIED STRUCTURAL STEEL COMPANIES
CLINTON BRIDGE CORP. • GARDNER STRUCTURAL STEEL CORP. • HIGHLAND STRUCTURAL STEEL CORP.
ENGINEERS - FABRICATORS - ERECTORS OF BUILDINGS AND BRIDGES
20 NORTH WACKER DRIVE CHICAGO 6, ILLINOIS

HAMMOND FAB	MINN PROJ NO JIG 354-3(50)112	DETAILS OF SWAY BRACING (MID STEEL) @ PR 7 & 21
STATE PROJ NO 2183-9340B(M35W300)	STRUCTURE BRIDGE No 9340	LOCATION MINNEAPOLIS, MINN.
OWNER MINN. STATE HWY DEPT.	CUSTOMER MINN. STATE HWY DEPT.	CONTRACT 3142
DATE 2-26-62	CHECKED BY [Signature]	FAB/CD 264
REVISIONS	△ 1/8/62	SHEET 713

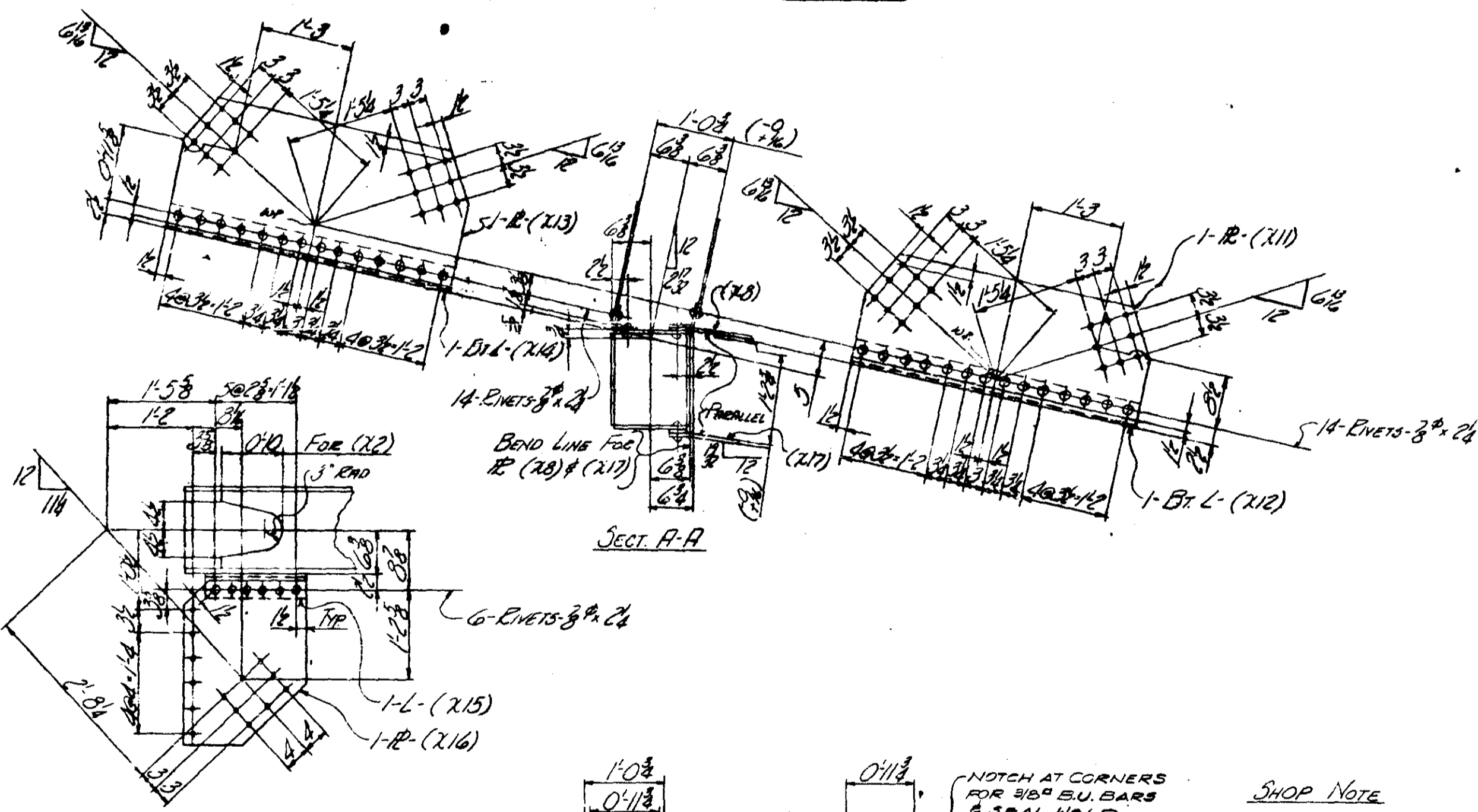
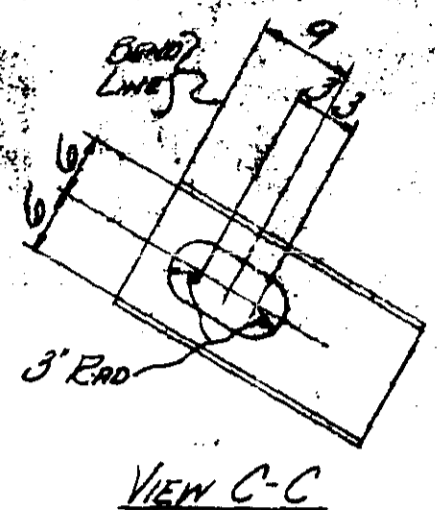
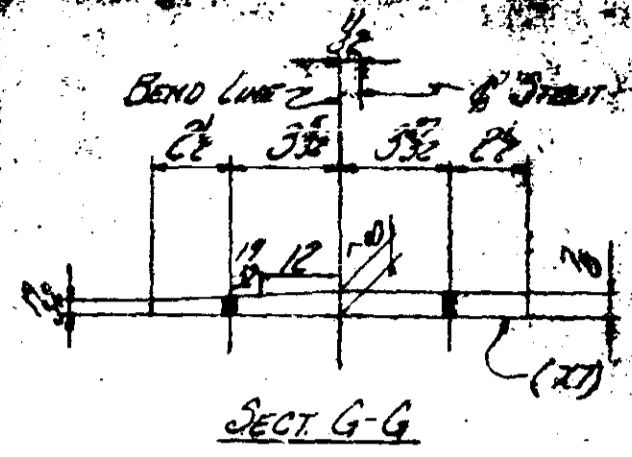


ONE-TRUSS-714A

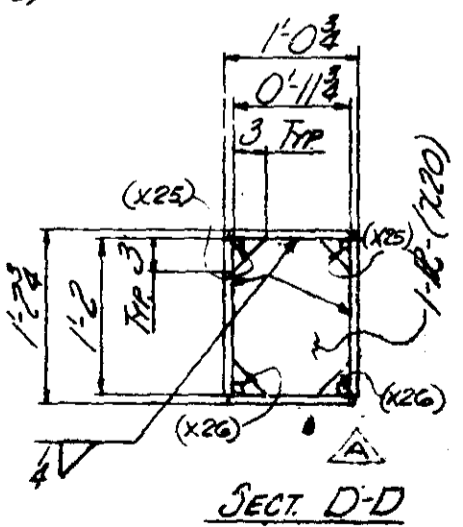
MINN. PROJ. I-16 35W-3(58)112
 STATE PROJ. 2783-9340 B(35W-394)

ALLIED STRUCTURAL STEEL COMPANY PLANTS: CHICAGO, ILL. - CLINTON, IOWA - HAMMOND, IND. - KNOXVILLE, TENN. ENGINEERS - FABRICATORS - ERECTORS 20 NORTH WACKER DRIVE CHICAGO 6, ILLINOIS	
DETAILS OF	BOTTOM TRUSS @ L7
STRUCTURE	BRIDGE No. 9390
LOCATION	MINNEAPOLIS, MINN.
OWNER	MINN. STATE HWY DEPT.
CUSTOMER	MINN. STATE HWY DEPT.
CONTRACT	3142 FABCOD 264
SHEET	714AB

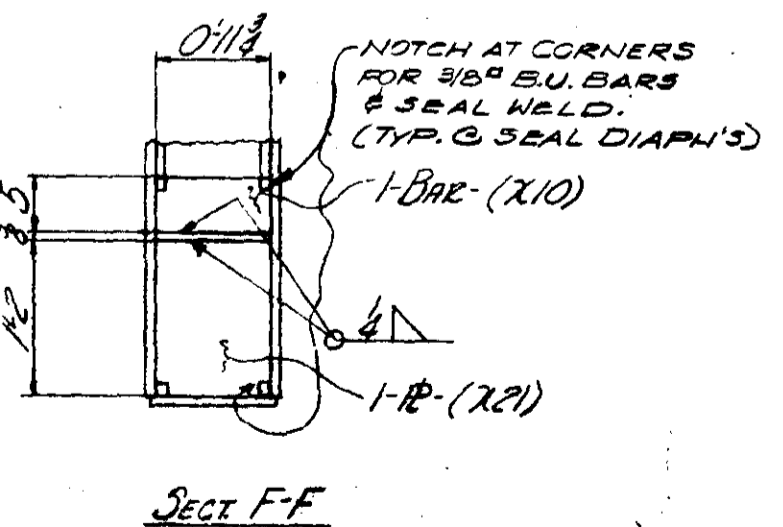
OPEN HOLES	RIVETS & BOLTS	PAINT
DRAWN BY	DATE	CHECKED BY
REVISIONS	DATE	DESCRIPTION
1	11/2/60	
2		
3		
4		



SECT B-B



SECT D-D



SECT F-F

SHOP NOTE
 FOR GEN. NOTES SEE SHT GNI
 FOR MATL SPECS SEE BILL OF MATL
 FOR INSPECTION OF WELDS SEE
 NOTE ON SHT. GNI

NO.	QTY	DESCRIPTION	LENGTH	WEIGHT	TOTAL WEIGHT
1	1	STEEL	(36 x 76-0)		
2					
3					
4	1	R 12x3	20.24 X1	815	1079
5	1	R 12x3	69.24 X2	817	1059
6	2	R 12x3	62.84 X2	816	2984
7	2	R 12x3	3.6 X2	819	107
8	2	R 12x3	3.9 X2	818	336
9	2	R 12x3	1.94 X2	822	99
10	2	R 12x3	1.3 X2	825	87
11	1	R 12x3	3.11 X1	823	109
12	2	R 9x3	1.0 X2	827	19
13	2	R 9x3	0.14 X2	821	13
14	1	R 12x3	3.11 X1	820	87
15	1	L 4x3	3.11 X1	824	38
16	1	R 12x3	3.11 X1	824	103
17	1	L 4x3	3.11 X1	824	38
18	2	L 4x3	1.49 X2	824	26
19	2	R 12x3	2.24 X2	823	110
20	1	R 12x3	3.6 X1	824	85
21	1	R 9x3	3.6 X1	821	11
22	1	R 9x3	2.1 X1	824	19
23	6	R 12x3	1.2 X2	821	105
24	2	R 12x3	1.2 X2	824	35
25	2	R 12x3	3.9 X2	818	336
26					
27					
28					
29	14	3/8 RIVETS			NC
30					
31					
32	1	1/2 WLD	336.6		NC
33					
34					
35	2	BAR 3/8 x 3/8	1.5 X2		59
36	2	BAR 3/8 x 3/8	2.2 X2		2
37	2	BAR 3/8 x 3/8	6.6 X2		67
38	2	BAR 3/8 x 3/8	7.0 X2		67
39					
40					
41					
42					
43					
44					
45					
46					
47					
48					
49					
50					
51					
52					
53					
54					
55					
56					
57					
58					
59					
60					
61					
62					
63					
64					
65					
66					
67					
68					
69					
70					
71					

BID ITEM 59 = 7009

Div # 7

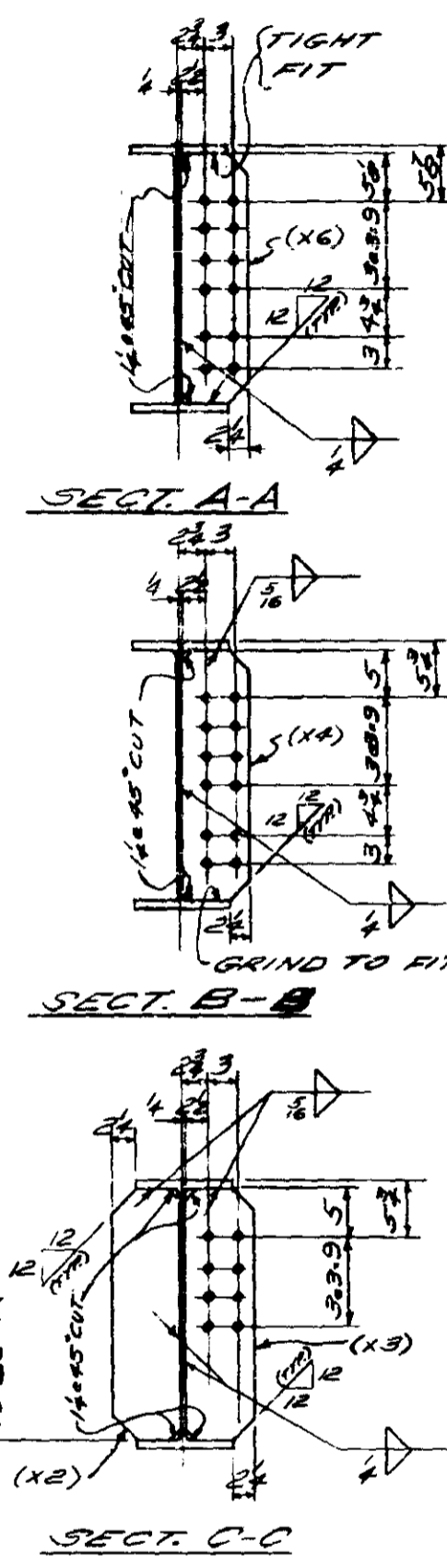
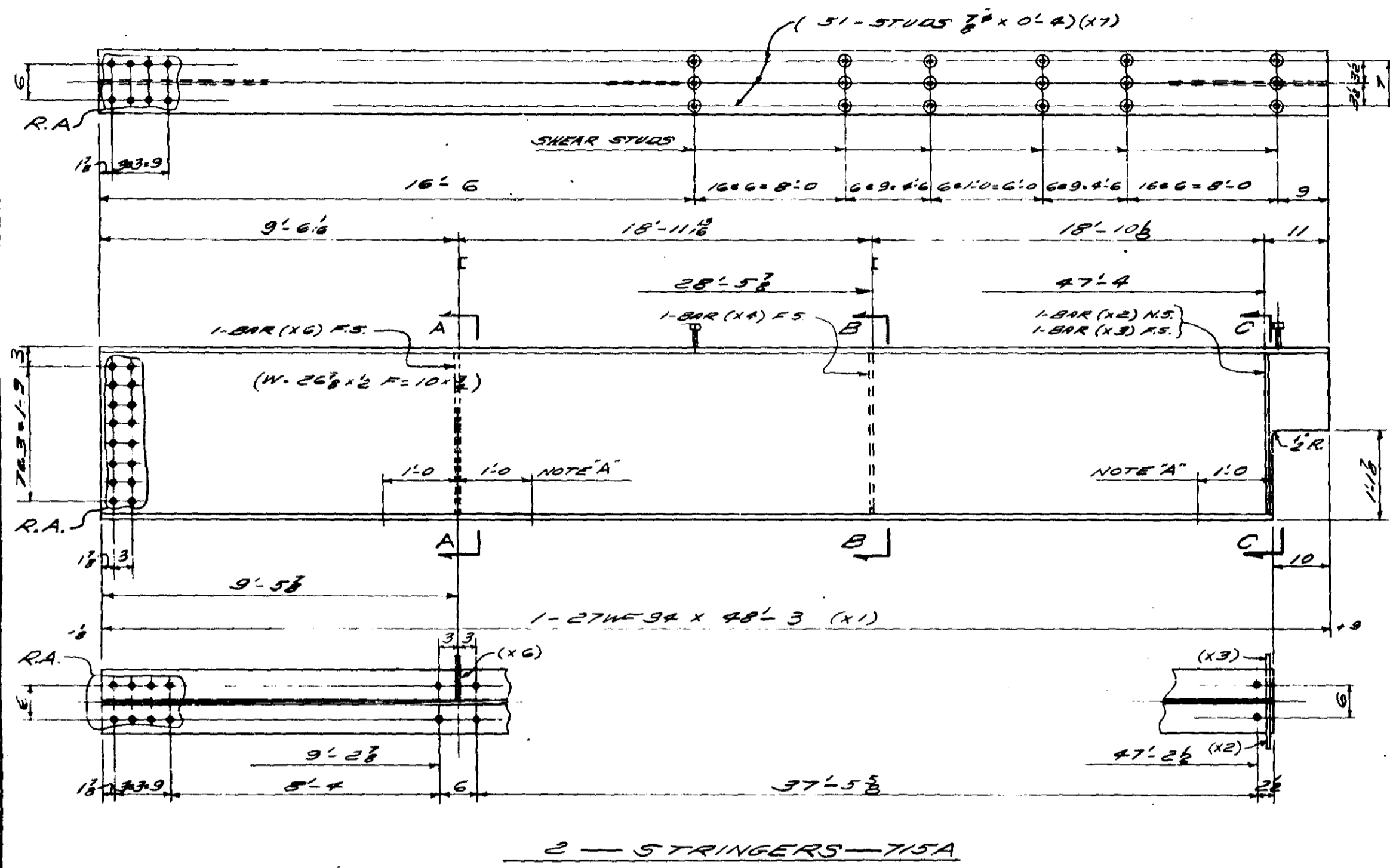
Hammond Fab.
 OPEN HOLE 1/2" RIVETS & BOLTS 3/8" #2121 SEE SHT GNI
 DRAWN BY RKT DATE 1/21/66 CHECKED BY G.N. DATE
 REVISIONS

ALLIED STRUCTURAL STEEL COMPANIES
 CLINTON BRIDGE CORP. • BASE STRUCTURAL STEEL CORP. • MIDLAND STRUCTURAL STEEL CORP.
 ENGINEERS - FABRICATORS - ERECTORS OF BUILDINGS AND BRIDGES
 80 NORTH WACKER DRIVE CHICAGO 6, ILLINOIS

DETAILS OF BOTTOM STEEL @ L7
 STRUCTURE BRIDGE No. 9320
 LOCATION MINNEAPOLIS, MINN.
 OWNER MINN. STATE HWY. DEPT.
 CUSTOMER MINN. STATE HWY. DEPT.

CONTRACT 3142 FABCOD 264 SHEET 714B

MINN. PROJ. No. I-16-35W-258/112
 STATE PROJ. No. 2723-934:-(7135N394)



NOTE "A"
 BOTTM. FLG. TO BE 90° TO WEB
 & SHAP. FOR DISTANCE INDICATED.

NOTES:
 FOR MAT'L SPEC. SEE BILL OF MAT'L.
 FOR GEN. NOTES SEE SH. 64-1.

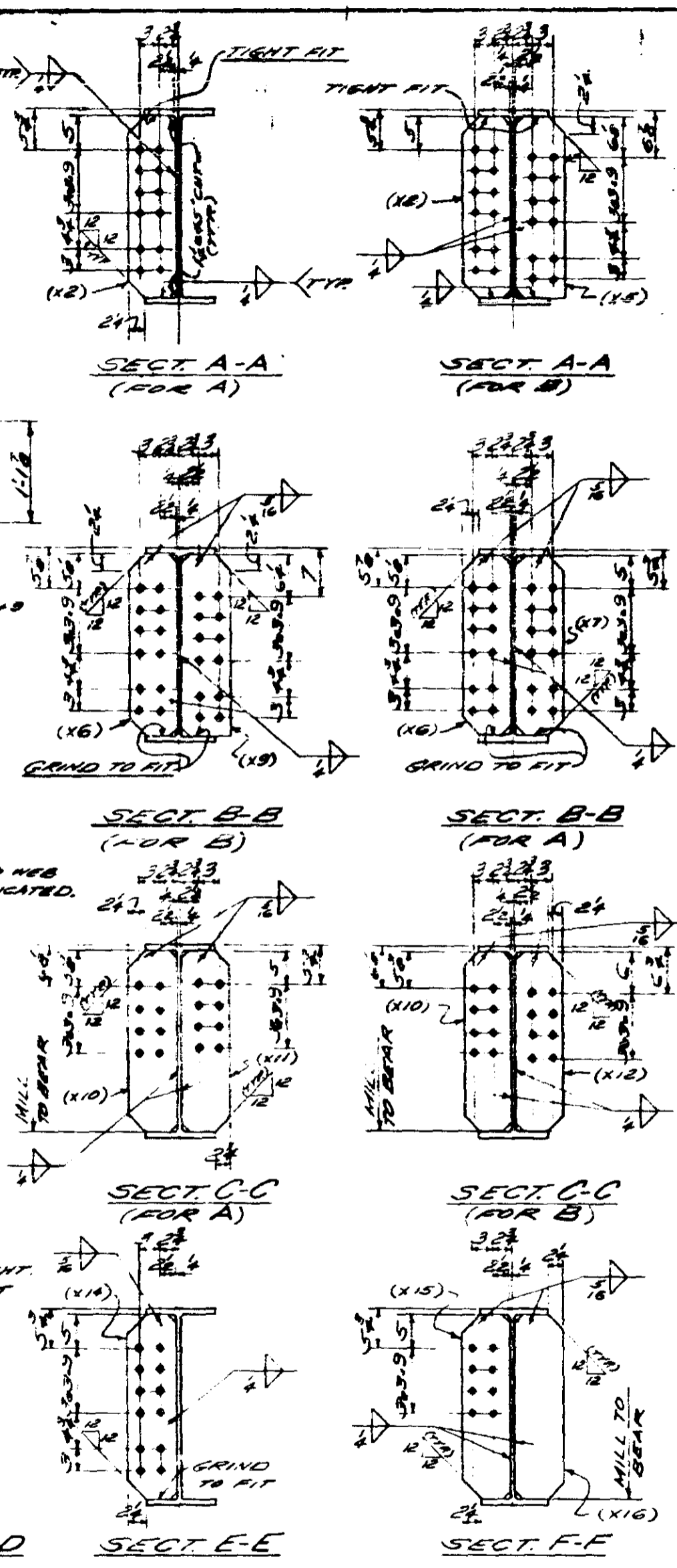
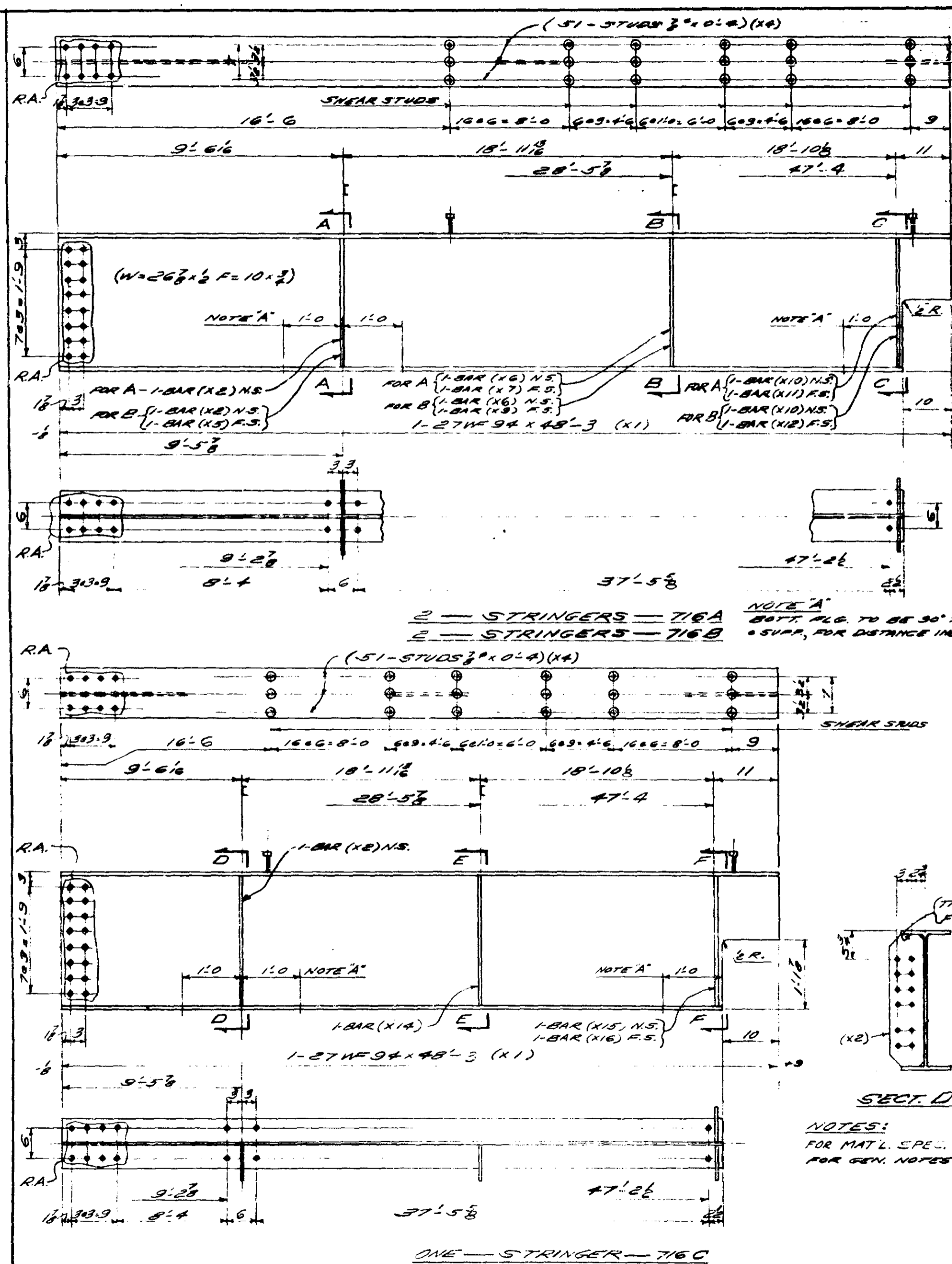
LINE	SHIP MK	NO. REQD	SHAPE	LENGTH	PC MK	REMARKS	ITEM NO.	TOTAL WEIGHT
1								
2	715A	2	STRINGERS (31 X 48 L 3)					
3		2	27WF94	48' 3"	X1		3004	9071
4		2	27WF94	48' 3"	X1		3004	9071
5		2	27WF94	48' 3"	X1		3004	9071
6		2	27WF94	48' 3"	X1		3004	9071
7		2	27WF94	48' 3"	X1		3004	9071
8		2	27WF94	48' 3"	X1		3004	9071
9		2	27WF94	48' 3"	X1		3004	9071
10		2	27WF94	48' 3"	X1		3004	9071
11		2	27WF94	48' 3"	X1		3004	9071
12		2	27WF94	48' 3"	X1		3004	9071
13		2	27WF94	48' 3"	X1		3004	9071
14		2	27WF94	48' 3"	X1		3004	9071
15		2	27WF94	48' 3"	X1		3004	9071
16		2	27WF94	48' 3"	X1		3004	9071
17		2	27WF94	48' 3"	X1		3004	9071
18		2	27WF94	48' 3"	X1		3004	9071
19		2	27WF94	48' 3"	X1		3004	9071
20		2	27WF94	48' 3"	X1		3004	9071
21		2	27WF94	48' 3"	X1		3004	9071
22		2	27WF94	48' 3"	X1		3004	9071
23		2	27WF94	48' 3"	X1		3004	9071
24		2	27WF94	48' 3"	X1		3004	9071
25		2	27WF94	48' 3"	X1		3004	9071
26		2	27WF94	48' 3"	X1		3004	9071
27		2	27WF94	48' 3"	X1		3004	9071
28		2	27WF94	48' 3"	X1		3004	9071
29		2	27WF94	48' 3"	X1		3004	9071
30		2	27WF94	48' 3"	X1		3004	9071
31		2	27WF94	48' 3"	X1		3004	9071
32		2	27WF94	48' 3"	X1		3004	9071
33		2	27WF94	48' 3"	X1		3004	9071
34		2	27WF94	48' 3"	X1		3004	9071
35		2	27WF94	48' 3"	X1		3004	9071
36		2	27WF94	48' 3"	X1		3004	9071
37		2	27WF94	48' 3"	X1		3004	9071
38		2	27WF94	48' 3"	X1		3004	9071
39		2	27WF94	48' 3"	X1		3004	9071
40		2	27WF94	48' 3"	X1		3004	9071
41		2	27WF94	48' 3"	X1		3004	9071
42		2	27WF94	48' 3"	X1		3004	9071
43		2	27WF94	48' 3"	X1		3004	9071
44		2	27WF94	48' 3"	X1		3004	9071
45		2	27WF94	48' 3"	X1		3004	9071
46		2	27WF94	48' 3"	X1		3004	9071
47		2	27WF94	48' 3"	X1		3004	9071
48		2	27WF94	48' 3"	X1		3004	9071
49		2	27WF94	48' 3"	X1		3004	9071
50		2	27WF94	48' 3"	X1		3004	9071
51		2	27WF94	48' 3"	X1		3004	9071
52		2	27WF94	48' 3"	X1		3004	9071
53		2	27WF94	48' 3"	X1		3004	9071
54		2	27WF94	48' 3"	X1		3004	9071
55		2	27WF94	48' 3"	X1		3004	9071
56		2	27WF94	48' 3"	X1		3004	9071
57		2	27WF94	48' 3"	X1		3004	9071
58		2	27WF94	48' 3"	X1		3004	9071
59		2	27WF94	48' 3"	X1		3004	9071
60		2	27WF94	48' 3"	X1		3004	9071
61		2	27WF94	48' 3"	X1		3004	9071
62		2	27WF94	48' 3"	X1		3004	9071
63		2	27WF94	48' 3"	X1		3004	9071
64		2	27WF94	48' 3"	X1		3004	9071
65		2	27WF94	48' 3"	X1		3004	9071
66		2	27WF94	48' 3"	X1		3004	9071
67		2	27WF94	48' 3"	X1		3004	9071
68		2	27WF94	48' 3"	X1		3004	9071
69		2	27WF94	48' 3"	X1		3004	9071
70		2	27WF94	48' 3"	X1		3004	9071
71		2	27WF94	48' 3"	X1		3004	9071

BID ITEM 59 - 9504

MINN. PROJ. NO. 1-16 354-2 (30) 112		DIVISION # 7	
STATE PROJ. NO. 2783-9340 B (1935H-30)		HAMMOND FAB	
DRAWN BY: J.C.		DATE: 10/25/55	
CHECKED BY: E.S.		DATE: 11/1/55	
REVISIONS		REVISIONS	
CONTRACT 3142		SHEET 715	

ALLIED ENGINEERS & FABRICATORS
 STRUCTURAL STEEL COMPANY
 1400 10TH STREET, MINNEAPOLIS, MINN. 55403

DETAILS OF STRUCTURE: STRINGERS - BRIDGE NO. 9340
 LOCATION: MINNEAPOLIS, MINNESOTA
 OWNER: MINNESOTA STATE HIGHWAY DEPT.
 CUSTOMER: MINNESOTA STATE HIGHWAY DEPT.



NOTE 'A'
BOTT. FLG. TO BE 30° TO WEB
+ SUPR. FOR DISTANCE INDICATED.

NOTES:
FOR MAT'L. SPEC. SEE BILL OF MAT'L.
FOR GEN. NOTES SEE SHEET 64.1

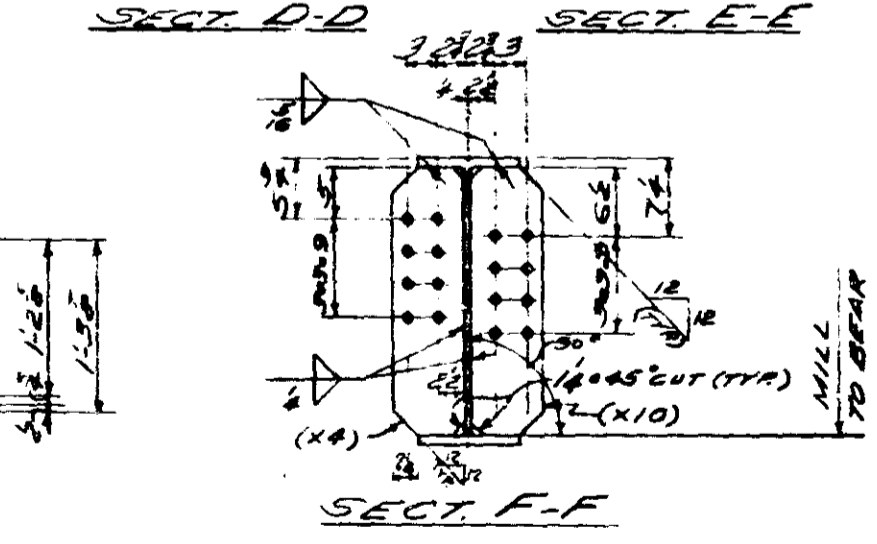
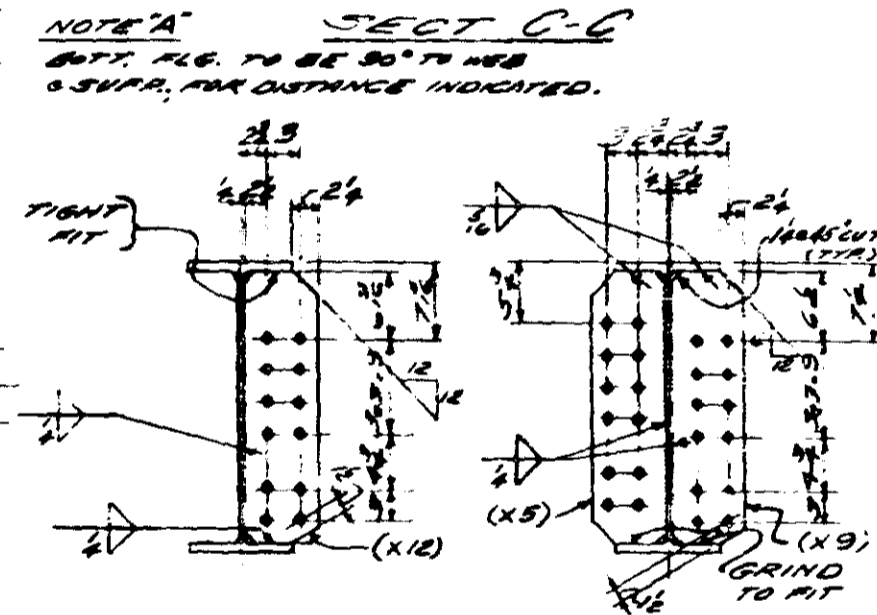
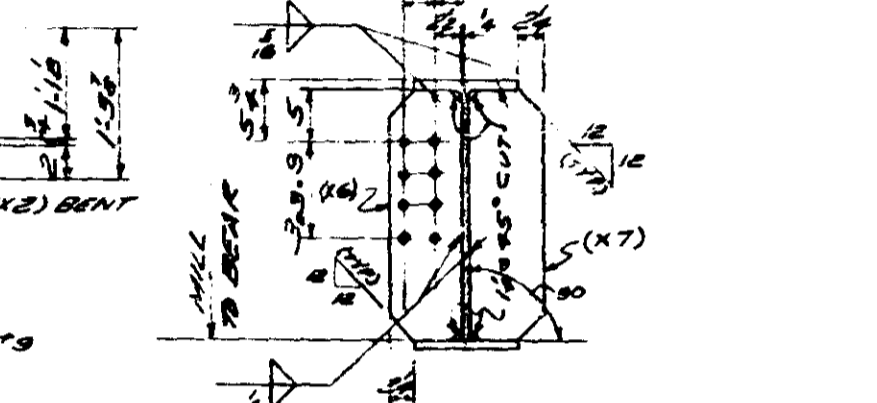
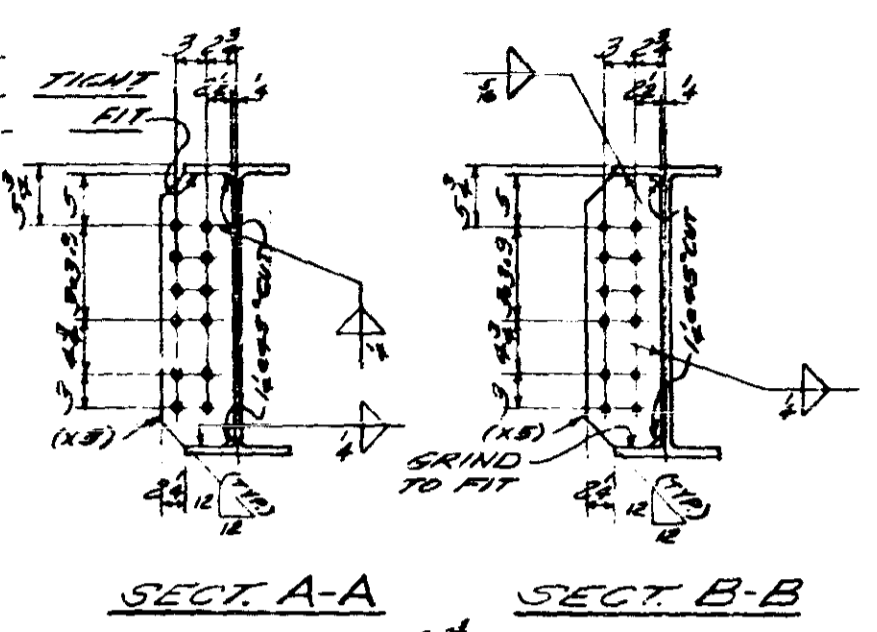
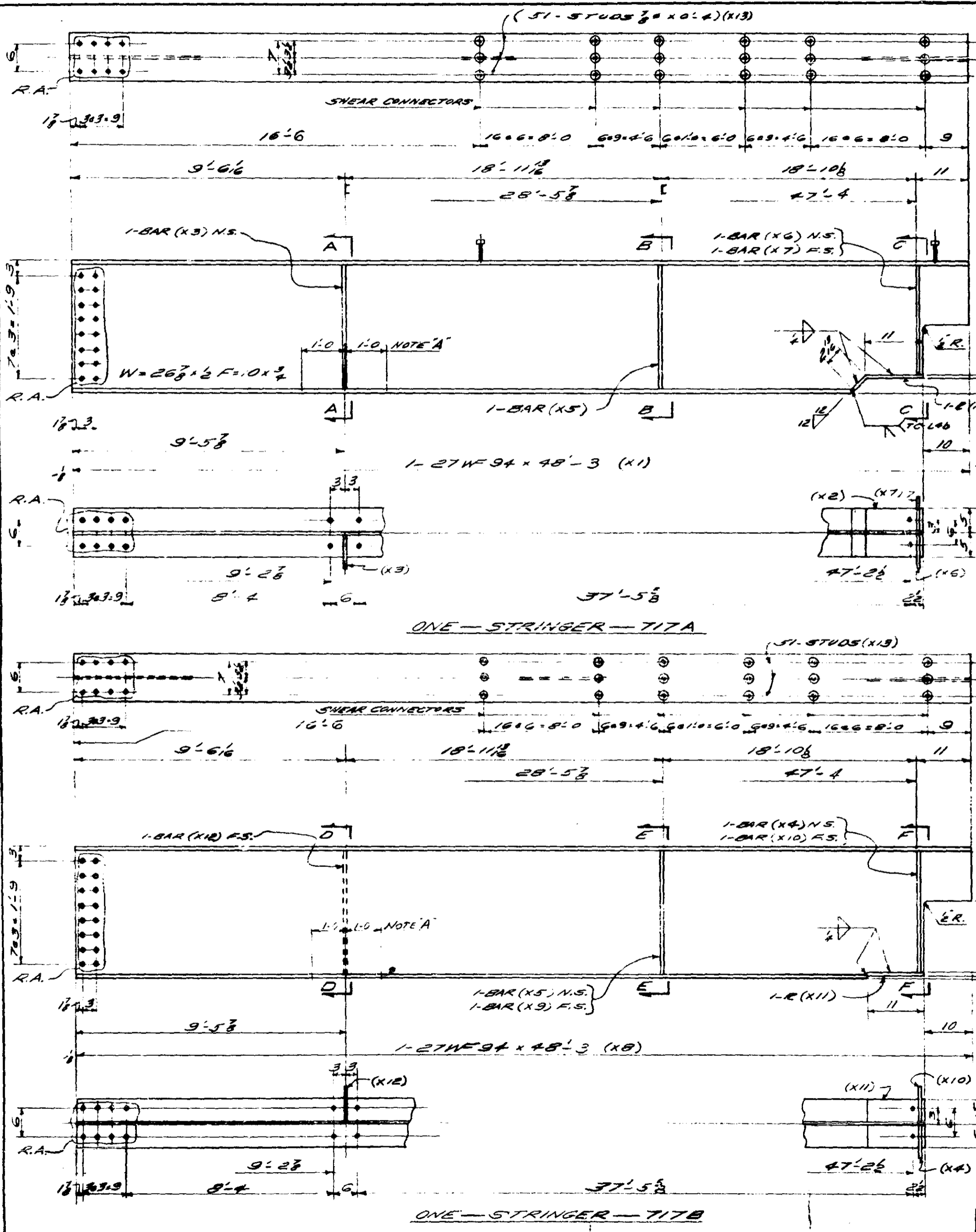
NO.	QTY	NO.	SHAPE	LENGTH	PC.	REMARKS	ITEM NO.	TOTAL WEIGHT
1								
2								
3	2		STRINGERS			(51'-48")		
4	2		STRINGERS			(51'-48")		
5	4		27WF94	48'-3"	X1		59	18192
6	4		BAR 7/8"	2'-1/2"	X2			75
7								
8								
9	2		BAR 7/8"	2'-1/2"	X5	FOR B		38
10	4		BAR 7/8"	2'-1/2"	X6			75
11	2		BAR 7/8"	2'-1/2"	X7	FOR A		38
12								
13	2		BAR 7/8"	2'-1/2"	X9	FOR B		38
14	4		BAR 7/8"	2'-1/2"	X10	M.I.E.		100
15	2		BAR 7/8"	2'-1/2"	X11	FOR A		50
16	2		BAR 7/8"	2'-1/2"	X12	FOR B		50
17	61		STUDS 3/8"	0'-4"	X4	TTW-534	59	514
18	2		1/2" WLD.	18'-0"		FOR A		NC
19	4		1/2" WLD.	2'-0"				
20	2		1/2" WLD.	24'-0"		FOR B		
21								
22								
23	2		STRINGERS			(51'-48")		
24	7		27WF94	48'-3"	X1		59	4536
25	1		BAR		X2			19
26								
27	1		BAR 7/8"	2'-1/2"	X14			19
28	1		BAR 7/8"	2'-1/2"	X15	M.I.E.		25
29	1		BAR 7/8"	2'-1/2"	X16	M.I.E.		25
30	67		STUDS 3/8"	0'-4"	X4	TTW-534	59	129
31								
32	1		1/2" WLD.	18'-0"				NC
33	1		1/2" WLD.	18'-0"				NC
34								
35								
36								
37								
38								
39								
40								
41								
42								
43								
44								
45								
46								
47								
48								
49								
50								
51								
52								
53								
54								
55								
56								
57								
58								
59								
60								
61								
62								
63								
64								
65								
66								
67								
68								
69								
70								
71								

ALLIED STRUCTURAL STEEL COMPANIES
CLINTON BRIDGE CORP. & BARR STRUCTURAL STEEL CORP. & WELLS AND STRUCTURAL STEEL CORP.
ENGINEERS - FABRICATORS - ERECTORS OF BUILDINGS AND BRIDGES
20 NORTH WACKER DRIVE CHICAGO 6, ILLINOIS

MINN. PROJ. NO. I-16 35W-3 (59) 112 DIVISION 7
STATE PROJ. NO. 2783-0340 B (7435N-334) MINN. ROAD FAB

DETAILS OF STRINGERS - FRUIT TO US
STRUCTURE BRIDGE NO. 9340
LOCATION MINNEAPOLIS, MINNESOTA
OWNER MINNESOTA STATE HWY. DEPT.
CUSTOMER MINNESOTA STATE HWY. DEPT.

CONTRACT 3142 FABCOO
274 SHEET 716



NOTES:
FOR MAT'L SPEC. SEE BILL OF MAT'L.
FOR GEN. NOTES SEE SMT. BU-1.

LINE	SHIP NO.	NO. REQ.	SHAPE	LENGTH	PC. NO.	REMARKS	ITEM NO.	TOTAL WEIGHT
1								
2								
3	71A		STRINGER (31' x 48' 3")					
4		1	27WF94	48' 3"	X1		59	4536
5		1	R10 1/2	1	X2 (BENT)		59	29
6		1	BAR 7 1/2	2	1/2 X3		59	19
7								
8		1	BAR 7 1/2	2	1/2 X5		59	19
9		1	BAR 7 1/2	1	1/2 X6	M.I.E.	59	23
10		1	BAR 7 1/2	1	1/2 X7	M.I.E.	59	23
11		53	STUDS 3/4"	0	X13	TYPE 33F	59	129
12								
13		1	1" WLD.	17	6			NL
14		1	1" WLD.	1	9			NL
15								
16								
17								
18	71B		STRINGER (31' x 48' 3")					
19		1	27WF94	48' 3"	X8		59	4536
20								
21		1	BAR 7 1/2	2	1/2 X2		59	19
22		1	BAR	1	X5		59	19
23		1	BAR 7 1/2	2	1/2 X9		59	19
24		1	BAR 7 1/2	2	0 1/2 X4	M.I.E.	59	25
25		1	BAR 7 1/2	2	0 1/2 X10	M.I.E.	59	25
26		1	R10 1/2	0	11	X11	59	23
27		53	STUDS 3/4"	0	X13	TYPE 33F	59	129
28								
29		1	1" WLD.	17	6			NL
30		1	1" WLD.	1	9			NL
31								
32								
33								
34								
35								
36								
37								
38								
39								
40								
41								
42								
43								
44								
45								
46								
47								
48								
49								
50								
51								
52								
53								
54								
55								
56								
57								
58								
59								
60								
61								
62								
63								
64								
65								
66								
67								
68								
69								
70								
71								

BID ITEM 59 = 9573

ALLIED STRUCTURAL STEEL COMPANIES
 CLINTON SANDRE CORP. - FABRICATORS OF STRUCTURAL STEEL, CORR. & REINFORCING STEEL CORP.
 ENGINEERS - FABRICATORS - ERECTORS OF BUILDINGS AND BRIDGES
 20 NORTH WACKER DRIVE CHICAGO 6, ILLINOIS

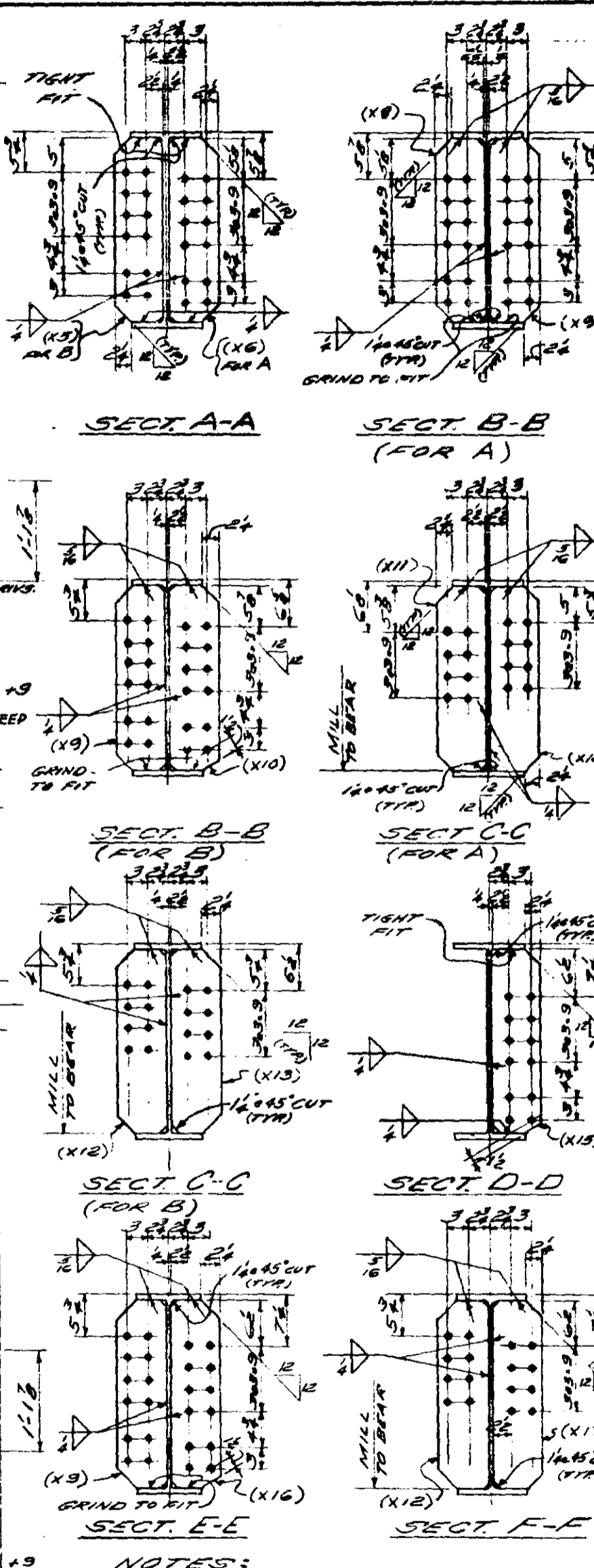
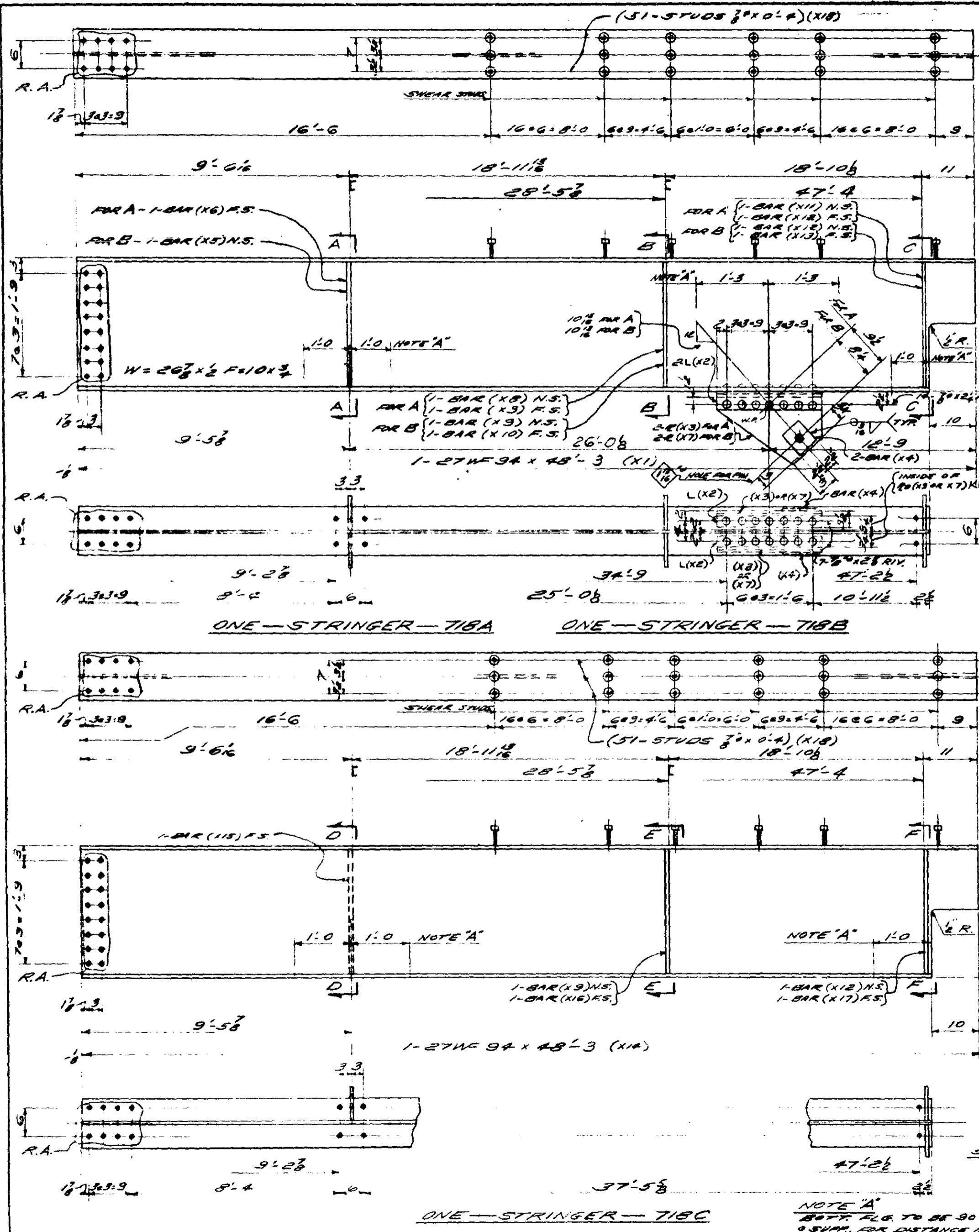
DETAILS OF **STRINGERS - RR UT TO UB**
 STRUCTURE **BRIDGE NO. 6340**
 LOCATION **MINNEAPOLIS, MINNESOTA**
 OWNER **MINNESOTA STATE HWY. DEPT.**
 CUSTOMER **MINNESOTA STATE HWY. DEPT.**

MINN. PROJ. NO. E-1635W-3 (20) 112 DIVISION # 7
 STATE PROJ. NO. E-163-3540 B (2035W-394) HAMMOND FAB.

OPEN HOLES 1 1/2" BOLTS & BOLTS YES, SEE
 DRAWN BY **TL** DATE **8/16/65** CHECKED BY **K.L.K.** DATE **8/27/66**

REVISIONS
 E-5

CONTRACT **3142** **274** SHEET **717**



ITEM NO.	QTY	SHAPE	LENGTH	PC. NO.	REMARKS	ITEM NO.	TOTAL WEIGHT	REMARKS
1								
2								
3	2	27WF94	48'-3"	X1		59	907	3006
4	2	27WF94	48'-3"	X2		59	907	3006
5	2	L4x3 1/2	1'-10"	X5	FOR A	59	67	
6	2	L4x3 1/2	0'-5 1/2"	X6	FOR A	59	10	
7	1	BAR 7/8	2'-1 1/2"	X8	FOR A	59	19	
8	1	BAR 7/8	2'-1 1/2"	X9	FOR A	59	19	
9	1	BAR 7/8	2'-1 1/2"	X10	FOR A	59	19	
10	1	BAR 7/8	2'-1 1/2"	X11	FOR A	59	19	
11	1	BAR 7/8	2'-1 1/2"	X12	FOR A	59	19	
12	2	BAR 7/8	2'-1 1/2"	X13	FOR A	59	38	
13	1	BAR 7/8	2'-1 1/2"	X14	FOR A	59	19	
14	1	BAR 7/8	2'-1 1/2"	X15	FOR A	59	19	
15	2	BAR 7/8	2'-1 1/2"	X16	FOR A	59	38	
16	1	BAR 7/8	2'-1 1/2"	X17	FOR A	59	19	
17	1	BAR 7/8	2'-1 1/2"	X18	FOR A	59	19	
18	36	STUDS 3/8"	0"	X18	TIME SPT	59	257	3006
19	36	RIVS 3/8"	0"	X18	TIME SPT	59	257	3006
20								
21	2	1/2" WLD.	2'-4"					NL
22	2	1/2" WLD.	3'-7"					
23	2	1/2" WLD.	19'-8"					
24								
25								
26								
27								
28	1	27WF94	48'-3"	X14		59	452	3006
29	1	BAR 7/8	2'-1 1/2"	X15		59	19	
30	1	BAR 7/8	2'-1 1/2"	X16		59	19	
31	1	BAR 7/8	2'-1 1/2"	X17		59	19	
32	1	BAR 7/8	2'-1 1/2"	X18		59	19	
33	1	BAR 7/8	2'-1 1/2"	X19		59	19	
34	1	BAR 7/8	2'-1 1/2"	X20		59	19	
35	1	BAR 7/8	2'-1 1/2"	X21		59	19	
36	36	STUDS 3/8"	0"	X18	TIME SPT	59	129	3006
37								
38	1	1/2" WLD.	2'-4"					NL
39	1	1/2" WLD.	19'-8"					12
40								
41								
42								
43								
44								
45								
46								
47								
48								
49								
50								
51								
52								
53								
54								
55								
56								
57								
58								
59								
60								
61								
62								
63								
64								
65								
66								
67								
68								
69								
70								
71								

NOTES:
 FOR MAT'L SPEC SEE BILL OF MAT'L.
 FOR GEN. NOTES SEE SMT. GN-1.

MINN. PROJ. NO. 1-16-35W-3 (20) 112 DIVISION # 7
 STATE PROJ. NO. 2783-3340B (TR35W-35) HAMMOND FAB.

OPEN HOLES 1/8" RIVETS & BOLTS YES, SEE PAINT SHEET GN-1
 DRAWN BY: TL DATA CHECKED BY: K.L.K. DATE: 2/1/54

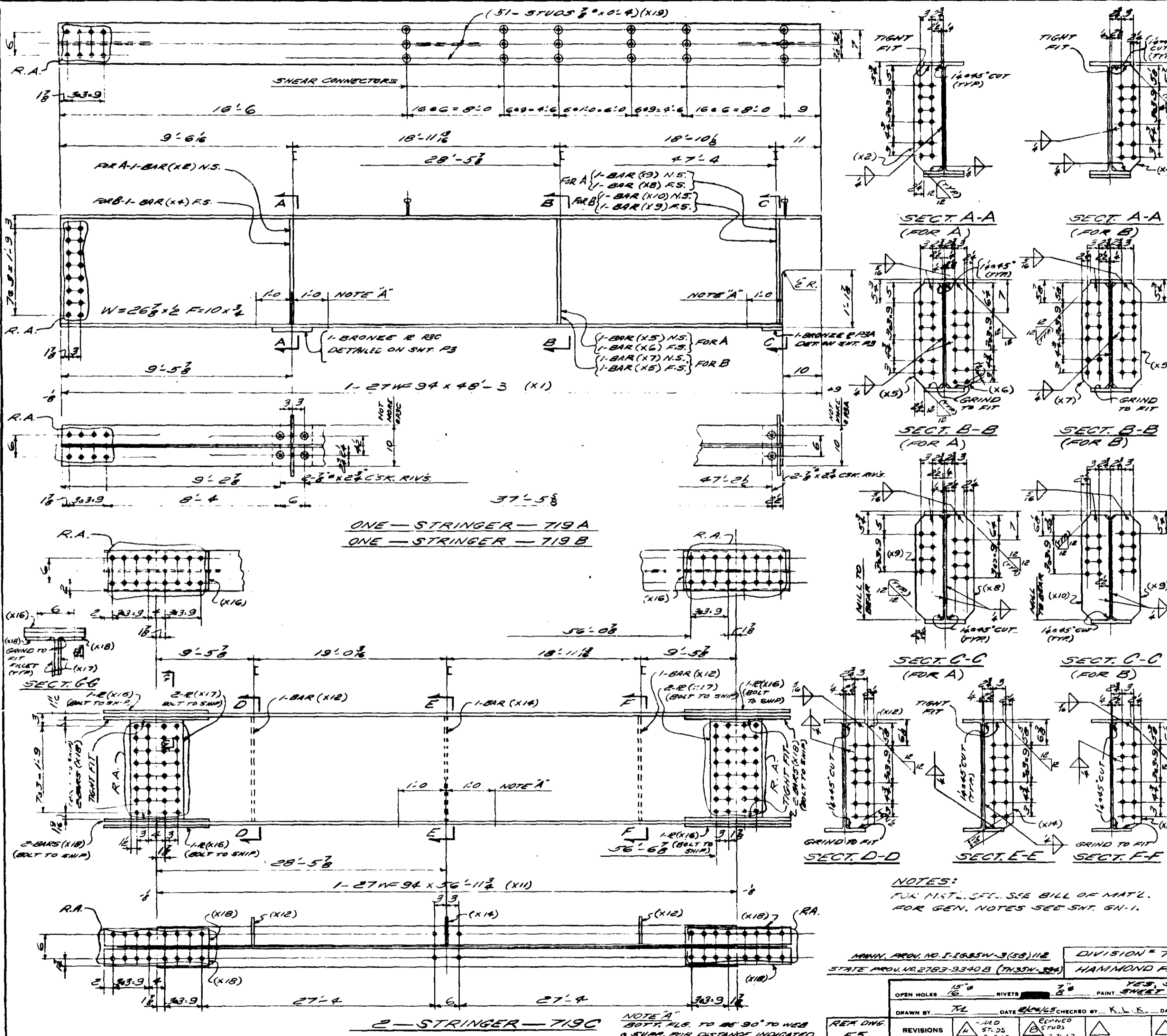
REVISIONS:

△	△	△	△
---	---	---	---

ALLIED STRUCTURAL STEEL COMPANIES
 CLINTON BRIDGE CORP. • GAGE STRUCTURAL STEEL CORP. • MIDLAND STRUCTURAL STEEL CORP.
 ENGINEERS - FABRICATORS - ERECTORS OF BUILDINGS AND BRIDGES
 20 NORTH WACKER DRIVE CHICAGO 6, ILLINOIS

DETAILS OF: STRINGERS - RR UT TO US
 STRUCTURE: BRIDGE NO. 9940
 LOCATION: MINNEAPOLIS, MINNESOTA
 OWNER: MINNESOTA STATE HWY. & ST.
 CUSTOMER: MINNESOTA STATE HWY. DEPT

CONTRACT 3142 FABCOO 274 SHEET 718



ITEM NO.	SHIP MK.	NO. REQD.	SHAPE	LENGTH	PC. REQ.	REMARKS	ITEM NO.	TOTAL WEIGHT	NET WT. STEEL
1									
2									
3	719A	ONE	STRINGER	(31' x 48' 3")					
4	719B	ONE	STRINGER	(31' x 48' 3")					
5		2	27W94	48' 3" X 11'			59	9071	3906
6		1	BAR 7 x 3/8	2 1/2" X 2'	FOR A			19	
7									
8		1	BAR 7 x 3/8	2 1/2" X 4'	FOR B			19	
9		2	BAR 7 x 3/8	2 1/2" X 5'				38	
10		1	BAR 7 x 3/8	2 1/2" X 6'	FOR A			19	
11		1	BAR 7 x 3/8	2 1/2" X 7'	FOR B			19	
12		1	BAR 7 x 3/8	2 1/2" X 8'	FOR A			19	
13		2	BAR 7 x 3/8	2 1/2" X 9'				38	
14		1	BAR 7 x 3/8	2 1/2" X 10'	FOR B			19	
15		306	STUDS 3/8"	0' 4"	X 19'		59	257	
16		2	BRONZE R		R3C				325
17		12	CSK RIV 5/8"						NC
18		2	BRONZE R		R3A				325
19		2	3/8" WLD.	19' 8"					NC
20		2	3/8" WLD.	2' 4"					NC
21									
22									
23									
24									
25									
26	719C	2	STRINGERS	(25' x 59' 2")					
27		2	27W94	56' 11 1/2" X 11'			59	10712	3906
28		4	BAR 7 x 3/8	2 1/2" X 12'				75	
29									
30		2	BAR 7 x 3/8	2 1/2" X 14'				38	
31									
32		8	E 10 x 1/2"	2' 2" X 16'	U.M.			258	
33		8	E 13 x 1/2"	2' 0 1/2" X 17'	U.M.			223	
34		16	BAR 7 x 3/8	2' 2" X 18'	U.M.		59	298	3906
35									
36		40	5/8"						NC
37									
38		2	5/8" WLD.	1' 4"					NC
39		2	5/8" WLD.	12' 0"					NC
40									
41									
42									
43									
44									
45									
46									
47									
48									
49									
50									
51									
52									
53									
54									
55									
56									
57									
58			BID ITEM	59 =	21146				
59									
60									
61									
62									
63									
64									
65									
66									
67									
68									
69									
70									
71									

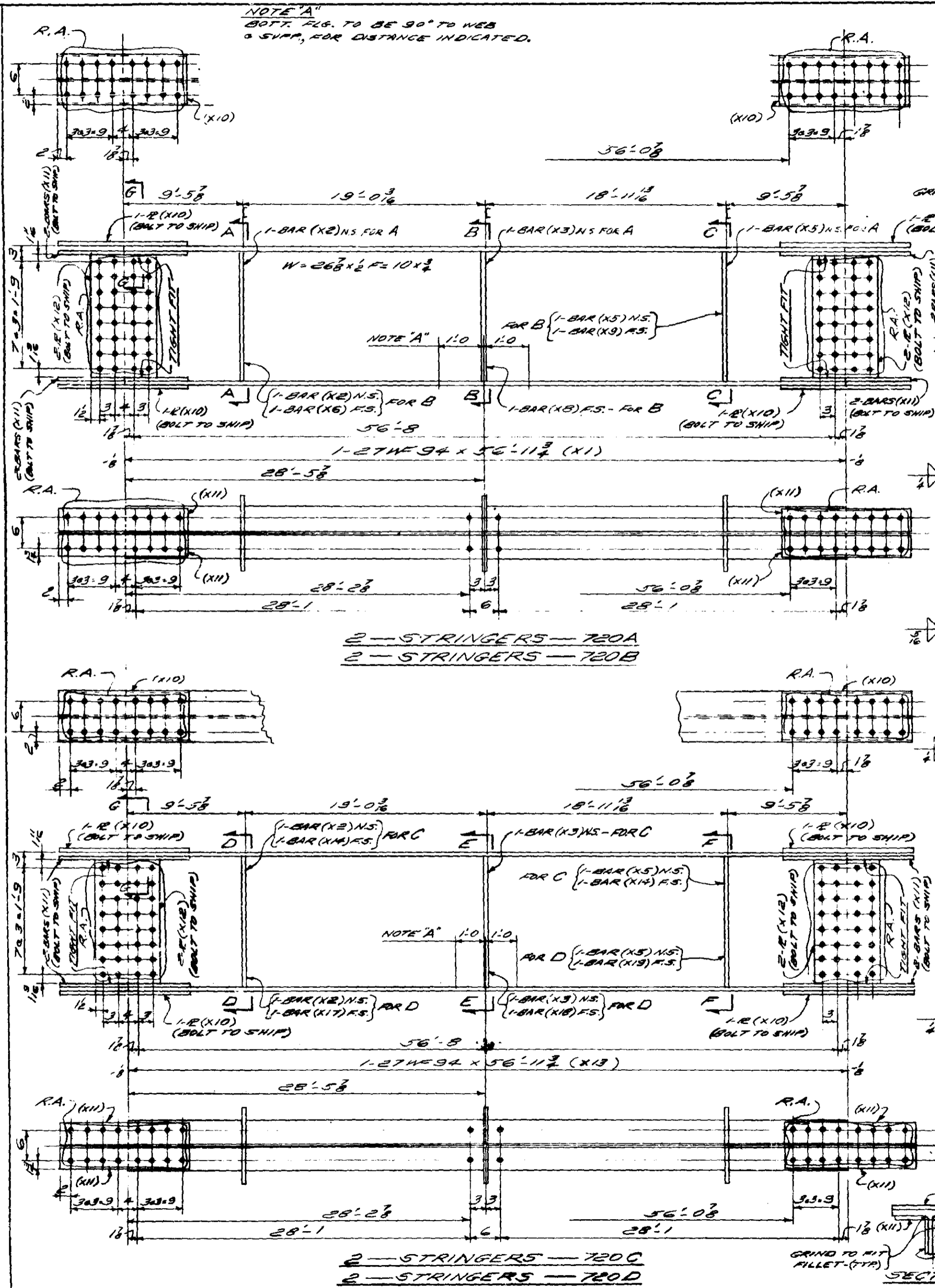
ALLIED STRUCTURAL STEEL COMPANY
 ENGINEERS, FABRICATORS, ERECTORS
 1400 10TH STREET, HARMOND, ILLINOIS, U.S.A.

DIVISION # 7
 HAMMOND FAB.
 STATE PROJ. NO. 2782-3340 B (TH35W-3340)

DETAILS OF STRINGERS - CUT TO US
 STRUCTURE BRIDGE NO. 3840
 LOCATION MINNEAPOLIS, MINNESOTA
 OWNER MINNESOTA STATE HWY. DEPT.
 CUSTOMER MINNESOTA STATE HWY. DEPT.

CONTRACT 3140 FABCOD 274 SHEET 719

DRAWN BY: RL DATE: 2/7/60 CHECKED BY: K.L.K. DATE: 2/7/60
 REVISIONS: A 2/7/60 B 2/7/60 C 2/7/60



LINE	SHIP MK.	NO. REQD.	SHAPE	LENGTH	PC. MK.	REMARKS	ITEM NO.	TOTAL WEIGHT
1								
2								
3								
4	720A	2	STRINGERS	(28' x 59' 2")				
5	720B	2	STRINGERS	(28' x 59' 2")				
6		4	27W94	56 1/2	X1		590	21424
7		4	8W57	2 1/2	X2		500	75
8		2	8W57	2 1/2	X3	PAR A	500	38
9								
10		4	8W57	2 1/2	X5		500	75
11		2	8W57	2 1/2	X6	PAR B	500	38
12								
13		2	8W57	2 1/2	X8	PAR B	500	38
14		2	8W57	2 1/2	X9	PAR B	500	38
15		16	2	10 x 16		U.M.	5911	516
16		32	8W57	2 1/2	X11	U.M.	5911	597
17		16	2	13 x 16		U.M.	5911	447
18								
19		80	S.B.					
20								
21		4	1/2" HLD.	15.9				N.C.
22		4	1/2" HLD.	1.9				N.C.
23								
24								
25	720C	2	STRINGERS	(28' x 59' 2")				
26	720D	2	STRINGERS	(28' x 59' 2")				
27		4	27W94	56 1/2	X13		590	21424
28		4	8W57	2 1/2	X2		500	75
29		4	8W57	2 1/2	X14	PAR C	500	75
30								
31								
32		4	8W57	2 1/2	X5		500	75
33								
34		2	8W57	2 1/2	X17	PAR D	500	38
35		4	8W57	2 1/2	X3		500	75
36		2	8W57	2 1/2	X8	PAR D	500	38
37		2	8W57	2 1/2	X19	PAR D	500	38
38		16	2	10 x 16		U.M.	5911	516
39		32	8W57	2 1/2	X11	U.M.	5911	597
40		16	2	13 x 16		U.M.	5911	447
41								
42		80	S.B.					N.C.
43								
44		4	1/2" HLD.	21.9				N.C.
45		4	1/2" HLD.	2.4				N.C.
46								
47								
48								
49								
50								
51								
52								
53								
54								
55								
56								
57								
58								
59								
60								
61								
62								
63								
64								
65								
66								
67								
68								
69								
70								
71								

ALLIED ENGINEERS FABRICATORS ERECTORS
STRUCTURAL STEEL COMPANY
1425 FIFTH STREET, HANNOVER, INDIANA 46220

DETAILS OF: **STRINGERS - R.A. 6 TO 17**
STRUCTURE: **BRIDGE NO. 5340**
LOCATION: **MINNEAPOLIS, MINNESOTA**
OWNER: **MINNESOTA STATE NAT. DEPT.**
CUSTOMER: **MINNESOTA STATE NAT. DEPT.**

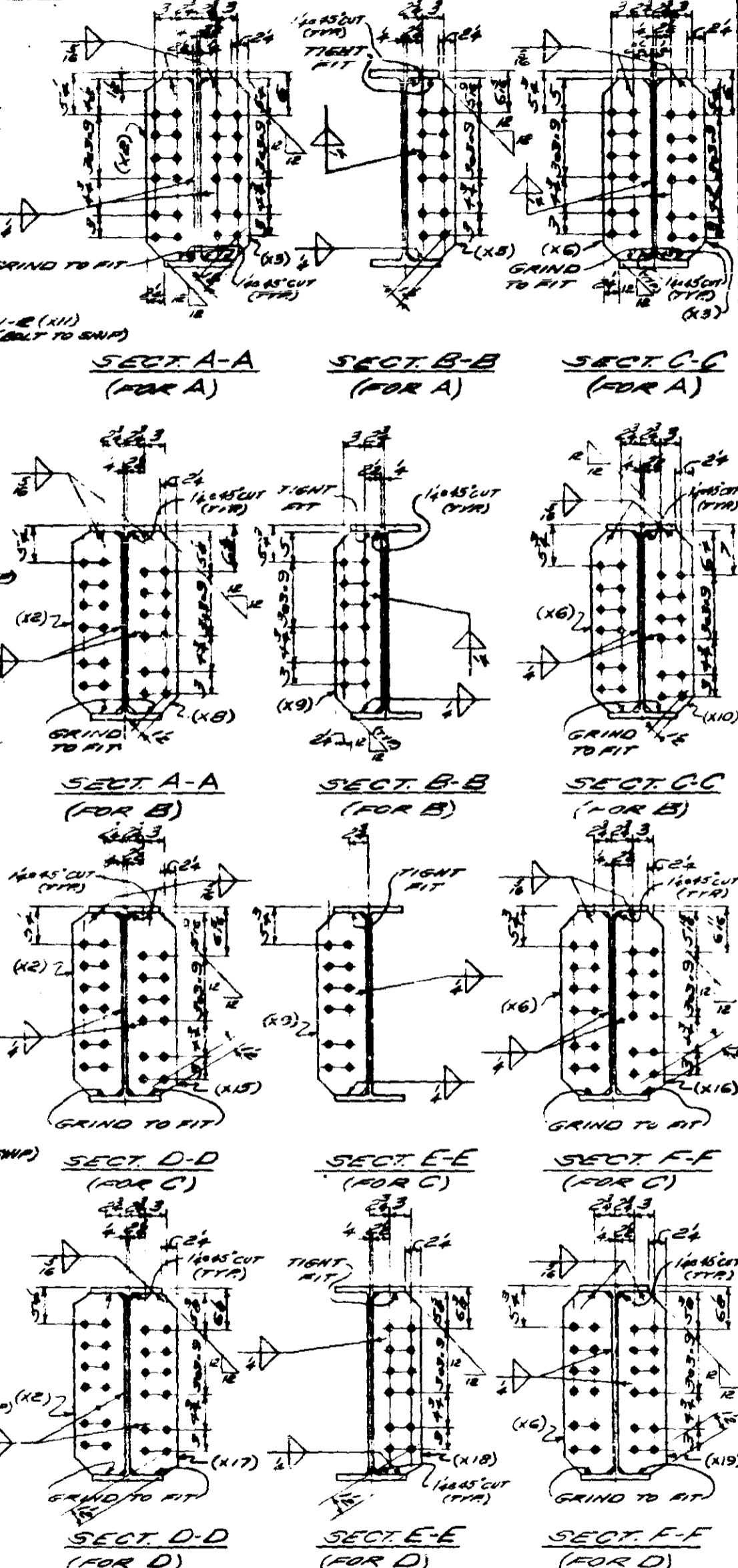
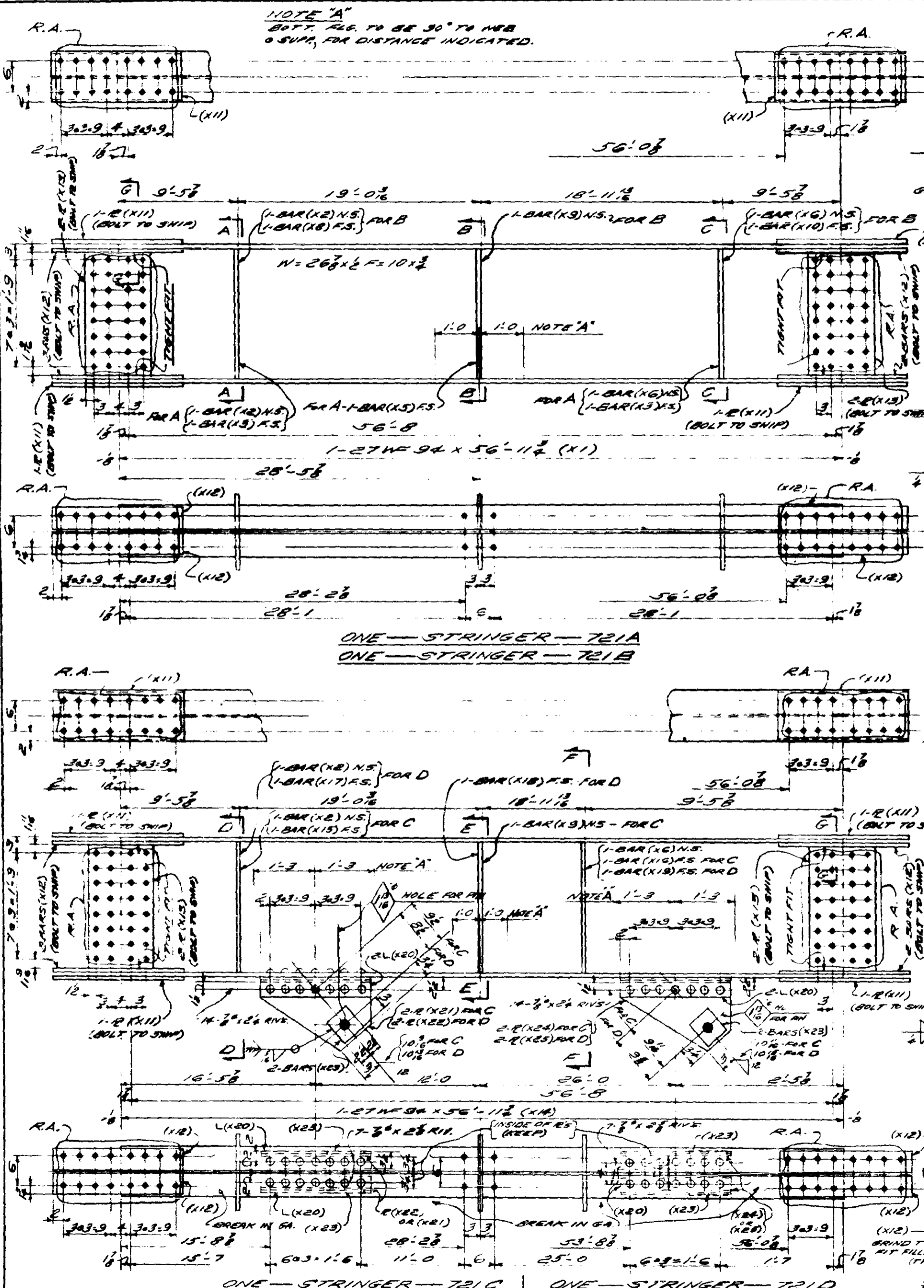
CONTRACT **3142** FABCOD **274** SHEET **720**

MINN. PROJ. NO. 1-1835W-3(8)112 DIVISION **7**
STATE PROJ. NO. 2783-9340B (P.N. 35W-334) HANNOVER FAB.

OPEN HOLES: **1/8"** RIVETS & BOLTS: **PAINT SHEET 6N-1**

DRAWN BY: **TL** DATE: **1-5-66** CHECKED BY: **K.L.K.** DATE: **2-7-66**

REVISIONS: **A** (2-17-67) **B** (3-21-67)



NO.	QTY	NO.	SHAPE	LENGTH	PC.	REMARKS	ITEM NO.	TOTAL WEIGHT
1								
2								
3								
4	2		27WF 94	56'-11 1/2"	X1		59	10712
5	2		27WF 94	56'-11 1/2"	X1		59	10712
6	2		27WF 94	56'-11 1/2"	X1		59	10712
7	2		27WF 94	56'-11 1/2"	X1		59	10712
8	2		27WF 94	56'-11 1/2"	X1		59	10712
9	2		27WF 94	56'-11 1/2"	X1		59	10712
10	1		27WF 94	56'-11 1/2"	X1		59	10712
11	2		27WF 94	56'-11 1/2"	X1		59	10712
12	2		27WF 94	56'-11 1/2"	X1		59	10712
13	1		27WF 94	56'-11 1/2"	X1		59	10712
14	1		27WF 94	56'-11 1/2"	X1		59	10712
15	1		27WF 94	56'-11 1/2"	X1		59	10712
16	2		27WF 94	56'-11 1/2"	X1		59	10712
17	16		27WF 94	56'-11 1/2"	X1		59	10712
18	2		27WF 94	56'-11 1/2"	X1		59	10712
19	2		27WF 94	56'-11 1/2"	X1		59	10712
20	40		S.B.					NC
21	2		27WF 94	56'-11 1/2"	X1		59	10712
22	2		27WF 94	56'-11 1/2"	X1		59	10712
23	2		27WF 94	56'-11 1/2"	X1		59	10712
24	2		27WF 94	56'-11 1/2"	X1		59	10712
25	2		27WF 94	56'-11 1/2"	X1		59	10712
26	2		27WF 94	56'-11 1/2"	X1		59	10712
27	2		27WF 94	56'-11 1/2"	X1		59	10712
28	2		27WF 94	56'-11 1/2"	X1		59	10712
29	2		27WF 94	56'-11 1/2"	X1		59	10712
30	2		27WF 94	56'-11 1/2"	X1		59	10712
31	1		27WF 94	56'-11 1/2"	X1		59	10712
32	1		27WF 94	56'-11 1/2"	X1		59	10712
33	2		27WF 94	56'-11 1/2"	X1		59	10712
34	2		27WF 94	56'-11 1/2"	X1		59	10712
35	1		27WF 94	56'-11 1/2"	X1		59	10712
36	1		27WF 94	56'-11 1/2"	X1		59	10712
37	1		27WF 94	56'-11 1/2"	X1		59	10712
38	1		27WF 94	56'-11 1/2"	X1		59	10712
39	2		27WF 94	56'-11 1/2"	X1		59	10712
40	16		27WF 94	56'-11 1/2"	X1		59	10712
41	2		27WF 94	56'-11 1/2"	X1		59	10712
42	2		27WF 94	56'-11 1/2"	X1		59	10712
43	2		27WF 94	56'-11 1/2"	X1		59	10712
44	2		27WF 94	56'-11 1/2"	X1		59	10712
45	2		27WF 94	56'-11 1/2"	X1		59	10712
46	2		27WF 94	56'-11 1/2"	X1		59	10712
47	2		27WF 94	56'-11 1/2"	X1		59	10712
48	16		27WF 94	56'-11 1/2"	X1		59	10712
49	40		S.B.					NC
50	2		27WF 94	56'-11 1/2"	X1		59	10712
51	2		27WF 94	56'-11 1/2"	X1		59	10712
52	2		27WF 94	56'-11 1/2"	X1		59	10712
53	2		27WF 94	56'-11 1/2"	X1		59	10712
54	2		27WF 94	56'-11 1/2"	X1		59	10712
55	2		27WF 94	56'-11 1/2"	X1		59	10712
56	2		27WF 94	56'-11 1/2"	X1		59	10712
57	2		27WF 94	56'-11 1/2"	X1		59	10712
58	2		27WF 94	56'-11 1/2"	X1		59	10712
59	2		27WF 94	56'-11 1/2"	X1		59	10712
60	2		27WF 94	56'-11 1/2"	X1		59	10712
61	2		27WF 94	56'-11 1/2"	X1		59	10712
62	2		27WF 94	56'-11 1/2"	X1		59	10712
63	2		27WF 94	56'-11 1/2"	X1		59	10712
64	2		27WF 94	56'-11 1/2"	X1		59	10712
65	2		27WF 94	56'-11 1/2"	X1		59	10712
66	2		27WF 94	56'-11 1/2"	X1		59	10712
67	2		27WF 94	56'-11 1/2"	X1		59	10712
68	2		27WF 94	56'-11 1/2"	X1		59	10712
69	2		27WF 94	56'-11 1/2"	X1		59	10712
70	2		27WF 94	56'-11 1/2"	X1		59	10712
71	2		27WF 94	56'-11 1/2"	X1		59	10712

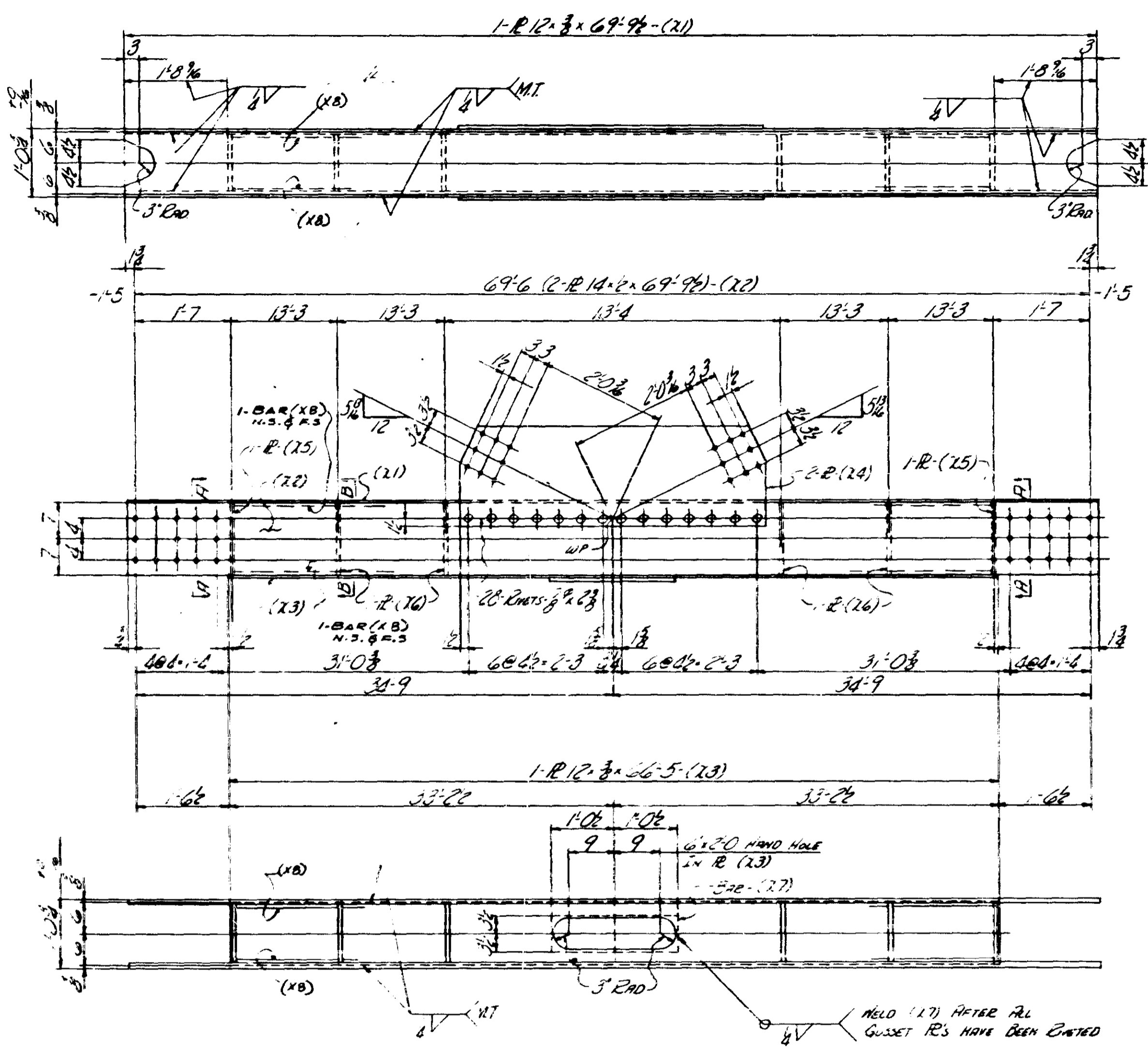
NOTES:
 FOR MAT'L SPEC. SEE BILL OF MAT'L.
 FOR GEN. NOTES SEE SH. GEN. I.
 MINN. PROJ. NO. 1-1835W-3 (58)112
 STATE PROJ. NO. 2783.9340B (YK25W-394)

REVISIONS:
 1. DATE 1-8-66 CHECKED BY K.L.K. DATE 2-7-66

ALLIED STRUCTURAL STEEL COMPANY
 1425 15TH STREET HARBOR SPRING, MINN.

DIVISION # 7
 DETAILS OF STRINGERS - RA UG TO UT
 BRIDGE NO. 9340
 LOCATION: MINNEAPOLIS, MINNESOTA
 OWNER: MINNESOTA STATE HWY. DEPT.
 CUSTOMER: MINNESOTA STATE HWY. DEPT.

CONTRACT 3142 FARGOD 274 SHEET 721



2-STRUTS-802A (DP#6+22)

SHOP NOTE
 FOR GEN NOTES SEE SMT GNI
 FOR MATL SPECS SEE BILL OF MATL
 FOR INSPECTION OF WELDS - SEE NOTE
 ON SMT GNI

MINN. FEEL. No. I-1635N-3/58/112
 STATE PROJ. No. 2783-9340B (M.L.S.N. 374)

DESIGNED BY	DATE	CHECKED BY	DATE									
R.S.W.	1/14/66	H.M.H.	2-23-66									
REVISIONS	<table border="1"> <tr> <td>1</td> <td>1/18/66</td> <td>△</td> </tr> <tr> <td>2</td> <td></td> <td>△</td> </tr> <tr> <td>3</td> <td></td> <td>△</td> </tr> </table>			1	1/18/66	△	2		△	3		△
1	1/18/66	△										
2		△										
3		△										

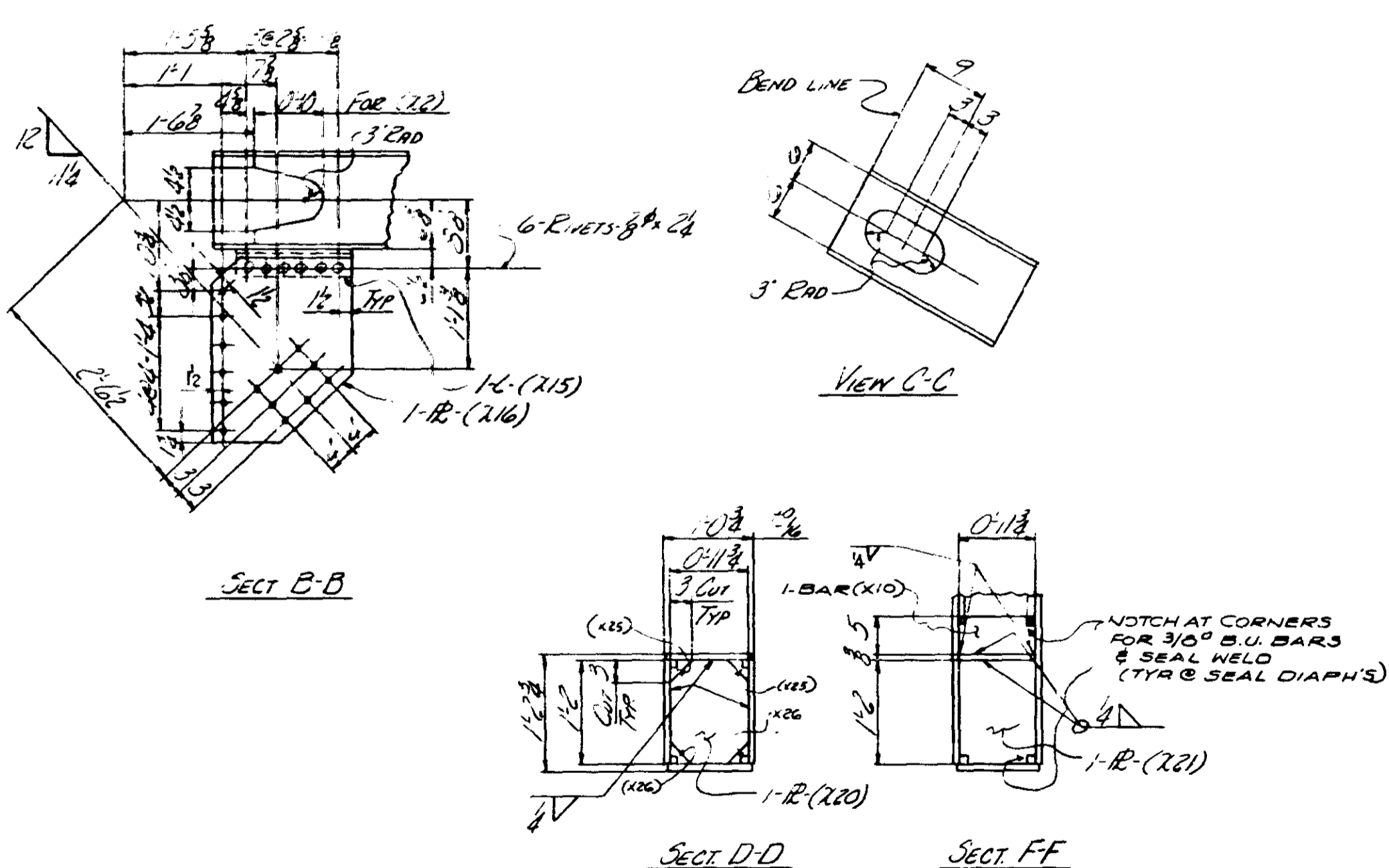
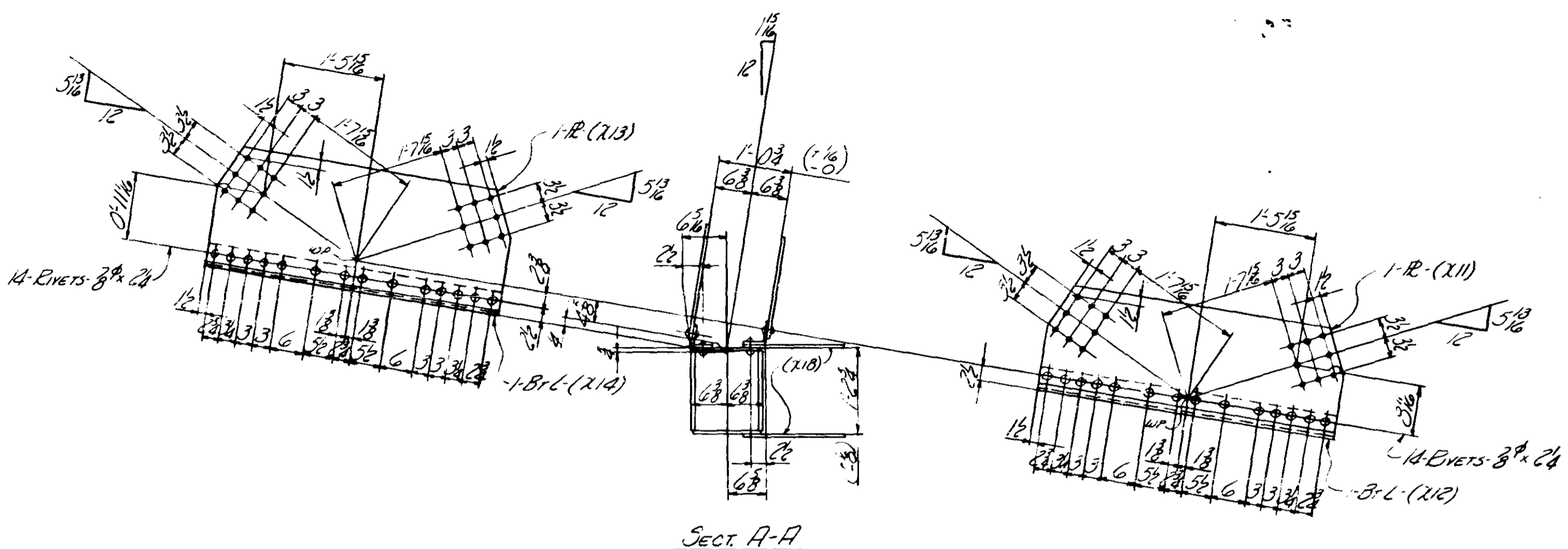
ITEM NO.	QUANTITY	GRADE	LENGTH	WT.	REMARKS	TOTAL WEIGHT
1	1	STRUT				
2						
3						
4	2	R 12x3	69'9 1/2	21		2136
5	2	R 14x2	69'9 1/2	22		2694
6	2	R 12x3	66'5	23		2032
7	4	R 19x4 1/2	5'0 1/2	28	4 SHANK	992
8	4	R 11x4 1/2	1'2	25		70
9	8	R 11x4 1/2	1'2	26		140
10	2	BAR 7x3	2'1	27		37
11						
12						
13						
14	36	3/8 BUNTS				N.C.
15						
16						
17	2	4x6x0	301'0			N.C.
18						
19						
20	5	BAR 5/8x3/8	66'3 1/2	20		255
21						
22						
23						
24						
25						
26						
27						
28						
29						
30						
31						
32						
33						
34						
35						
36						
37						
38						
39						
40						
41						
42						
43						
44						
45						
46						
47						
48						
49						
50						
51						
52						
53						
54						
55						
56						
57						
58						
59						
60						
61						
62						
63						
64						
65						
66						
67						
68						
69						
70						
71						

ALLIED STRUCTURAL STEEL COMPANY
 1100 11TH STREET, MINNEAPOLIS, MINN. 55404

DETAILS OF INTERMEDIATE STRUT @ LG 1/22

STRUCTURE: BRIDGE No. 840
 LOCATION: MINNEAPOLIS, MINN.
 OWNER: MINN. STATE HWY. DEPT.
 CUSTOMER: MINN. STATE HWY. DEPT.

CONTRACT 3142 FABCOD 264 SHEET 802



DIV	DIV	NO	SHIP	NO	SHAPE	LENGTH	PC	REMARKS	ITEM	TOTAL	
8	12		MK	REQD			MK		NO	WEIGHT	
1	1	803A	1		STEEL						
1	1	803B	1		STEEL						
4		2			R 12x3	70.24	21		402	59	2198
5		2			R 12x3	69.24	22		410		2117
6		4			R 12x3	62.84	23		407		5968
7		4			R 12x3	3.6	24	BENT	412		214
8		4			R 20x2	3.9	25		411		673
9		4			R 12x3	1.108	26		419		197
10		4			R 12x3	1.3	27		422		179
11											
12		4			BAR 3/8x3/8	0.58	29				7
13		4			BAR 5/8x3/8	0.11	30		413		25
14		2			R 17x3	4.13	31		414		196
15		2			L 4x4	4.43	32	BENT	415		86
16		2			R 20x3	4.43	33		415		229
17		2			L 4x4	4.43	34	BENT	416		86
18		4			L 4x4	1.43	35		427		53
19		4			R 20x3	2.23	36		420		235
20											
21		4			R 18x3	3.43	38		417		320
22		2			BAR 7/8x3/8	2.1	39		406		37
23		12			R 11x3	1.2	40		407		210
24		4			R 12x3	1.2	41		407		70
25		4			R 20x3	3.9	42		411	59	673
26											
27											
28											
29					2 3/8\"/>						
30											
31											
32											
33					2 4\"/>						
34											
35											
36											
37					4 BAR 3/8x3/8	1.3	43			59	2
38					4 BAR 3/8x3/8	2.2	44				9
39					4 BAR 3/8x3/8	64	45				129
40					4 BAR 3/8x3/8	70.24	46				135
41											
42											
43											
44											
45											
46											
47											
48											
49											
50											
51											
52											
53											
54											
55											
56											
57											
58											
59											
60											
61											
62											
63											
64											
65											
66											
67											
68											
69											
70											
71											

SHOP NOTE
 FOR GEN NOTES SEE SHT GNI
 FOR MATL SPECS SEE BILL OF MATL
 FOR INSPECTION OF WELDS SEE
 NOTE ON SHT. GNI
 MINN FEED No. I-IG.35W-3(58)112
 STATE FEED No. 2783-73408(14.35W-39)

ALLIED STRUCTURAL STEEL COMPANY
 1115 15TH STREET, HAMMOND, INDIANA 46320

DETAILS OF: BOTTOM STEEL @ 166 & 168
 STRUCTURE: BRIDGE No. 7320
 LOCATION: MONROEVILLE, MINN.
 OWNER: MINN. STATE HIGH DEPT.
 CUSTOMER: MINN. STATE HIGH DEPT.

CONTRACT: 3142 FABCOO: 264 SHEET: 803A

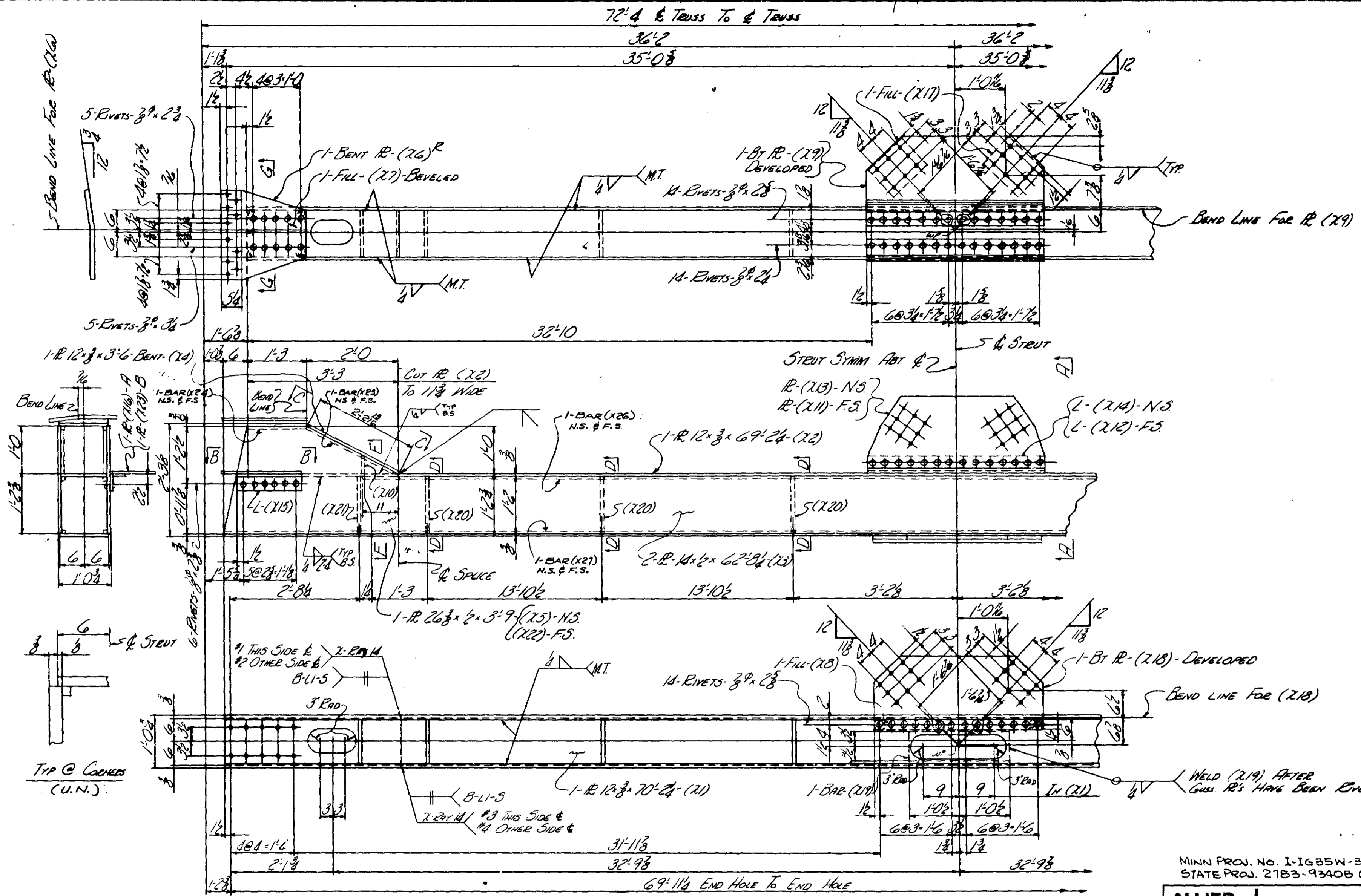
HAMMOND - 78

OPEN HOLES: 3/8" RIVETS & BOLTS: 3/8" PAINT: Yes See SHT GNI

DRAWN BY: R.E.M. DATE: 1/14/66 CHECKED BY: H.M.H. DATE: 2-23-66

REVISIONS: 11-18-66

Ref DWGS: E11 & E14

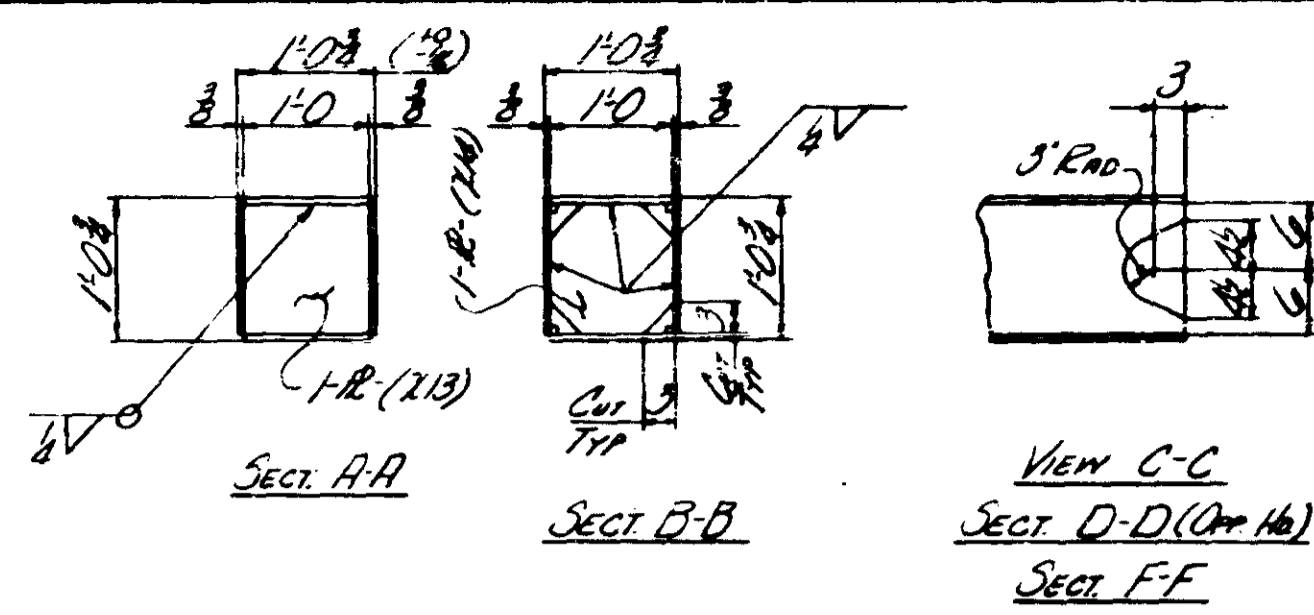
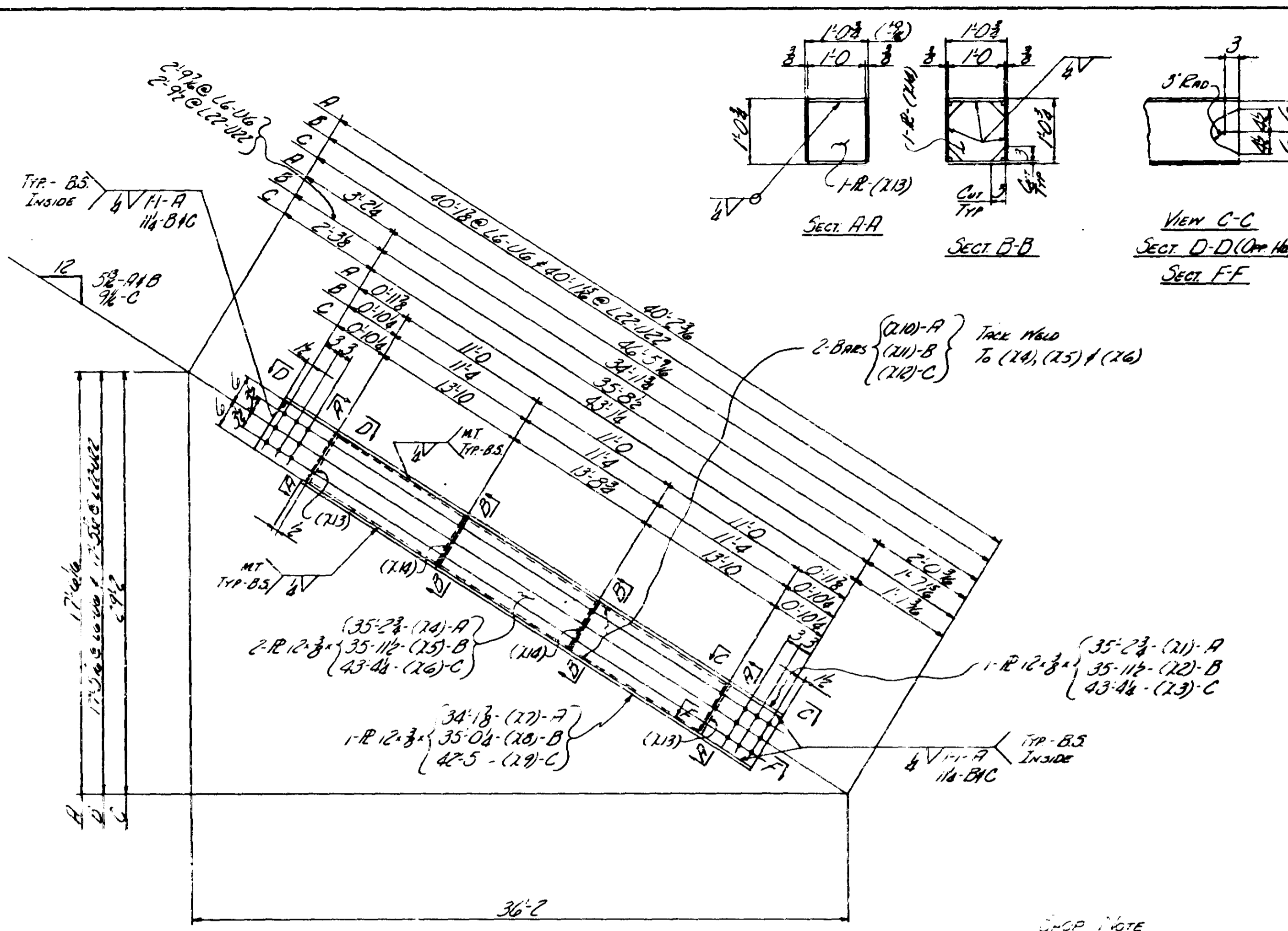


ONE - STEUT. 804A
 ONE - STEUT. 804B

MINN PROJ. NO. 1-1685W-3(58)112
 STATE PROJ. 2783-9340B (TH85W-394)

ALLIED		STRUCTURAL STEEL COMPANY	
ENGINEERS FABRICATORS ERECTORS		1212 12TH STREET, MINNEAPOLIS, MINN.	
DETAILS OF <u>BOTTOM STEUT @ 15 & 123</u>			
STRUCTURE <u>BRIDGE No 9340</u>			
LOCATION <u>MINNEAPOLIS, MINN.</u>			
OWNER <u>MINN STATE HWY DEPT</u>			
CUSTOMER <u>MINN STATE HWY DEPT</u>			
CONTRACT	FABCOD	SHEET	
3142	264	8044B	

OPEN HOLES	RIVETS & BOLTS	PAINT
DRAWN BY <u>R.S.M.</u>	DATE <u>1/14/66</u>	CHECKED BY <u>H.M.H.</u> DATE <u>2-23-66</u>
REVISIONS	11-18-66	



NO.	QTY	DESCRIPTION	LENGTH	WEIGHT	TOTAL WEIGHT
1	4	805A BEARING			
2					
3					
4	4	R 12.3	35.24	21	187 59 2156 3326
5	4	R 12.3	35.24	24	187 59 2156 3326
6	4	R 12.3	34.78	27	187 59 2156 3326
7	4	R 12.3	35.04	20	187 59 2156 3326
8	4	R 12.3	1.0	28	187 59 2156 3326
9	4	R 12.3	1.0	24	187 59 2156 3326
10					
11					
12	4	4 W6	158.4		NC
13					
14					
15					
16					
17					
18					
19					
20					

NO.	QTY	DESCRIPTION	LENGTH	WEIGHT	TOTAL WEIGHT
21	4	805A BEARING			
22					
23					
24	2	R 12.3	35.12	22	187 59 2201 3326
25	2	R 12.3	35.12	25	187 59 2201 3326
26	4	R 12.3	35.04	20	187 59 2201 3326
27	4	R 12.3	33.18	20	187 59 2201 3326
28	4	R 12.3	1.0	28	187 59 2201 3326
29	4	R 12.3	1.0	24	187 59 2201 3326
30					
31					
32	4	4 W6	158.7		NC
33					
34					
35					
36					
37					
38					
39					

NO.	QTY	DESCRIPTION	LENGTH	WEIGHT	TOTAL WEIGHT
40					
41					
42					
43					
44	4	R 12.3	41.44	23	187 59 2453 3326
45	4	R 12.3	41.44	24	187 59 2453 3326
46	4	R 12.3	42.5	29	187 59 2453 3326
47	4	R 12.3	41.44	20	187 59 2453 3326
48	4	R 12.3	1.0	28	187 59 2453 3326
49	4	R 12.3	1.0	24	187 59 2453 3326
50					
51					
52	4	4 W6	228.7		NC
53					
54					
55					
56					
57					
58					
59					
60					
61					
62					
63					
64					
65					
66					
67					
68					
69					
70					
71					

- 4 BEARING - 805A (PP*6 + 22)
- 4 BEARING - 805B (PP*6 + 22)
- 4 BEARING - 805C (PP*5 + 23)

SHOP NOTE
 FOR GEN NOTES SEE SHT GNI
 FOR MATL SPECS SEE BILL OF MATL
 FOR INSPECTION OF WELDS SEE NOTE ON SHT. GNI
 MINN PROJ No 17635W-3158/112
 STATE PROJ No 2183 9841B (7135W-394)

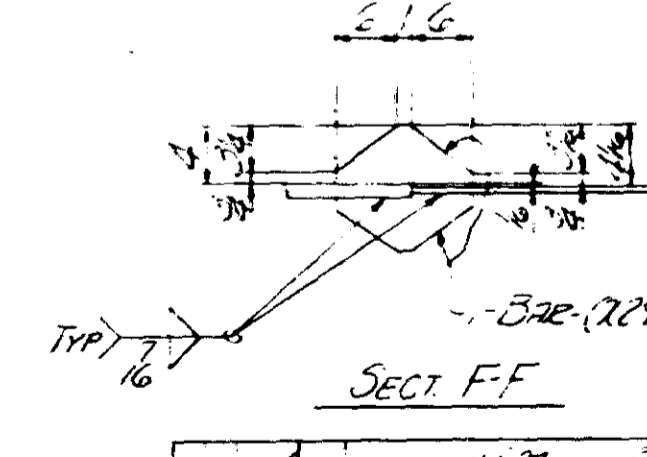
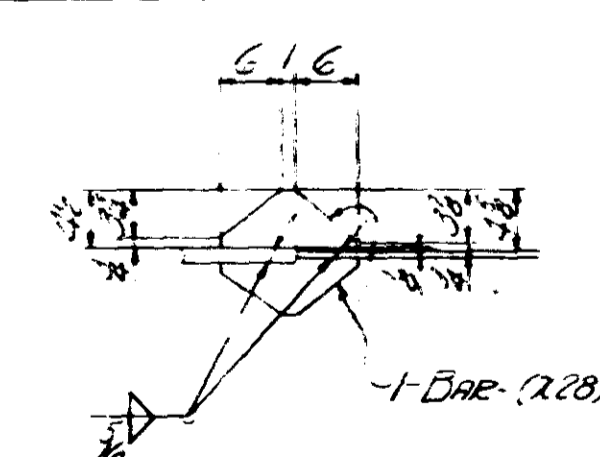
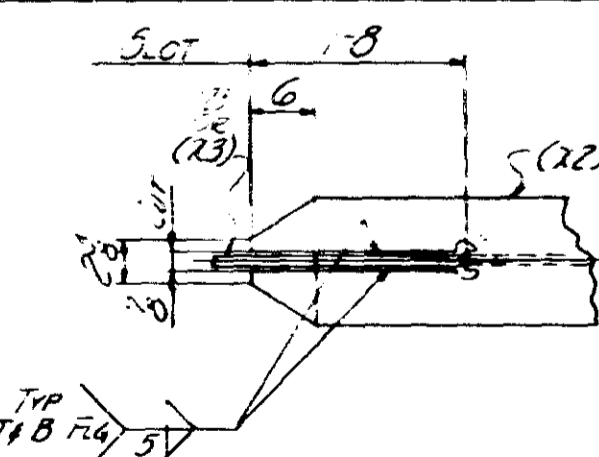
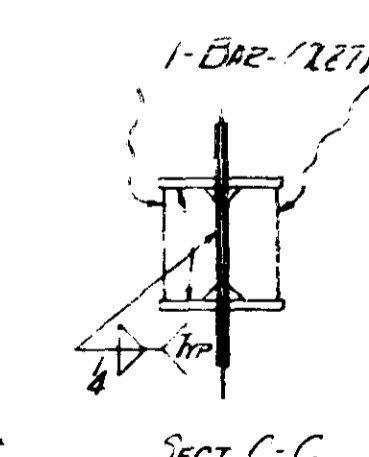
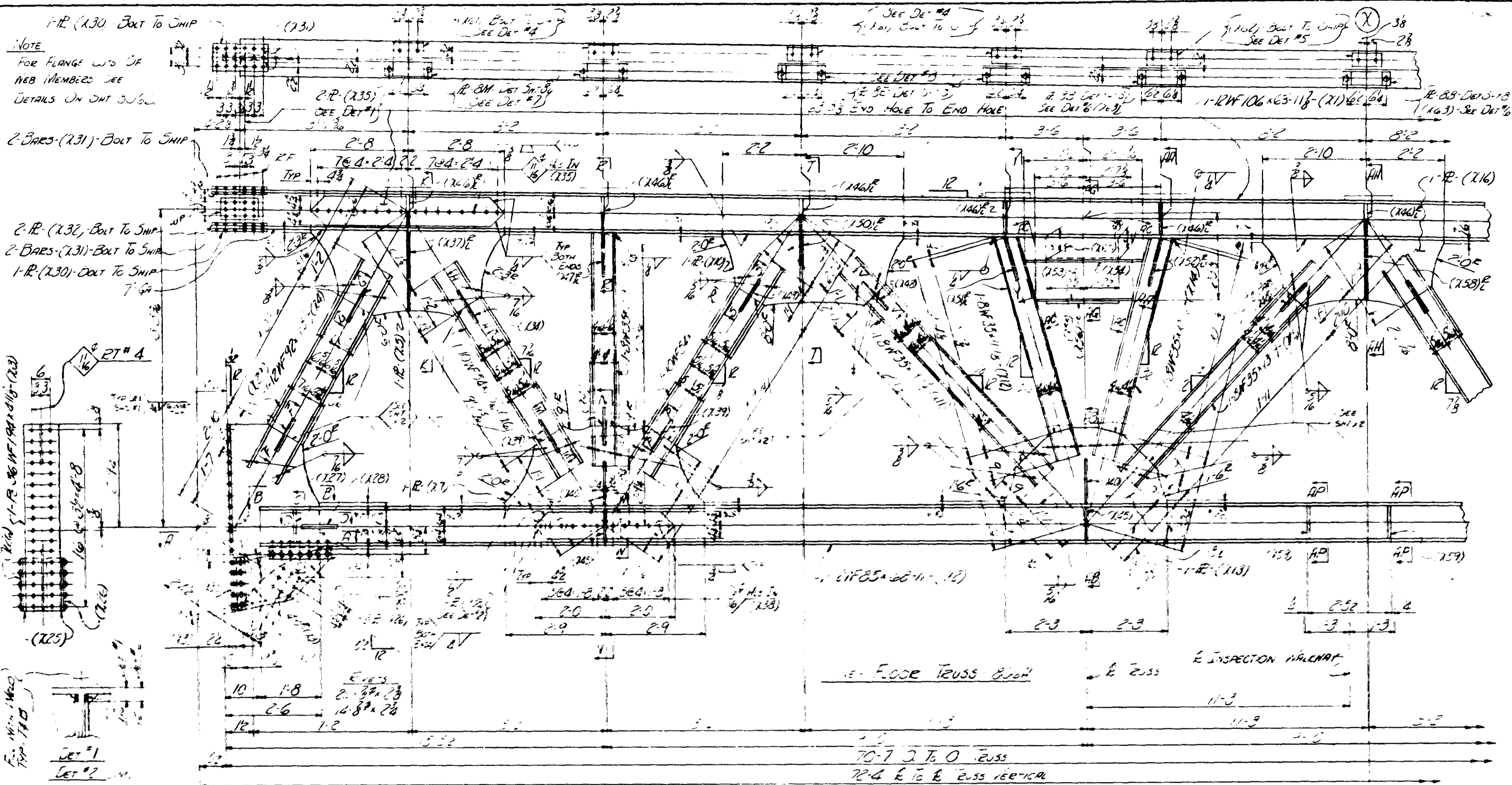
ALLIED STRUCTURAL STEEL COMPANY
 1100 10TH STREET, MINNEAPOLIS, MINN. 55403
 DETAILS OF: WYBE BEARING
 STRUCTURE: BRIDGE No. 3340
 LOCATION: MINNEAPOLIS, MINN.
 OWNER: MINN. STATE HIGH DEPT
 CUSTOMER: MINN STATE HIGH DEPT

CONTRACT: 3142 FABCODE: 264 SHEET: 805

HAMMOND PROJ
 OPEN HOLES: 15 RIVETS & BOLTS: See SHT GNI
 DRAWN BY: RSZ DATE: 11/26/66 CHECKED BY: H.M.H. DATE: 12/23/66

REVISIONS: △ △ △ △

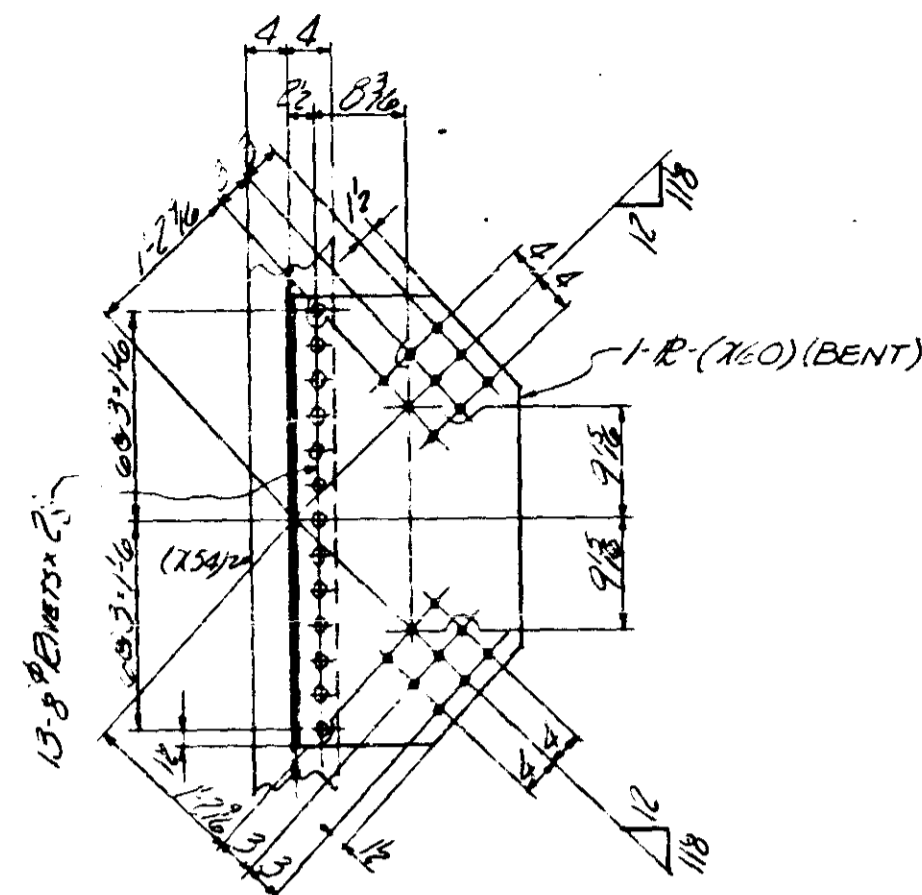
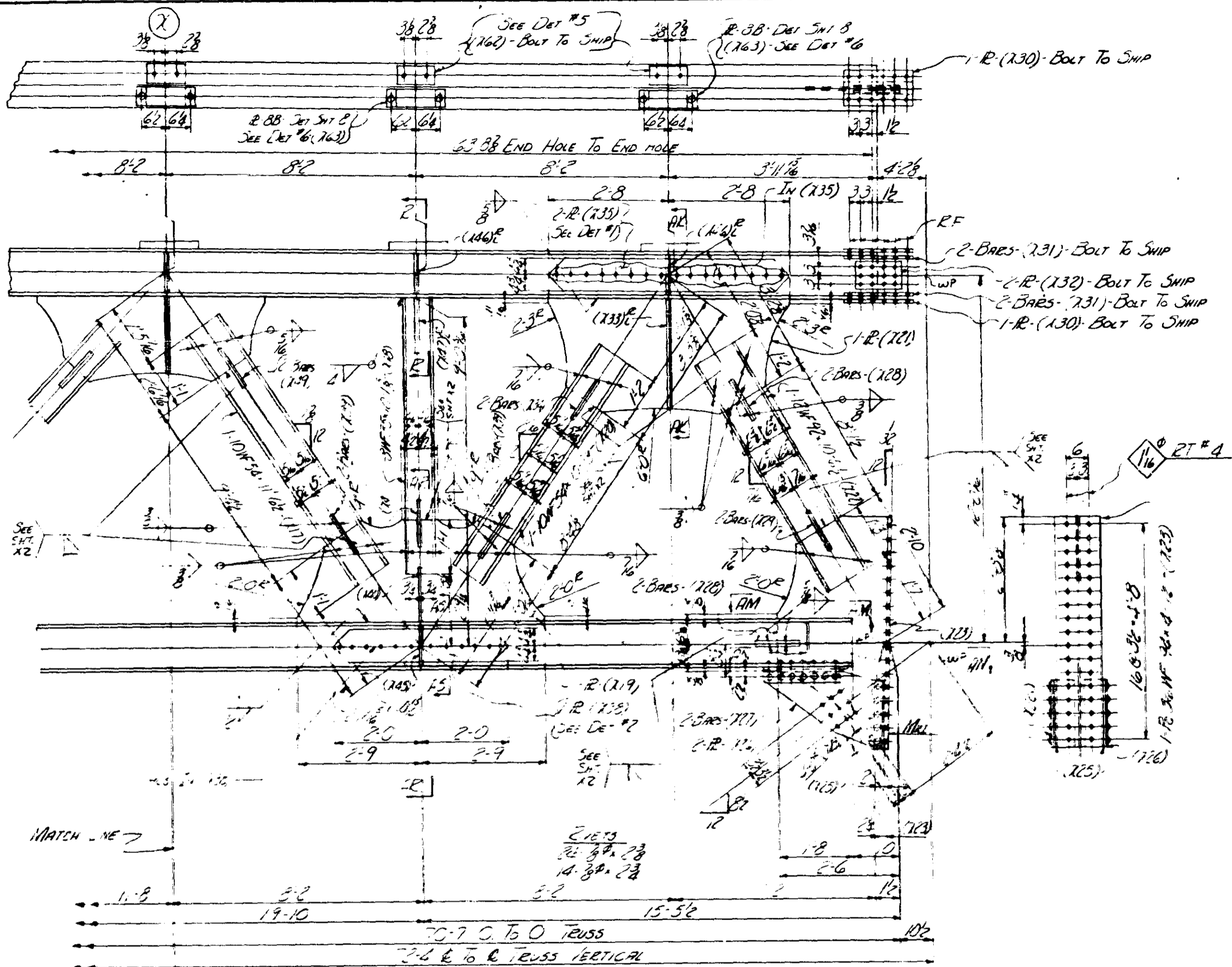
REF DIMS: E114 E18



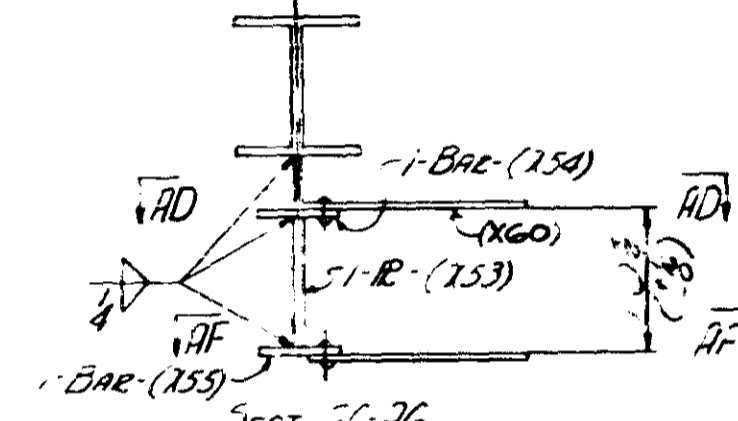
MICRO-FILMED
 MINN. PROJ. NO. 1-1635W-3(C5B)112
 STATE PROJ. NO. 2183-9340B (TN35W-3W)

ALLIED ENGINEERS FABRICATORS ERECTORS		STRUCTURAL STEEL COMPANY 1212 12TH STREET, MINNEAPOLIS, MINN.	
DRAWN BY: A.S. 7/6 DATE: 7/6		DETAILS OF: FLOOR TRUSS @ J4	
CHECKED BY: A.S. DATE: 7/6		STRUCTURE: BRIDGE No. 7340	
IN CHARGE OF: CLINTON		LOCATION: MINNEAPOLIS, MINN.	
FAB PLANT: CLINTON		OWNER: MINN. STATE HWY. DEPT.	
REFERENCE DWGS:		CONTRACT: 3142	
		DIV.:	
		FABCODE: 244	
		SHEET: 806AD	

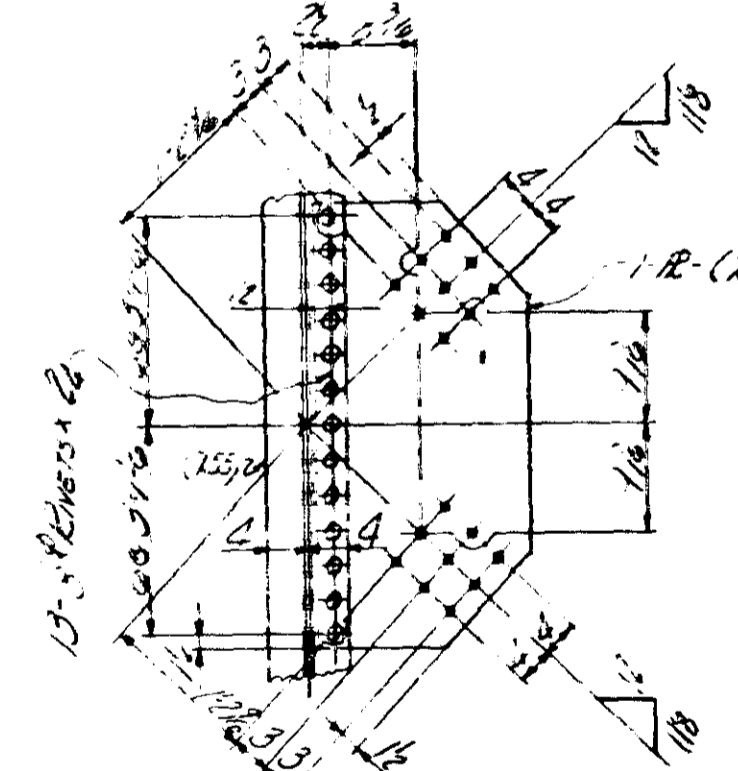
REVISIONS	DATE	BY



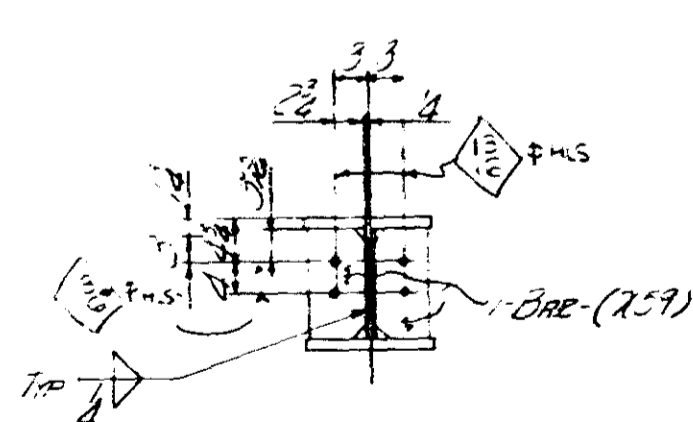
SECT AD-AD



SECT AG-AG



SECT CF-CF



SECT AP-AP

MINN. PROJ. NO. I-IG 35W-3(58)112
 STATE PROJ. NO. 2783-9340B (TH 35W-394)

ALLIED STRUCTURAL STEEL COMPANY
 1225 SOUTH STREET, MINNEAPOLIS, MINN. 55404

REVISIONS	DRAWN BY: <i>ESM</i> DATE: <i>9-2-64</i>	DETAILS OF: <i>FLOOR TRUSS @ 16</i>
	CHECKED BY: <i>W.K.</i> DATE: <i>9-2-64</i>	STRUCTURE: <i>BRIDGE No. 9340</i>
	IN CHARGE OF:	LOCATION: <i>MINNEAPOLIS, MINN.</i>
	FAB. PLANT: <i>CLINTON</i>	OWNER: <i>MINN. STATE HWY. DEPT.</i>
REFERENCE DWGS:	CONTRACT: <i>3142</i>	DIV: <i>244</i>
		FAB. CODE: <i>244</i>
		SHEET: <i>806 BD</i>